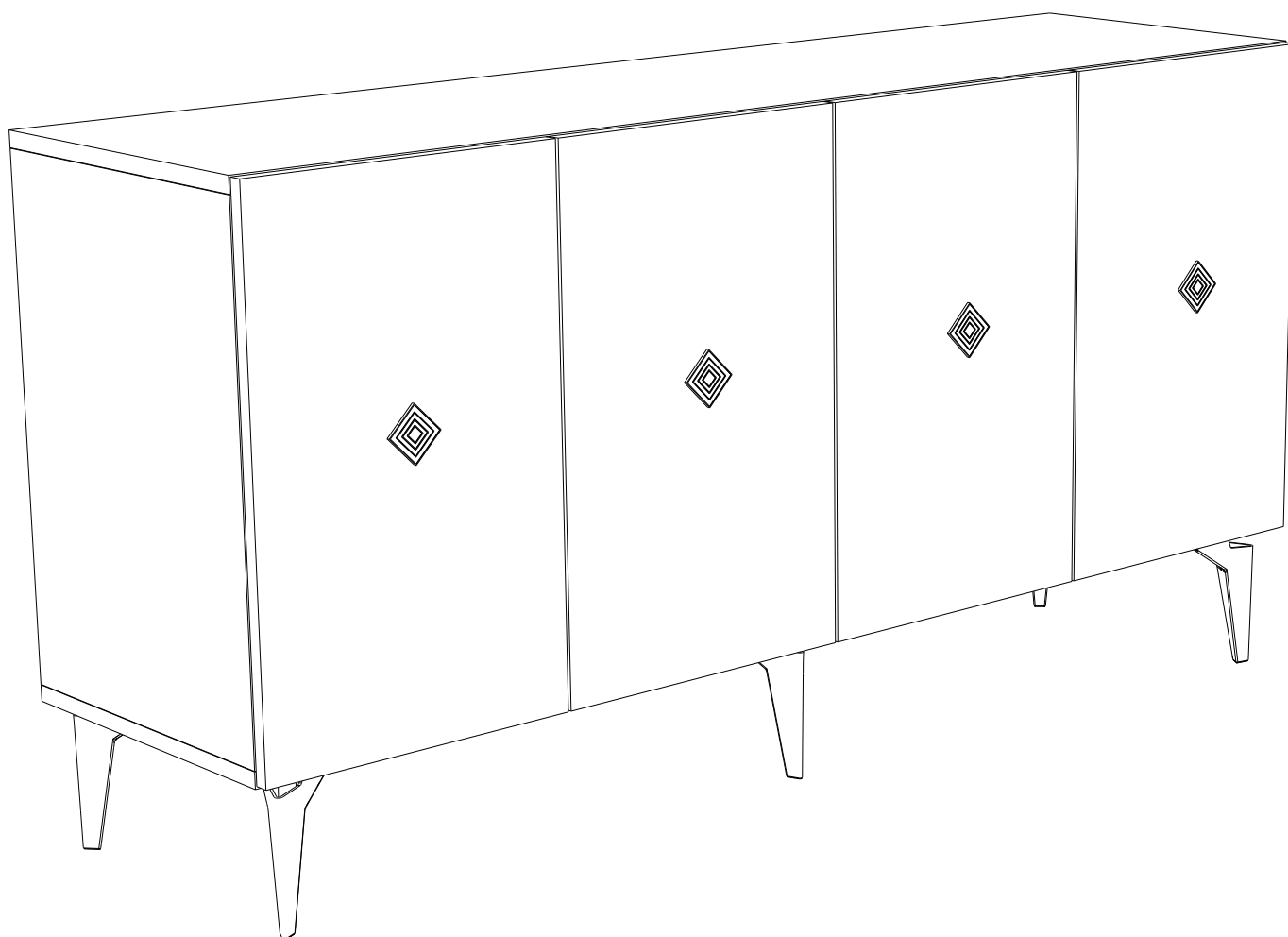


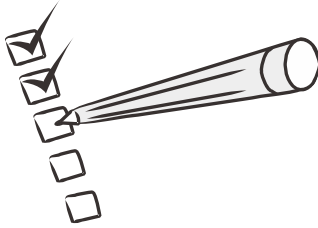
LOTUS KONSOL



Dear Customer,

We design and produce our products for people to love and have fun with them as we do.

The product you bought was subjected to all sorts of tests and control before sending out to you.



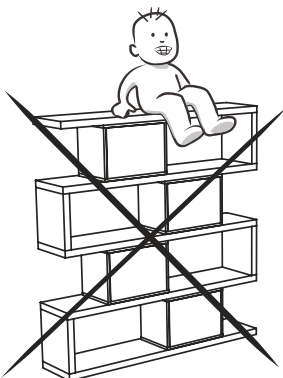
Before start assembling, please check the whole components and accessories according to the lists. If you bought more than one product, to prevent confusion be sure that you completed the first product. Then start the other product's assembling.



Before start assembling, please clean all the components with a damp cloth. Also for usual cleaning, this will be enough.



Although all the products are produced and packed carefully, sometimes happen that some component is damaged during the transportation. In such a case please check the missing or damaged part and do not hesitate to contact us. You can send e-mail to info@xxxxxxxxxxxxxxxx.com or reach us at xx xxx xxx xx xx

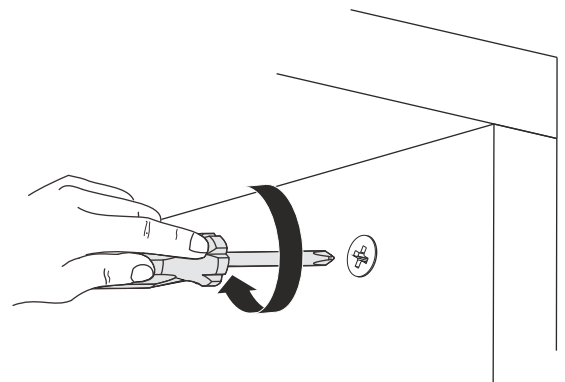
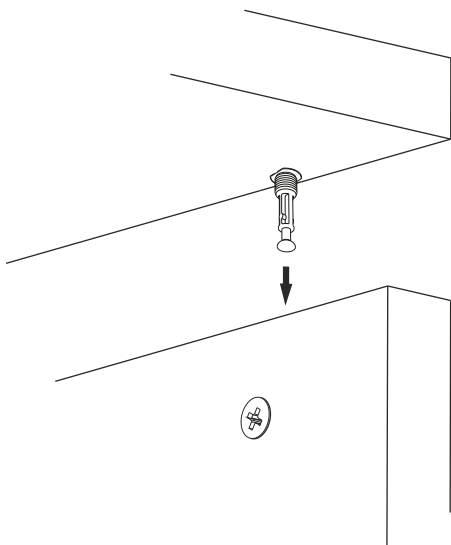
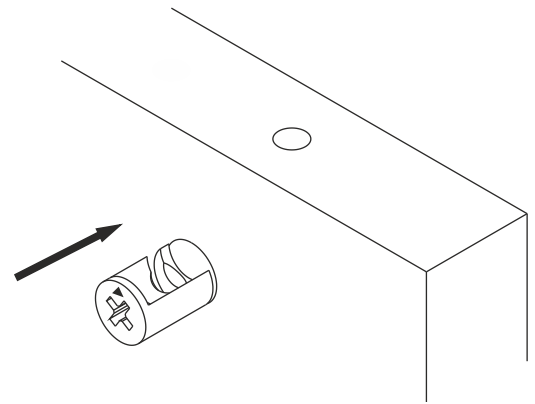
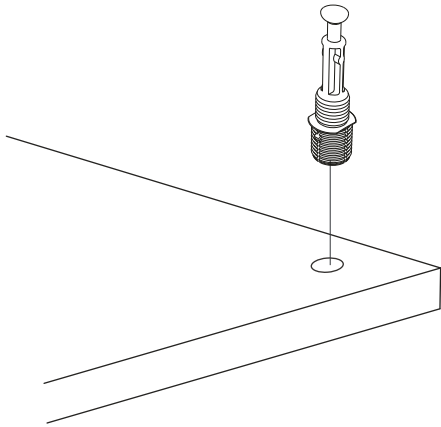
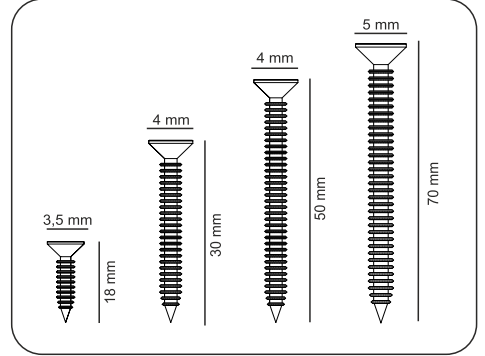
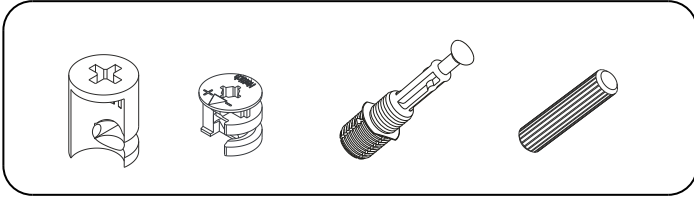


Do not use your furniture for out of purposes. If you would like to use it, please contact us for further questions.

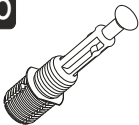

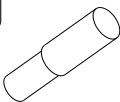
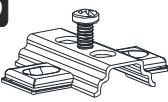

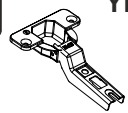
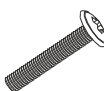

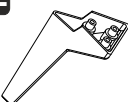




Do not directly contact your furniture with excessive heat, cold and humidity because the product can be affected..

ATTENTION !!

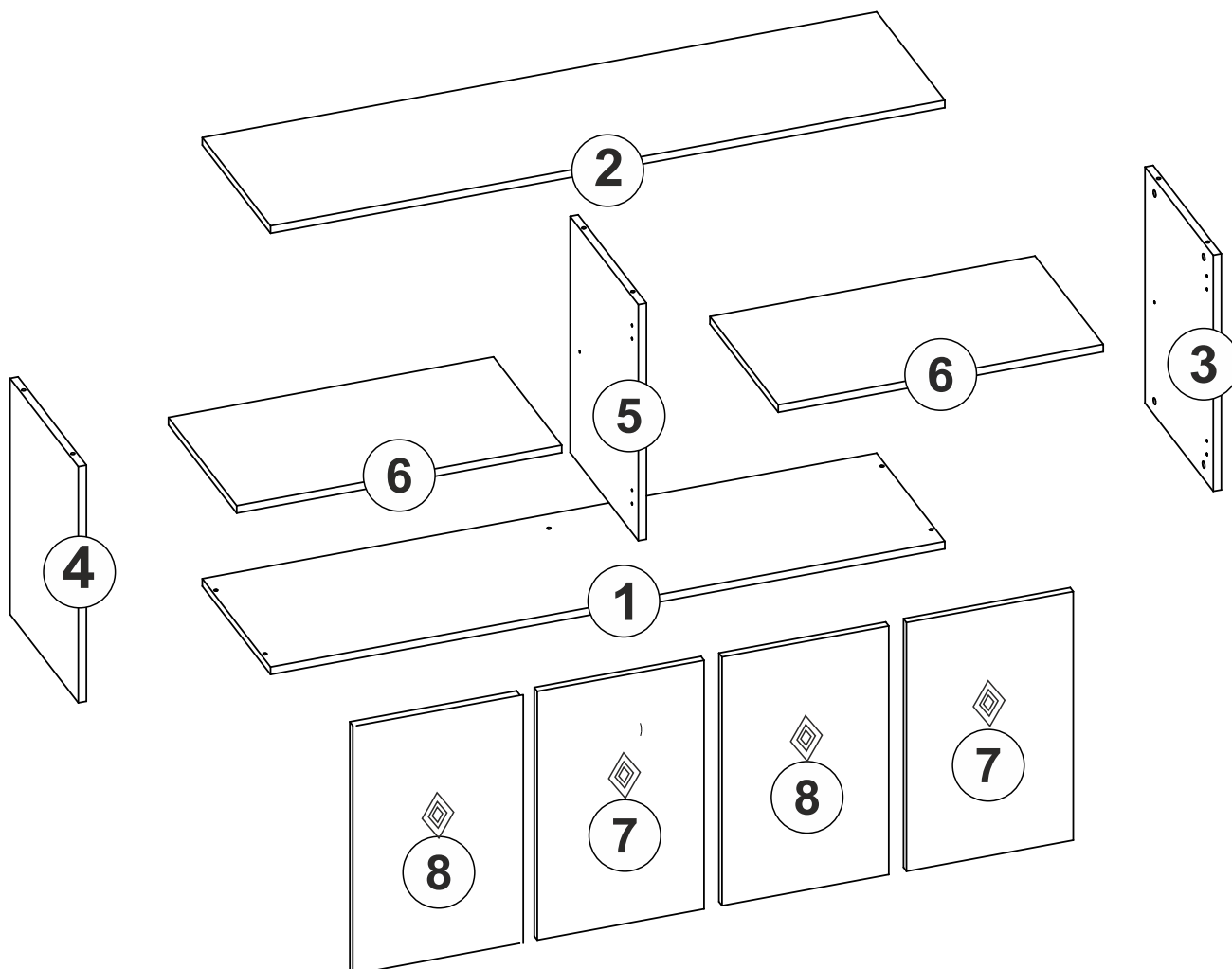
Minifix is the main connection material used in products. Before starting assembly, please check the drawings below.



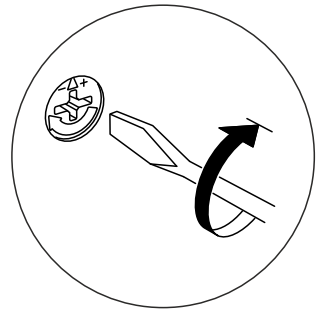
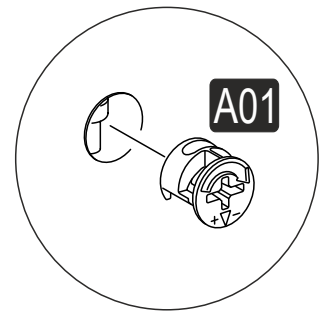
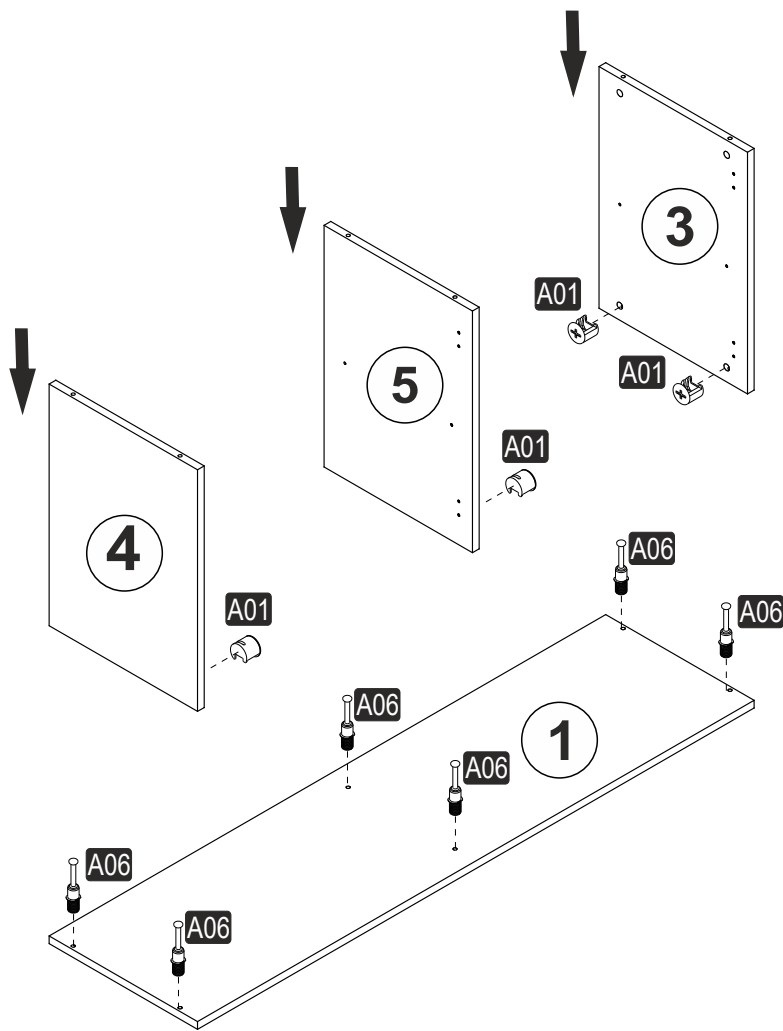
ACCESSORY LIST

A06 Minifix M8  12x	A01 Minifix G18  12x	A23 RP  8x	A13 MA  8x	A12 DM  4x
A41 YRMDV  4x	A49 KLPVD 20mm  4x	A10 3,5x18  32x	A52 ELEGANS AYAK  5x	A50 KARE KULP  4x
A28 AC  36x	A04 Minifix Tapa  12x	A10 3,5x30  15x		

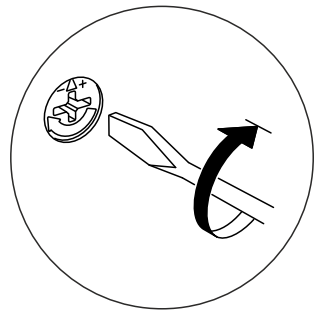
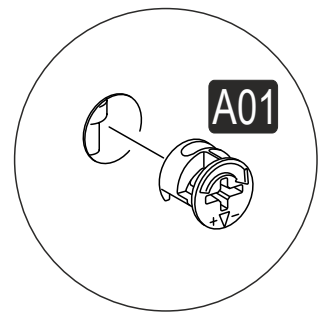
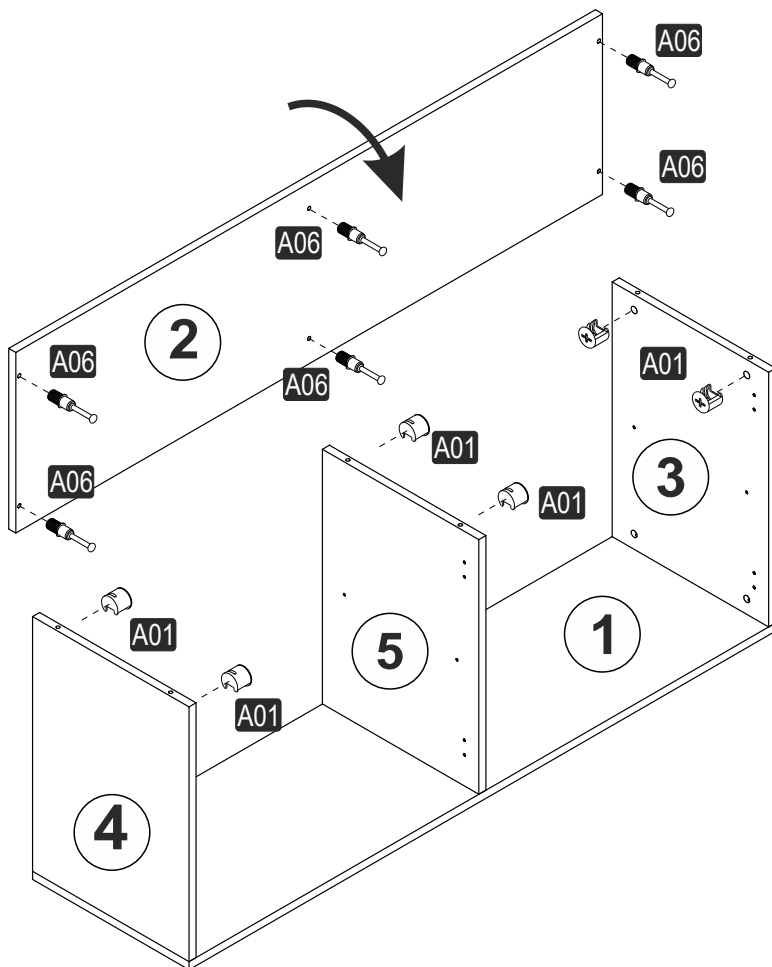
GENERAL VIEW



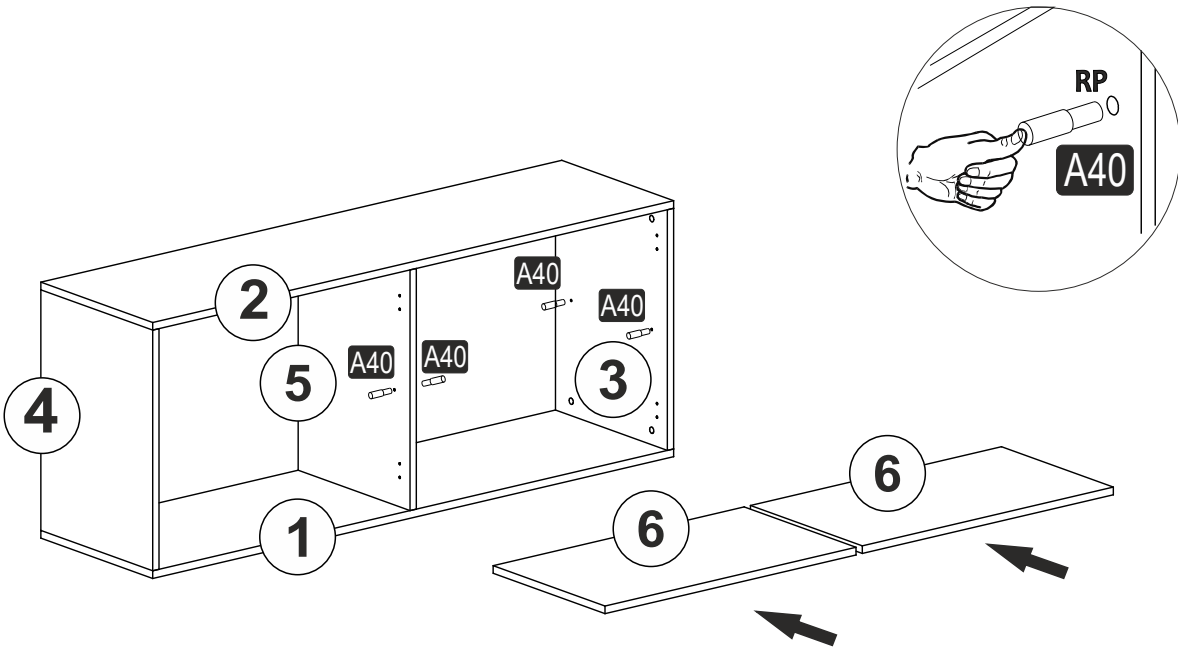
1



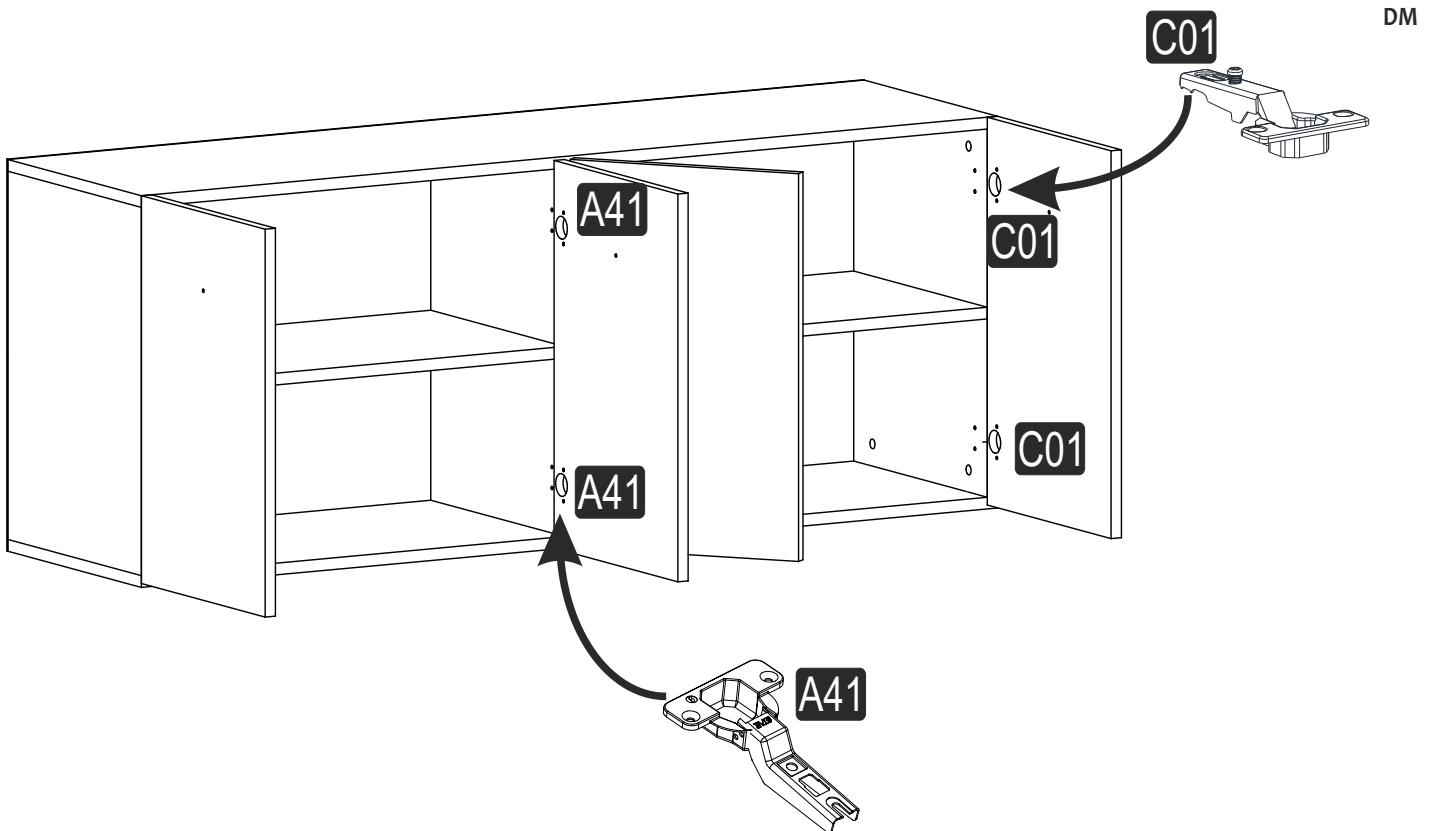
2



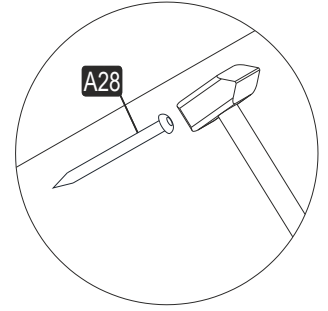
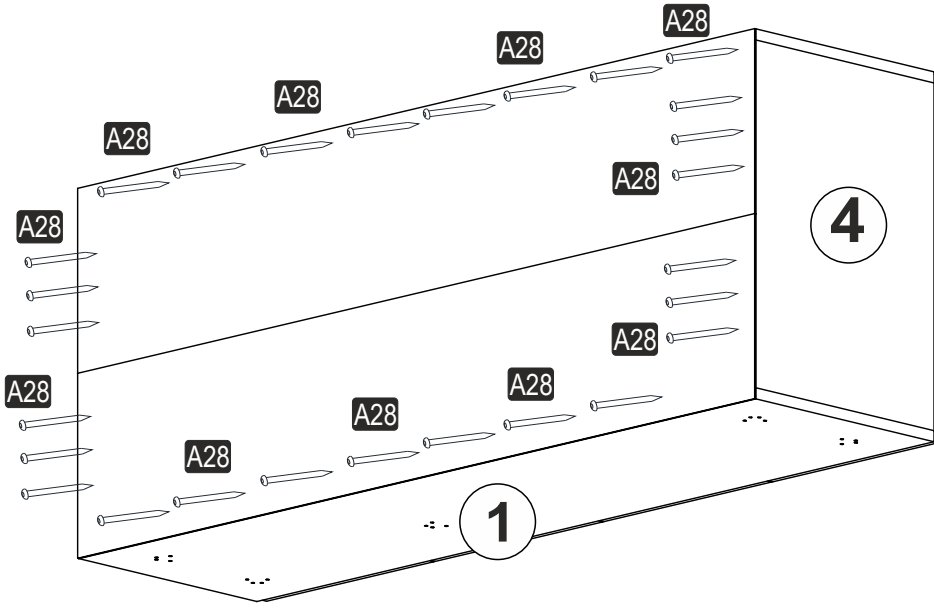
3



4



5



6

