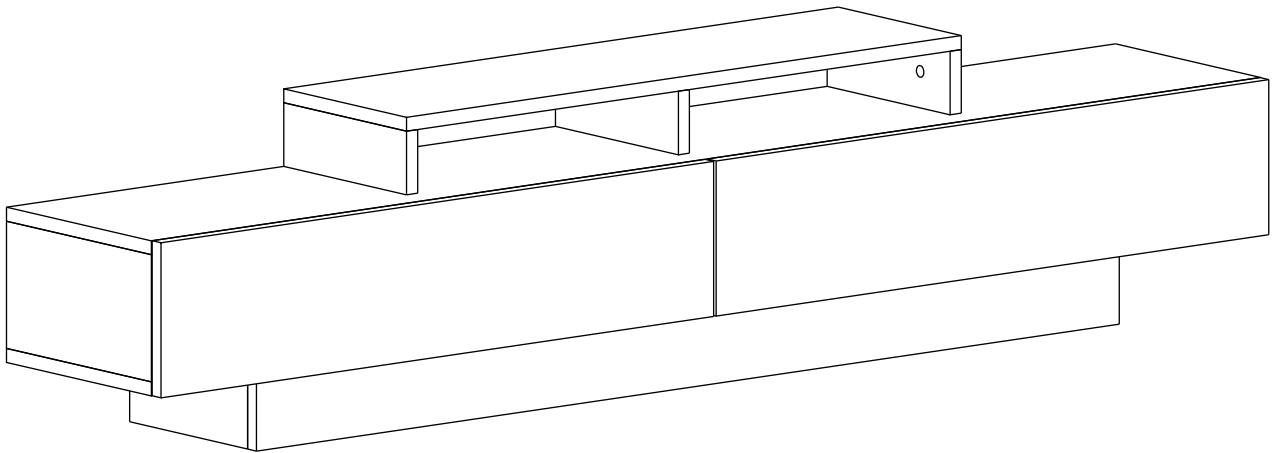
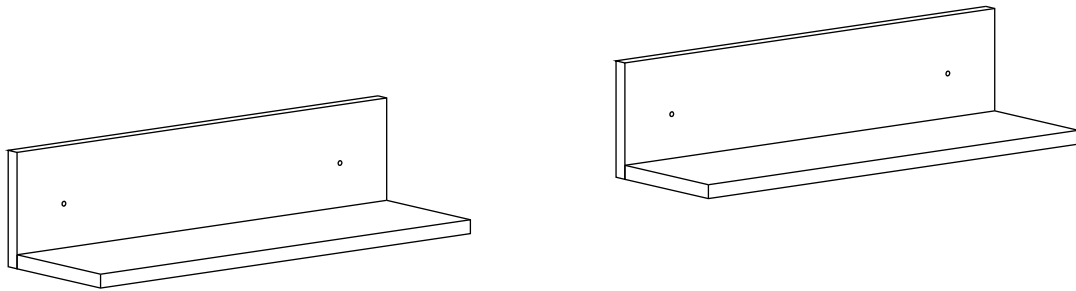


# LUSI

## Tv Stand

### Assembly Instruction



please scan the QR code  
for installation video

# Introduction



Valued Customer,

We design and carefully manufacture our products for our customers, We wish that our customers to have fun while they are doing their new furniture

The product you just purchased was subjected to all sorts of tests and controls before sending out to you.

Hope you enjoy your new furniture!!!



Before starting, please check all components and accessories according to the provided list. If you purchased more than one product, to prevent confusion, be sure that you completed the first product, then start the next one. Please make sure that you select correct numbered part and use specific connector to assemble. We do not recommend any modification or rotation in assembly. Please follow the manual carefully.



Furniture parts are going through several manufacturing procedures. During this process, parts can have little dust or marks. Please clean the parts with dump cloth before assembly to get the best result. Usual cleaning would be suffice.



Although all products are carefully manufactured and packed, sometimes we experience damage during transportation. In such cases, please check the damaged part, note the part number written on the part and do not hesitate to contact us

You may reach us via [assembly@decorotika.com](mailto:assembly@decorotika.com) for assembly questions. For all other inquiries please contact directly with marketplace where you placed your order.

You may also reach us via [assembly@decorotika.com](mailto:assembly@decorotika.com) for all inquiries regarding the order you have placed on [www.decorotika.us](http://www.decorotika.us) Please mention your order number in your e-mail. Thanks for choosing our product.

E-mail : [assembly@decorotika.com](mailto:assembly@decorotika.com)

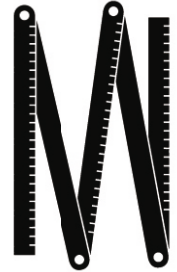
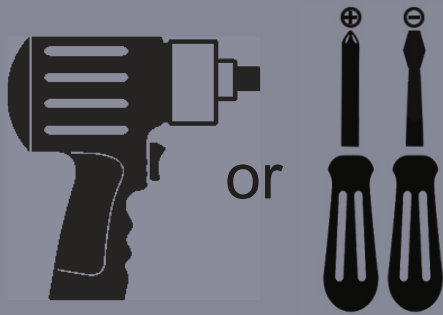
[EUROPE Phone : +90 553 966 7517](http://www.decorotika.us) Working Hours: Mon- Fri (07 am - 05 pm)



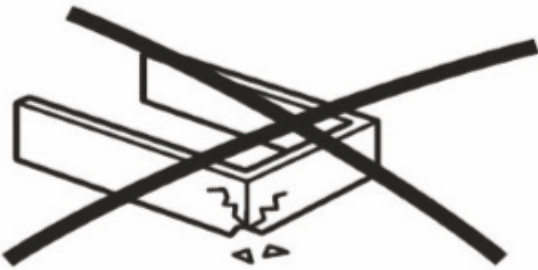
Do not use your furniture for out of purposes. If you would like to use it out of purpose or would like to do some modification or rotation, please contact us for more details.

Please do not expose your furniture to excessive heat, cold and humidity because product can be affected negatively.

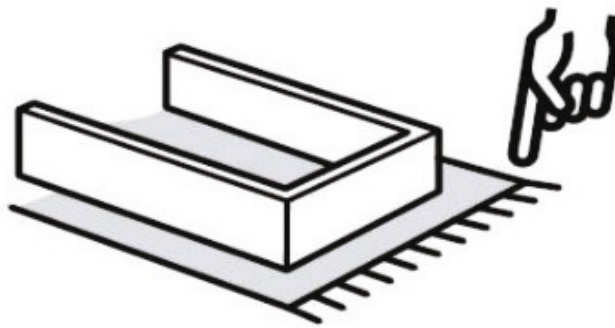
# Before you start



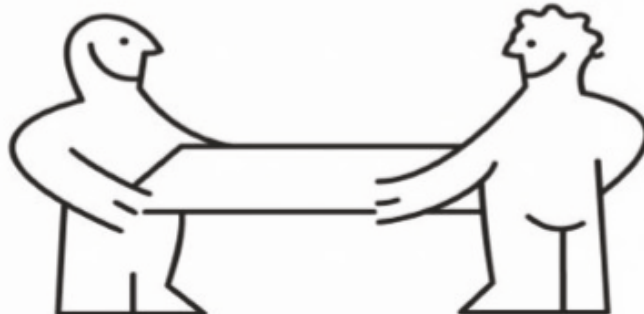
Get required installation tools prepared

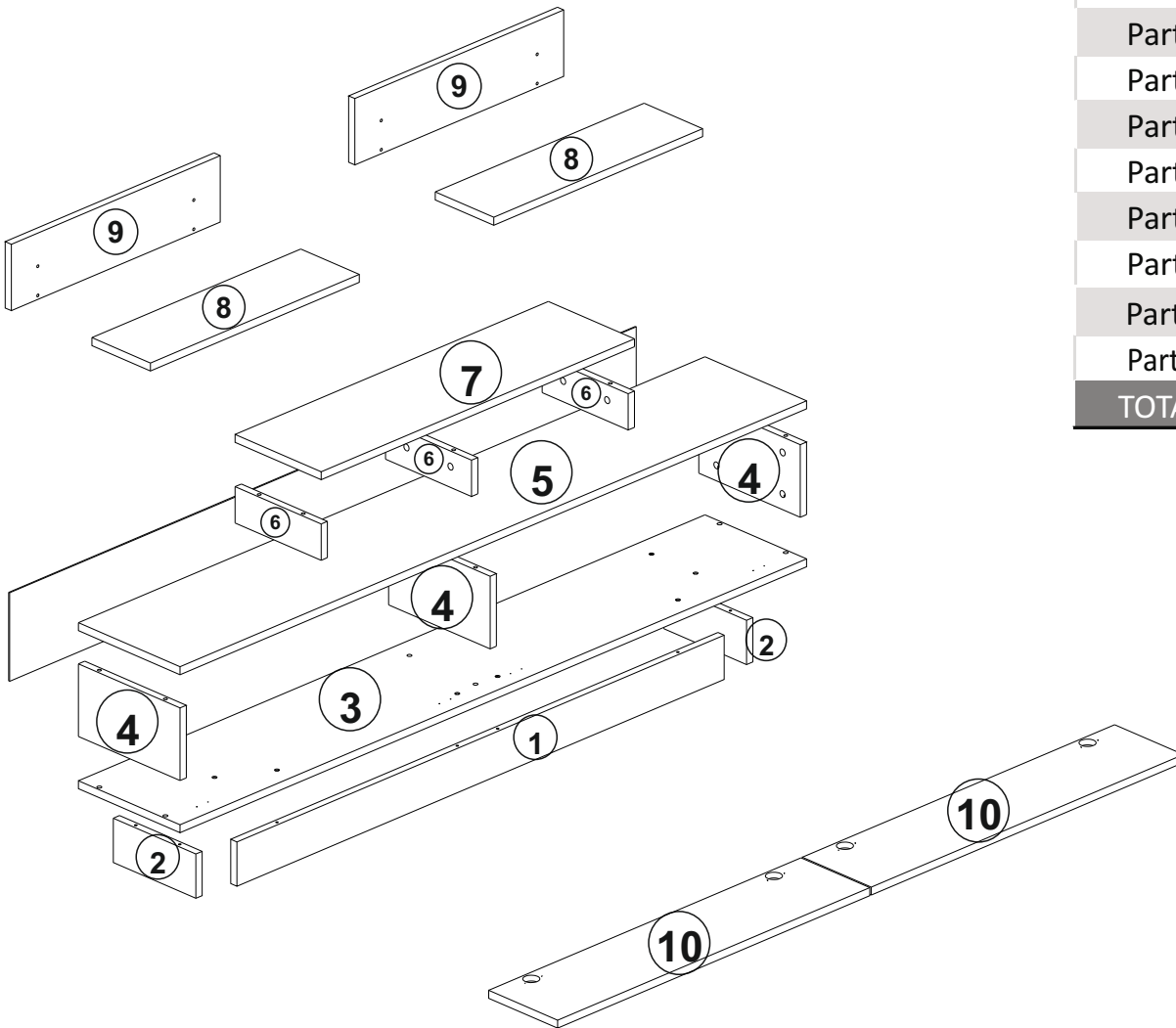


Do not install the product on rough surface.



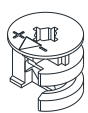
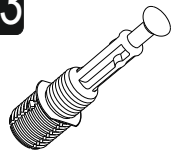
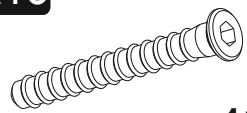


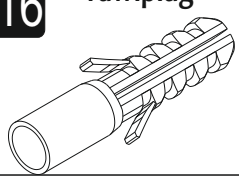
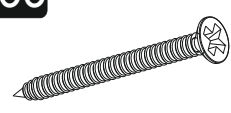
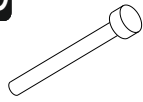

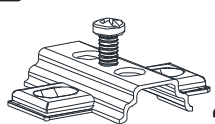
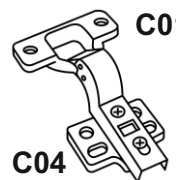
Get help from someone else!





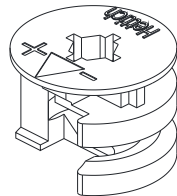
Part1	1x
Part2	2x
Part3	1x
Part4	3x
Part5	1x
Part6	3x
Part7	1x
Part8	2x
Part9	2x
Part10	2x
<b>TOTAL</b>	<b>18x</b>

## Accessories

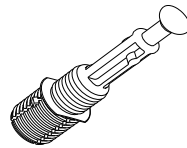
<b>A02</b> minifix head  <b>20x</b>	<b>A03</b> minifix screw  <b>20x</b>	<b>A13</b> 50 mm screw  <b>12x</b>	<b>A09</b> 3.5x18 mm screw  <b>16x</b>
<b>A06</b> 18 mm sticker  <b>30x</b> <small>c 1</small>	<b>A16</b> rawlplug $\varnothing 8$  <b>4x</b>	<b>A33</b> 5x70 mm screw  <b>4x</b>	<b>A40</b> nail  <b>30x</b>
<b>C01</b> bracelet d1  <b>4x</b>	<b>C04</b> pivot  <b>4x</b>	<p>Please be aware that C01(bracket) and C04(pivot) parts may come as attached together.</p> 	

# Getting familiar with the main components

\*Minifix is the main connection component used in Decorotika products. Before starting, please check the below figures.

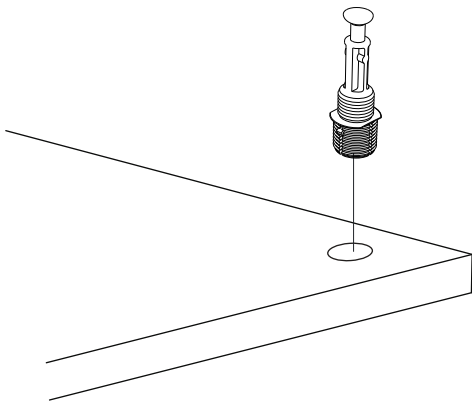


MINIFIX  
HEAD

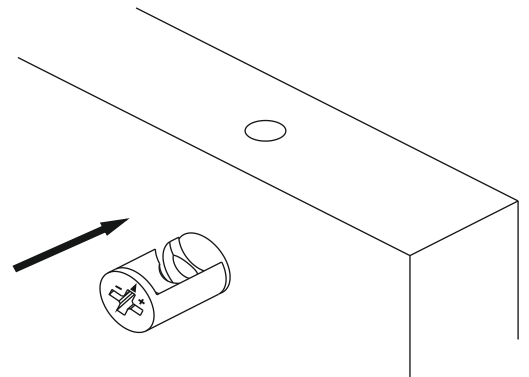


MINIFIX  
SCREW

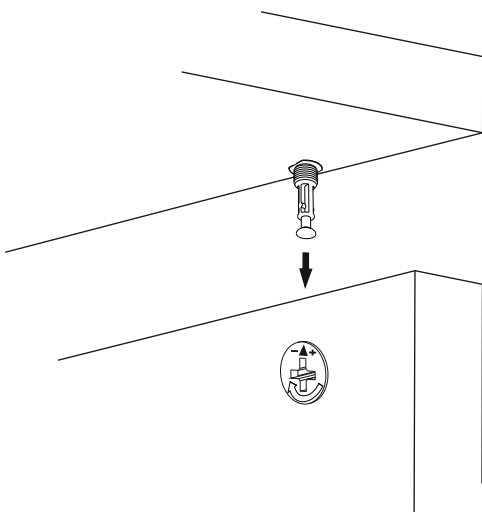
\*Please insert A03 (minifix screw) as shown below.



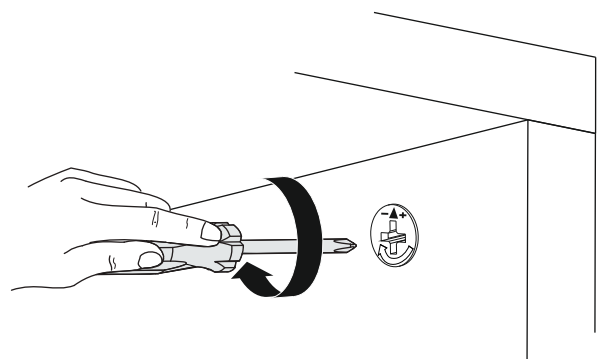
\*Please notice that there is a small arrow on A02 (minifix head). This arrow should show the direction of upper hole.



\*After attaching two pieces please turn the A02 (minifix head) clockwise direction just a half tour with the help of a screwdriver.



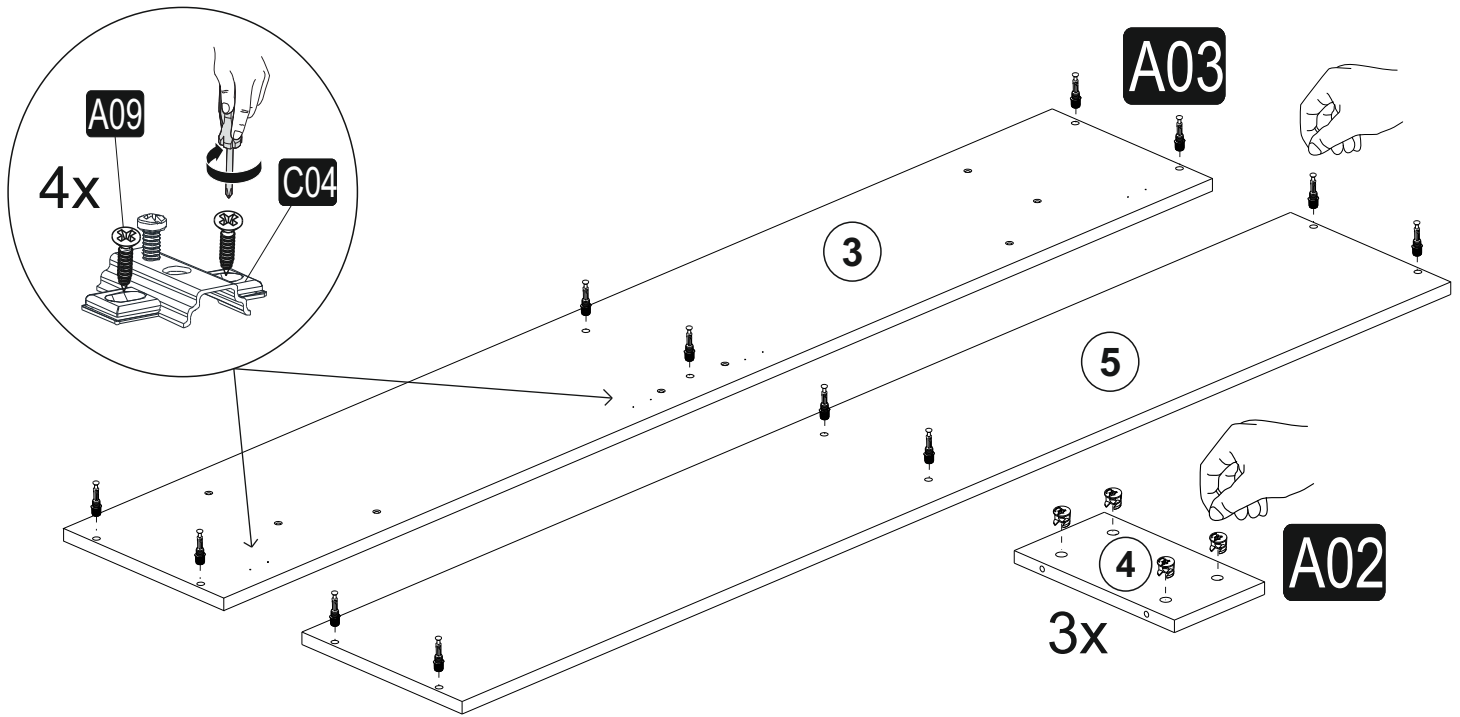
\*Please do not overscrew the piece as it may break if too much power is imposed. Just make sure that it is screwed to the direction “+”, do not go any further.





## a. Installing components

- Please place A03 (minifix screws) into the part 3 holes as shown below.
- Please place A02 (minifix heads) into the part 4 holes as shown below.
- Please place C04 (pivot) into the pre-direlled pivot holes as shown below and turn the A09 (3x18 mm screw) clockwise direction.



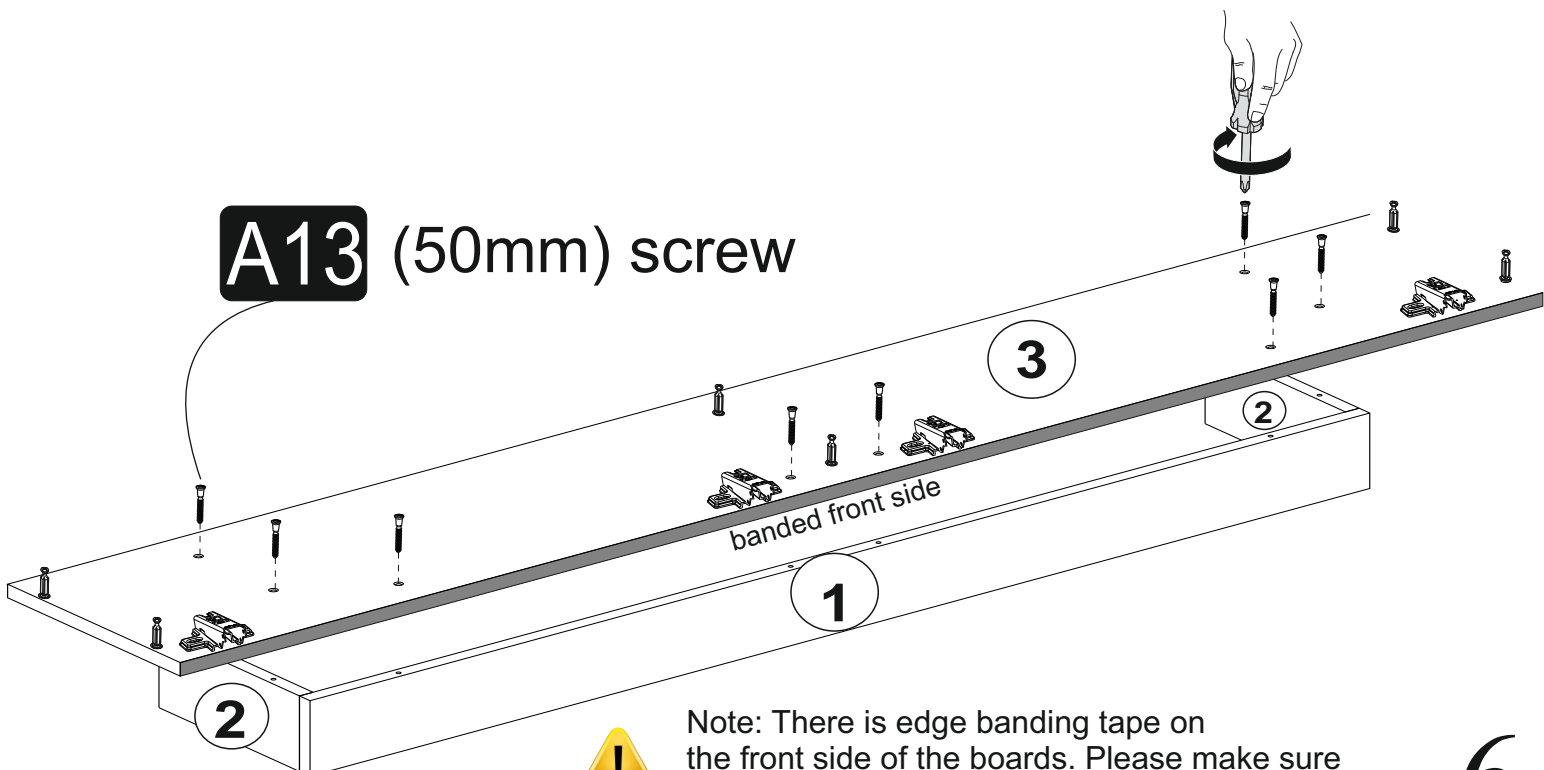
## b. Installing components

Please attach part 1 and 2 to the part 3 using A13 (50 mm) screw as shown below.



The screw holes are not countersunk. Push the screw (A13) through the hole until its head sits flush with the wood surface. The screw head should not protrude above the surface.

**A13** (50mm) screw

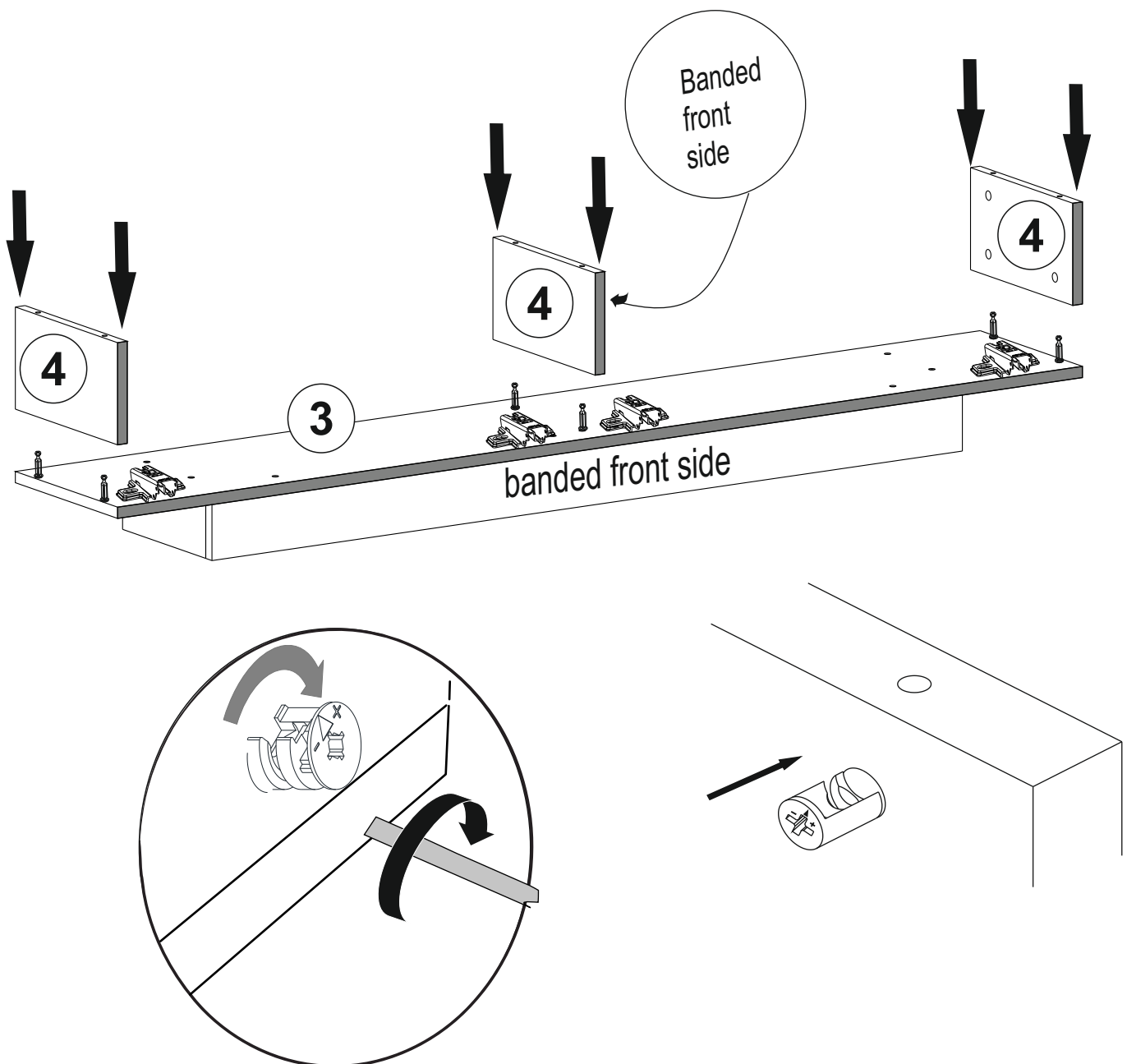


Note: There is edge banding tape on the front side of the boards. Please make sure that the banded edge should face forward.



## c. Installing components

- Please insert the minifix heads into part 4 as shown below.
- Now attach the part 4 to part 3 as shown below.
- Finally screw the minifix heads (note: turn the screwdriver to + direction as specified on the minifix head)





#### d. Installing cabinet hinges.

Place hinge (C01 bracelet) to the pre-drilled holes located on the part 10 (door) as shown in the below hinge detail figure. Then attach the doors to the TV stand, screwing it in to the panel as shown in the figure 8 below. Finally you can align/line up the door depth, height or width by turning (tightening/loosening) the screw (B) on pivot (C04) and the special screw on bracelet (C01) as shown in the hinge detail figure.

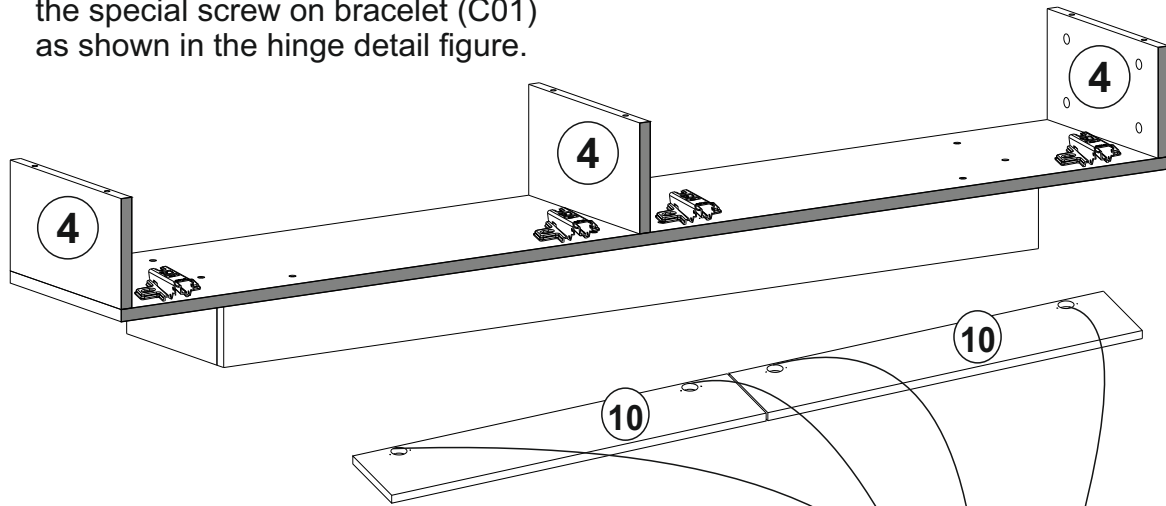
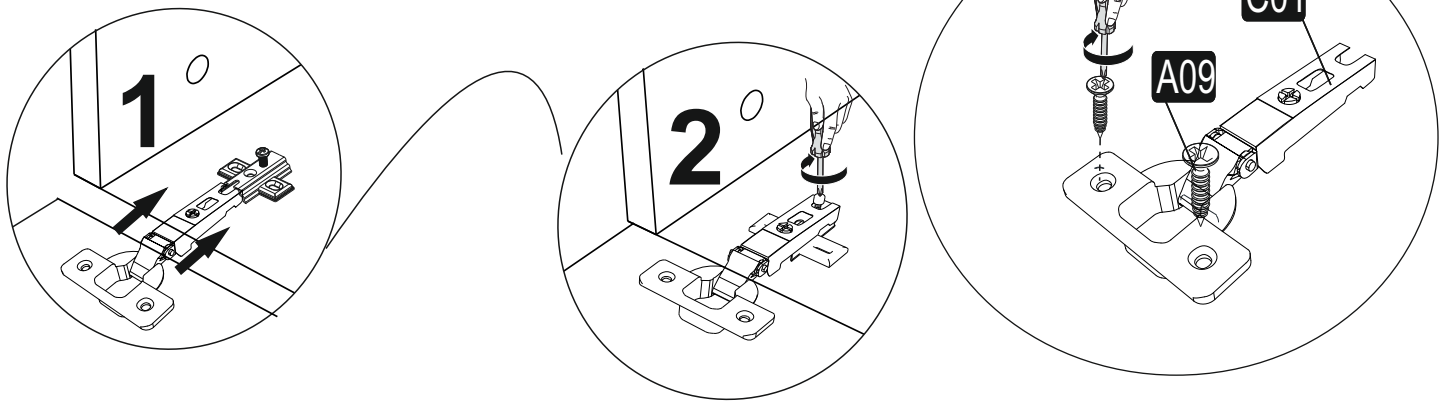
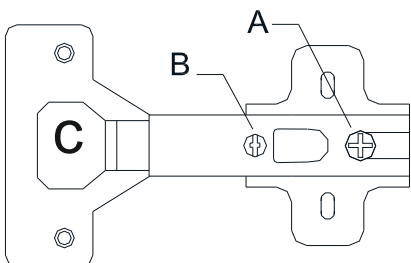


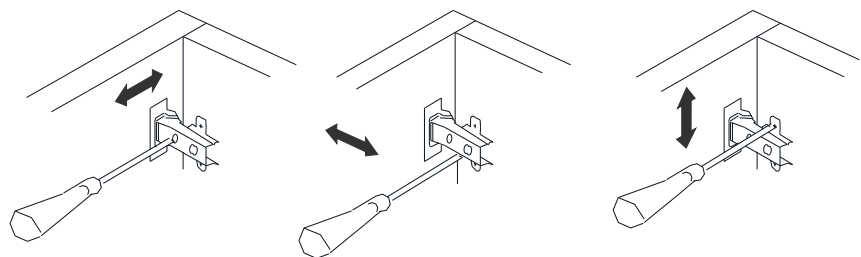
Figure 8



#### Hinge Detail Figure



- C= Body of the door hinge (bracelet C01)
- A= Connects the door hinge (bracelet C01) to the pivot
- B= Align the door depth,width and height.

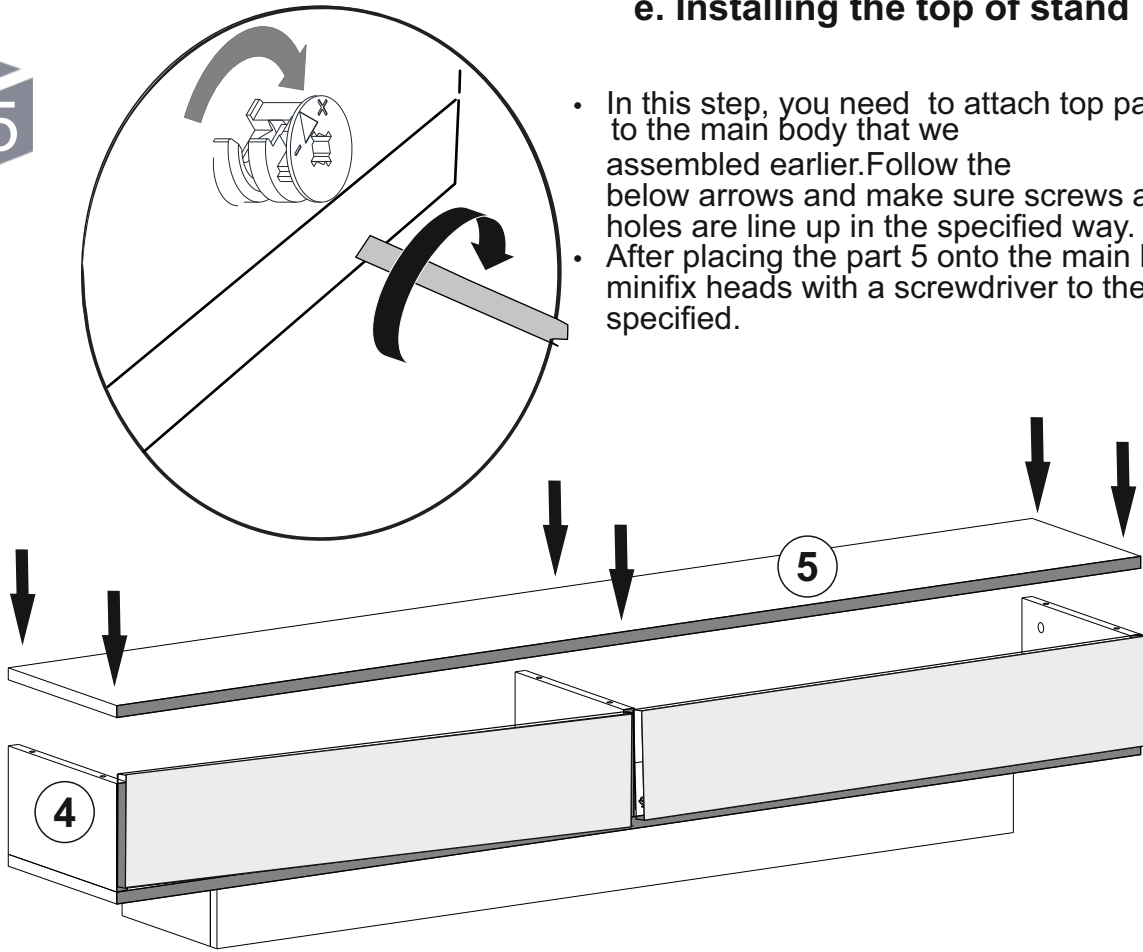


Arrows show the directions for arrangement of the doors.



### e. Installing the top of stand

5

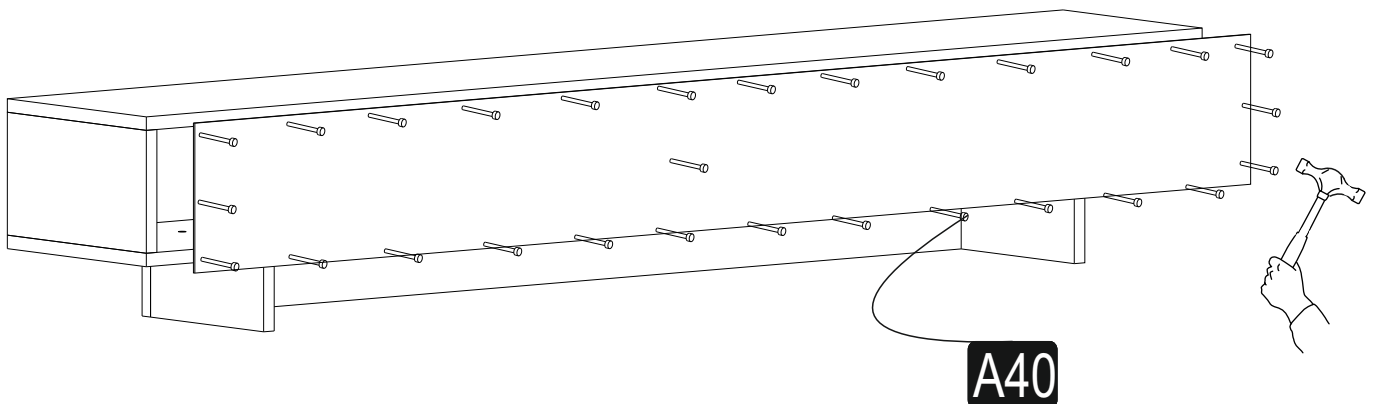


- In this step, you need to attach top part 5 to the main body that we assembled earlier. Follow the below arrows and make sure screws and holes are lined up in the specified way.
- After placing the part 5 onto the main body, turn the minifix heads with a screwdriver to the + direction as specified.

6

### f. Attaching the back panel

- Place/hold the back panel and tap as lightly as is needed to drive the nail into wood, increasing force only when necessary with a hammer. Keep driving the nail until the head is either flush with or below the surface of the wood. Use all the nails given in the hardware pack for best result.

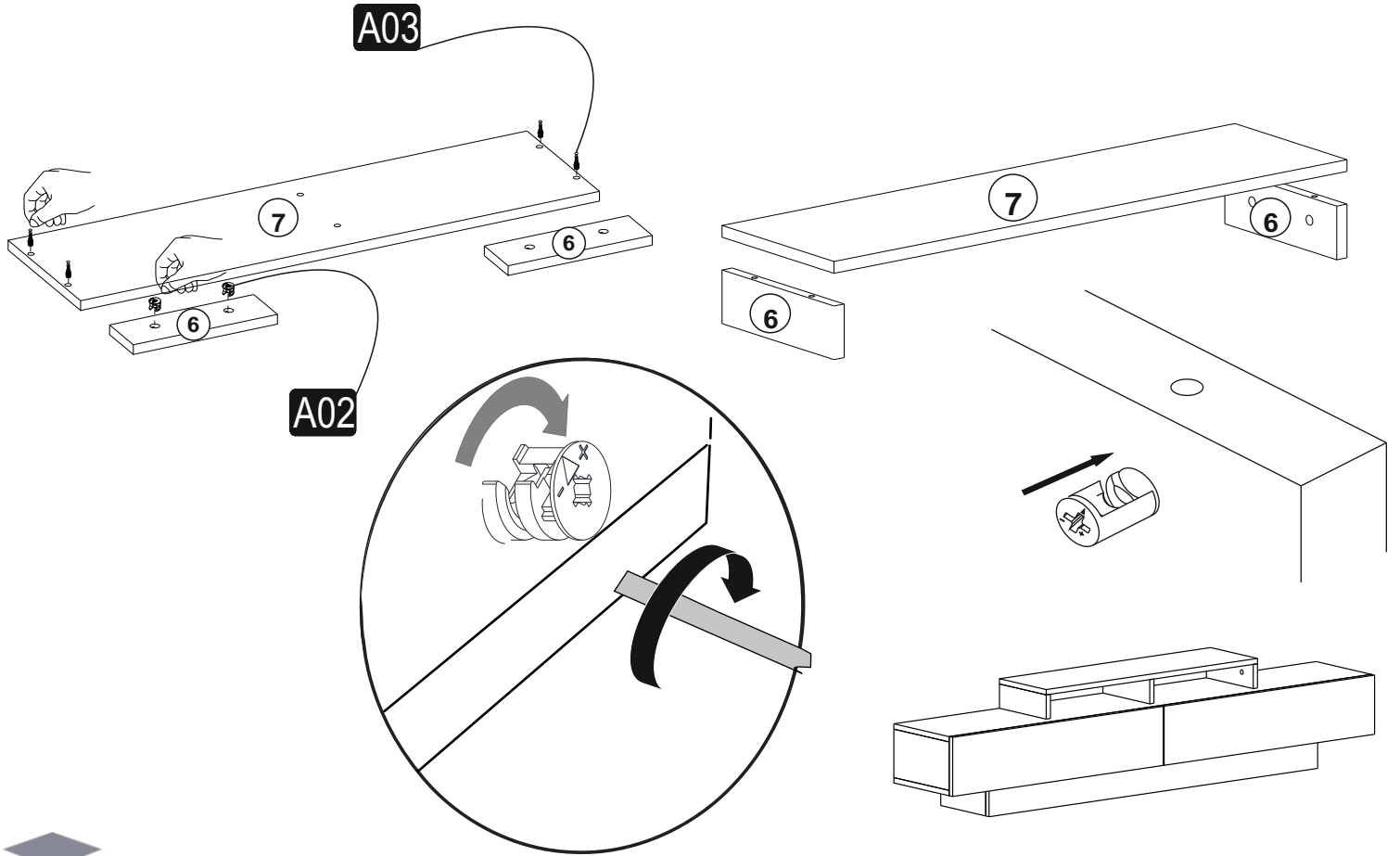


Please do not neglect installing the back panel of the TV stand. Installing the back panel will both make your TV stand sturdier and look better.

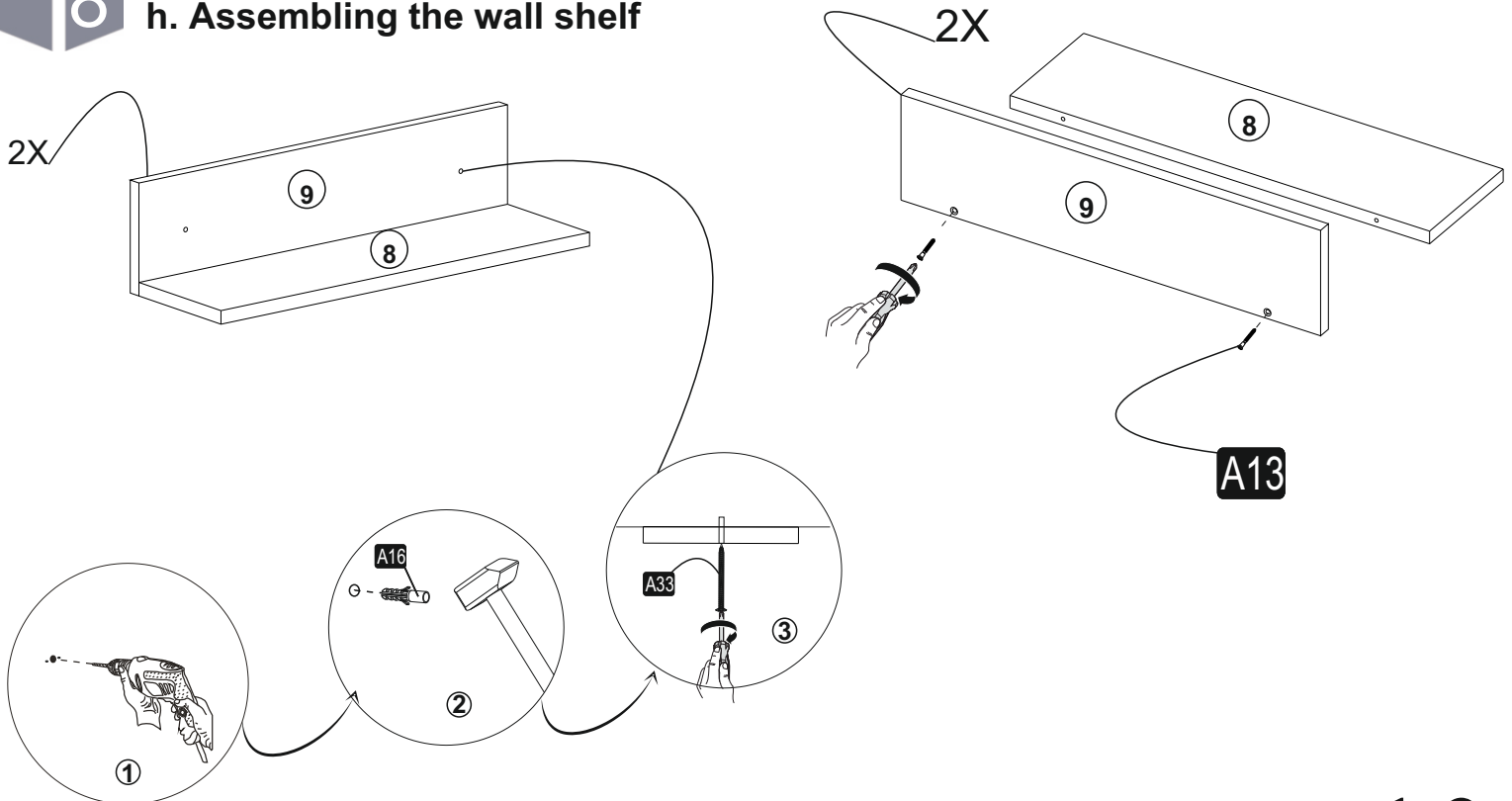
### g. Installing the top shelf

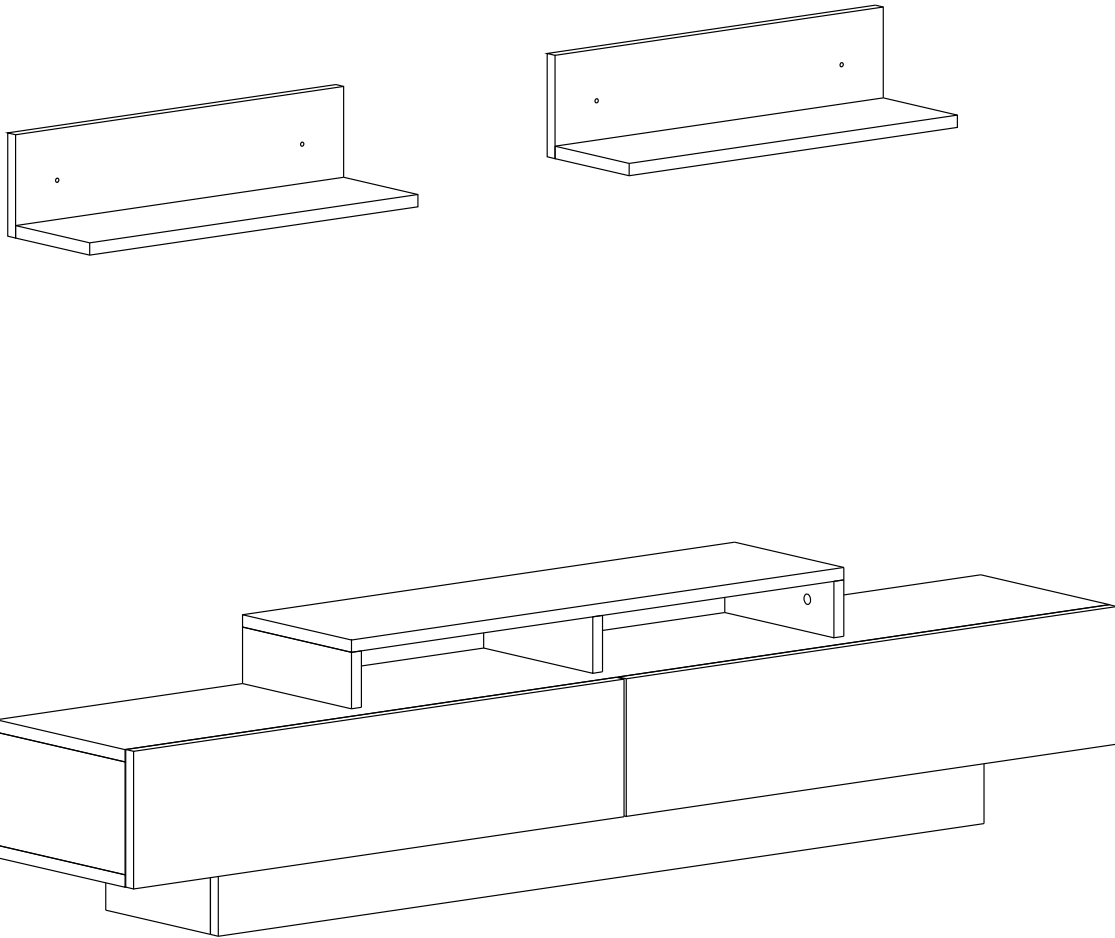


- This top shelf is a complimentary shelf for our customer who would like to place her/his TV a little bit higher than usual panel.
- It is a completely personal choice to place or not to place it on the TV Stand. If you have larger TV than 55 inch, we do not recommend using this complimentary shelf.
- Please follow the diagram below to assemble the shelf.



### h. Assembling the wall shelf





Enjoy your Decorotika product!



After finishing assembly, please cover the minifix (A02) and other screw heads with 18mm stickers (A06) that comes with the accessory pack for a better look of your furniture.



[contact@decorotika.com](mailto:contact@decorotika.com)



[www.decorotika.us](http://www.decorotika.us)  
[www.decorotika.com](http://www.decorotika.com)

---

*For any inquiries or questions,*

*please write, call or visit us.*



For the USA: [contact@decorotika.com](mailto:contact@decorotika.com)



For the UK: [support@decorotika.com](mailto:support@decorotika.com)



[www.decorotika.us](http://www.decorotika.us)

[www.decorotika.com](http://www.decorotika.com)

***We are here to help !!!***