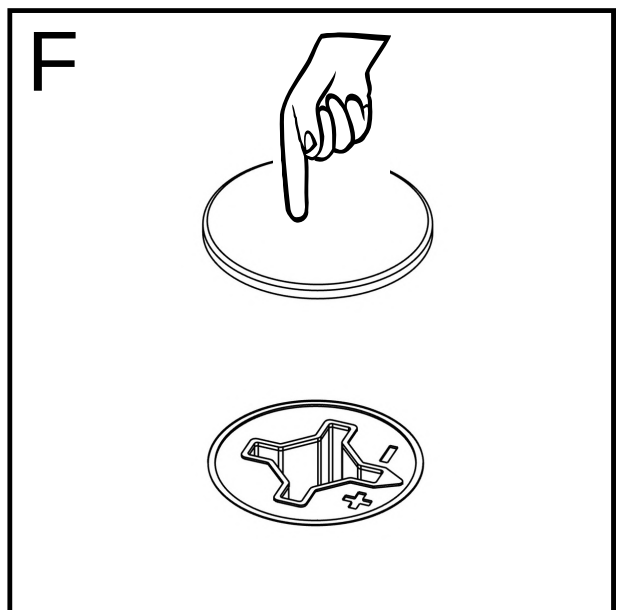
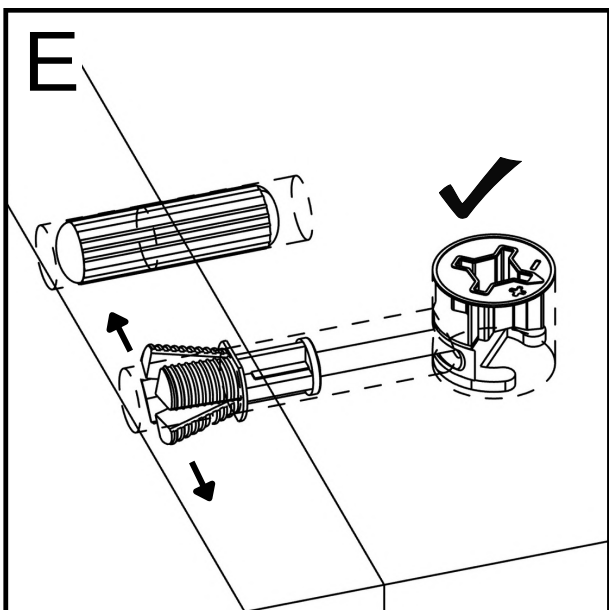
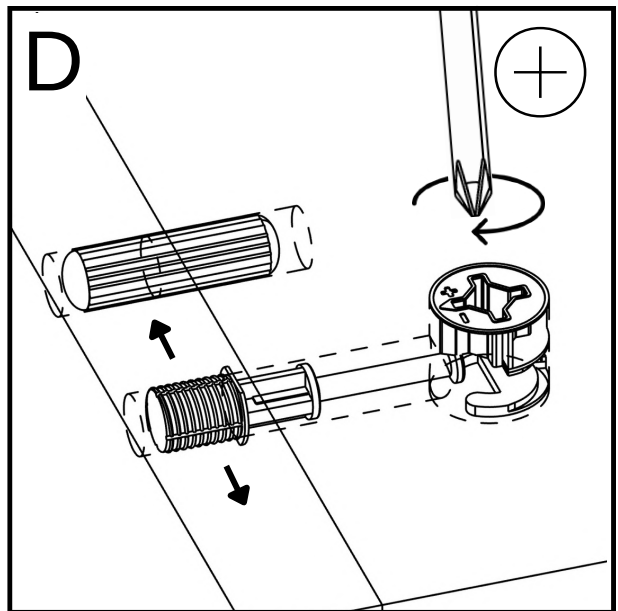
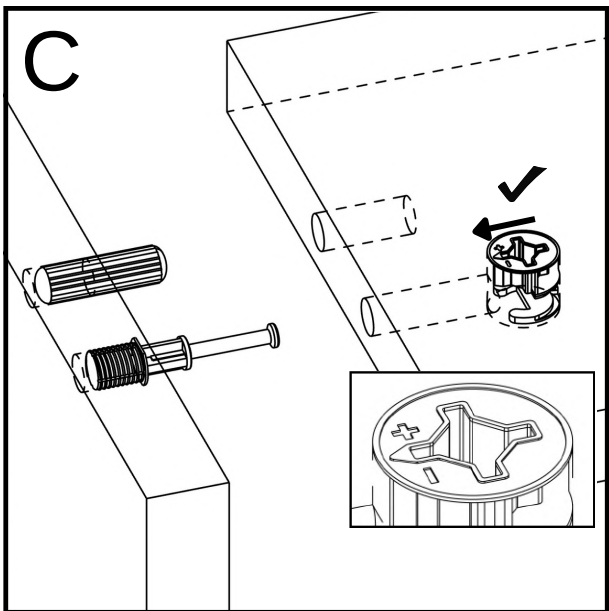
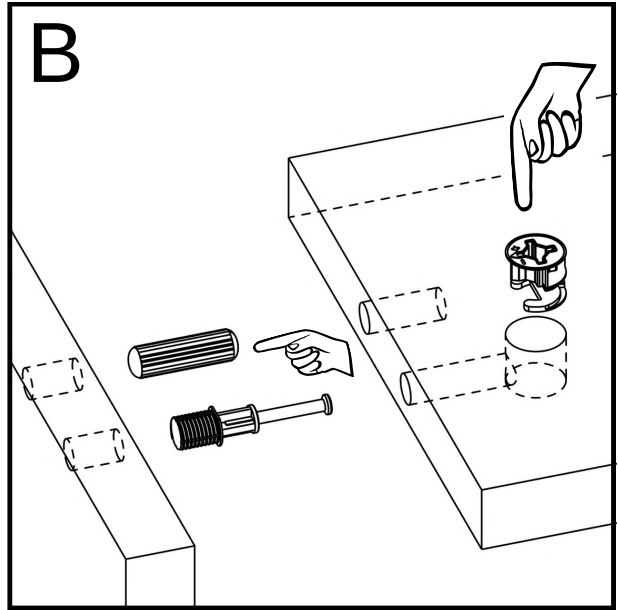
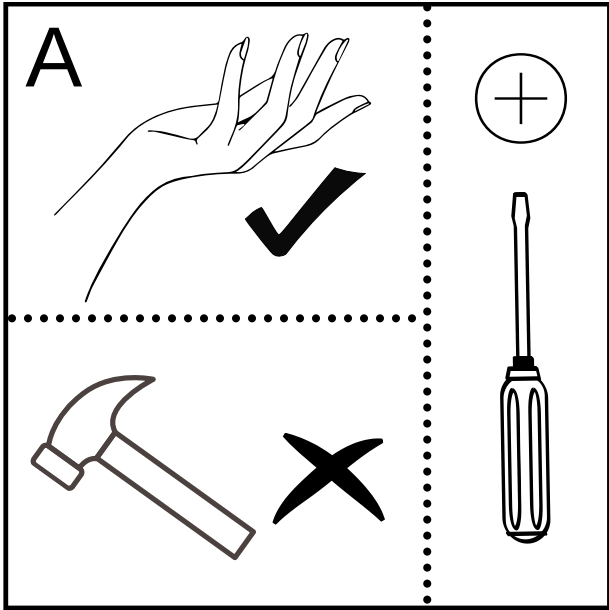
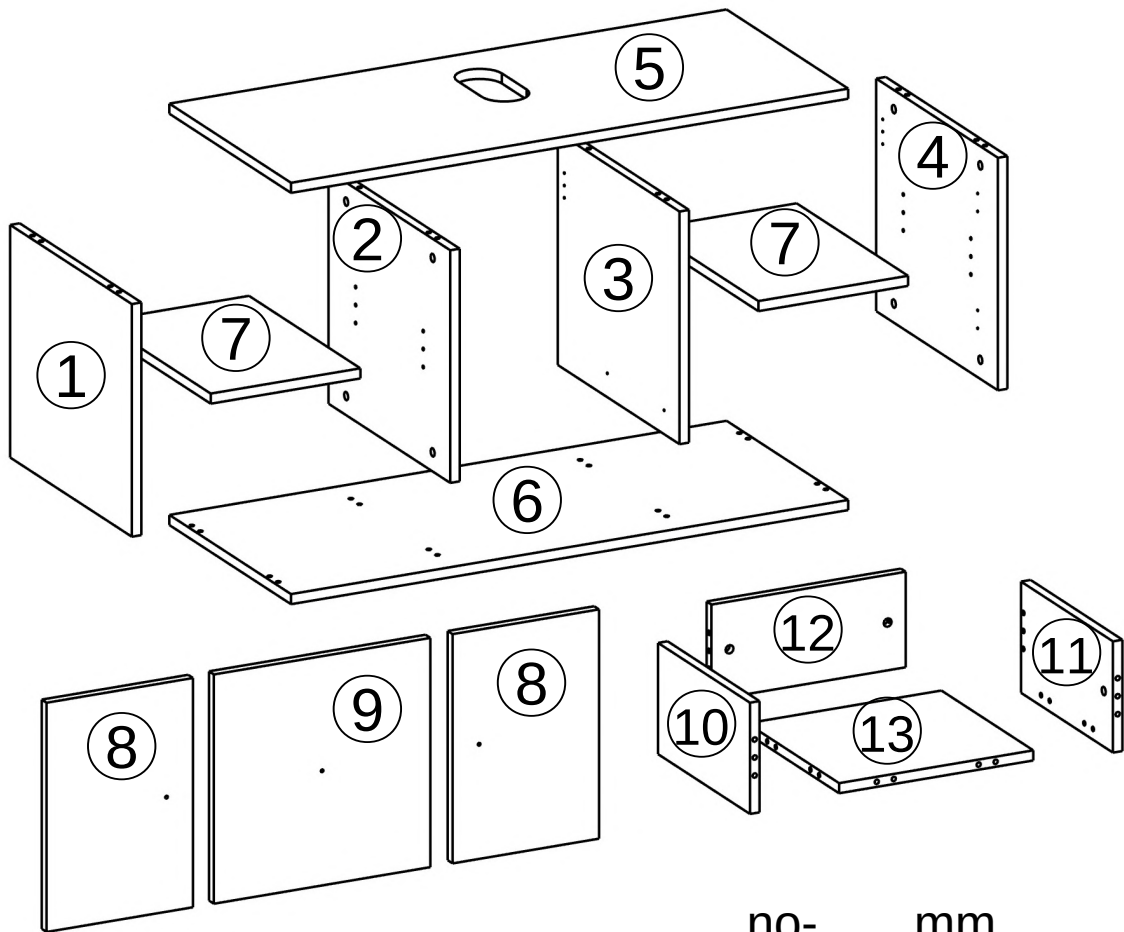





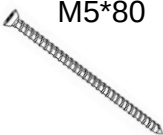
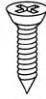
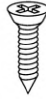

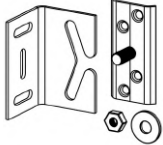
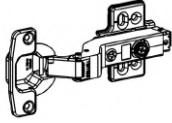
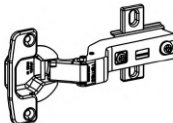
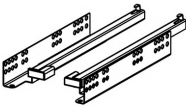


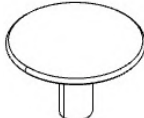


..... GUSTO-120 .....

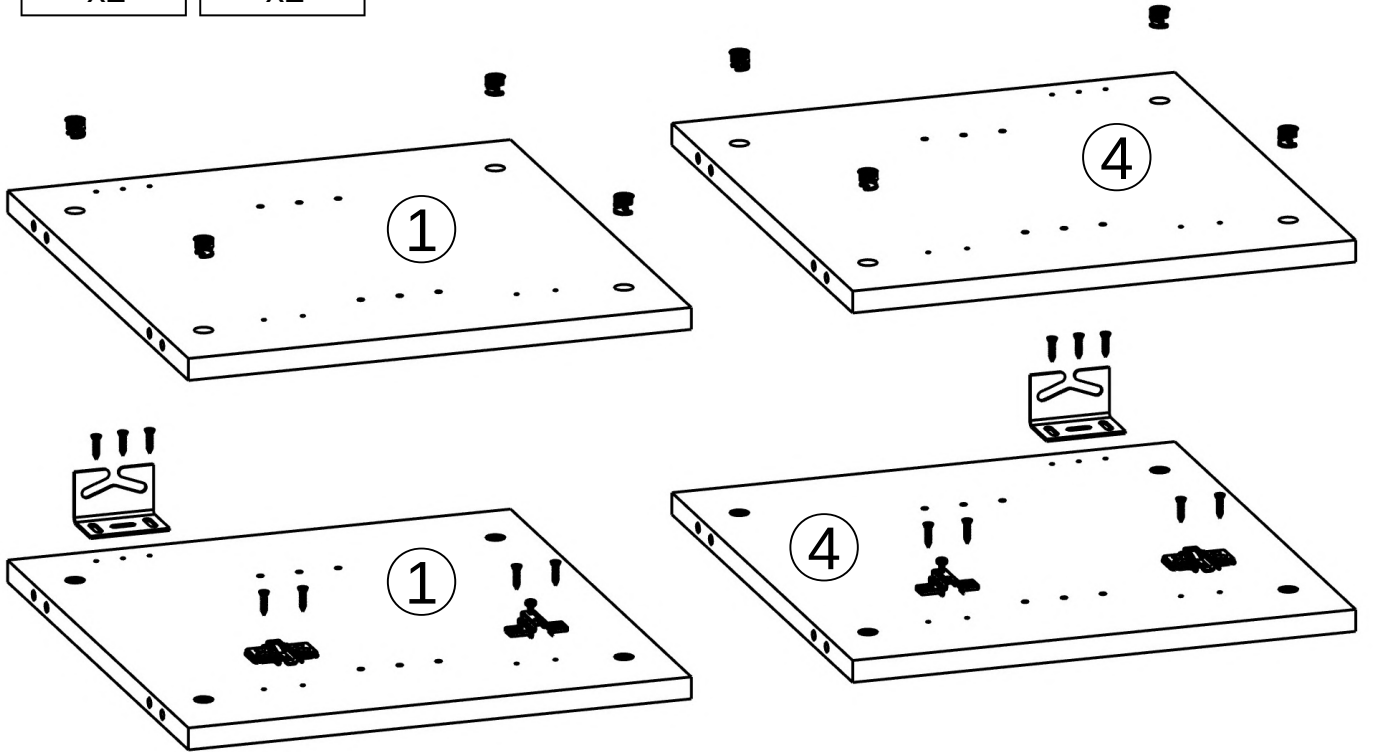
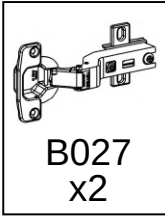
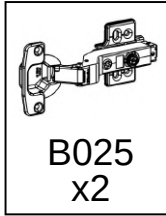
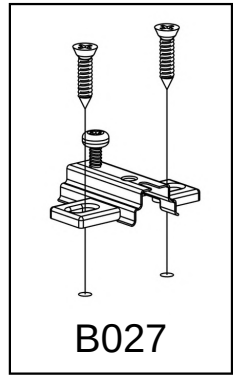
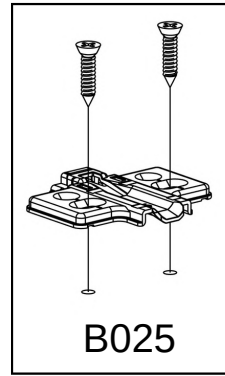
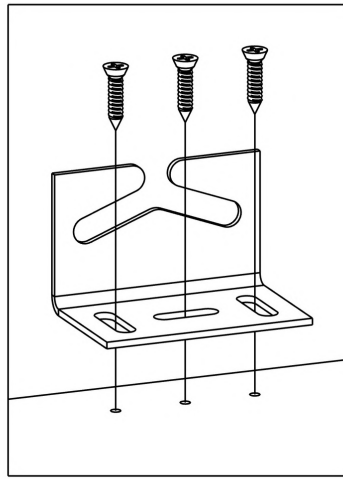
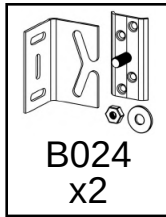
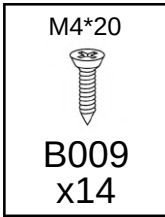
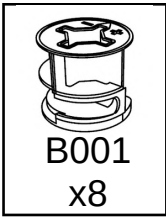




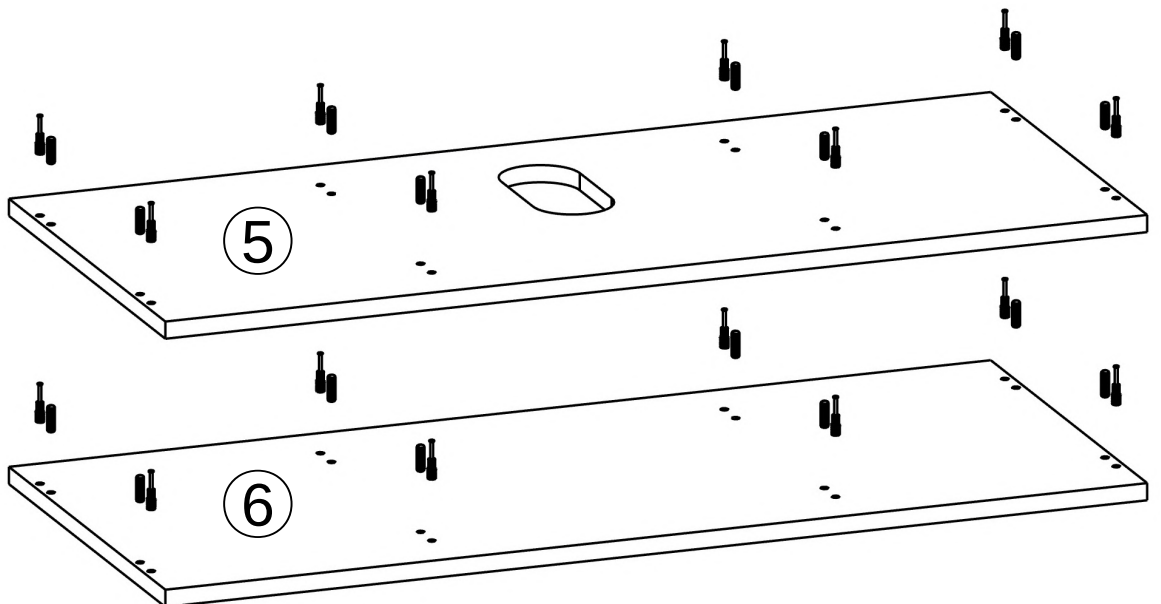
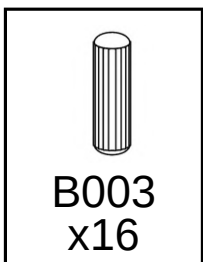
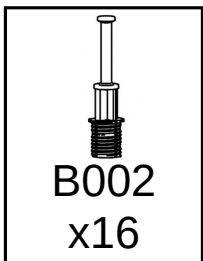
no- mm

 B001 x26	 B002 x26	 B003 x30	 B004 x26	1 - 414 * 450 * 18 x1
 B006 x8	 M5*80 B007 x8	 M3.5*18 B009 x8	 M4*20 B009 x28	2 - 414 * 450 * 18 x1
 B020 x8	 B024 x4	 B025 x2	 B027 x2	3 - 414 * 450 * 18 x1
 B062 x1L-x1R	 B015 x1L-x1R	 B011 x3	 A009 x3	4 - 414 * 450 * 18 x1
				5 - 1200 * 450 * 18 x1
				6 - 1200 * 450 * 18 x1
				7 - 282 * 412 * 18 x2
				8 - 408 * 276 * 18 x2
				9 - 558 * 408 * 18 x1
				10 - 340 * 198 * 18 x1
				11 - 340 * 198 * 18 x1
				12 - 516 * 170 * 18 x1
				13 - 516 * 340 * 18 x1

1

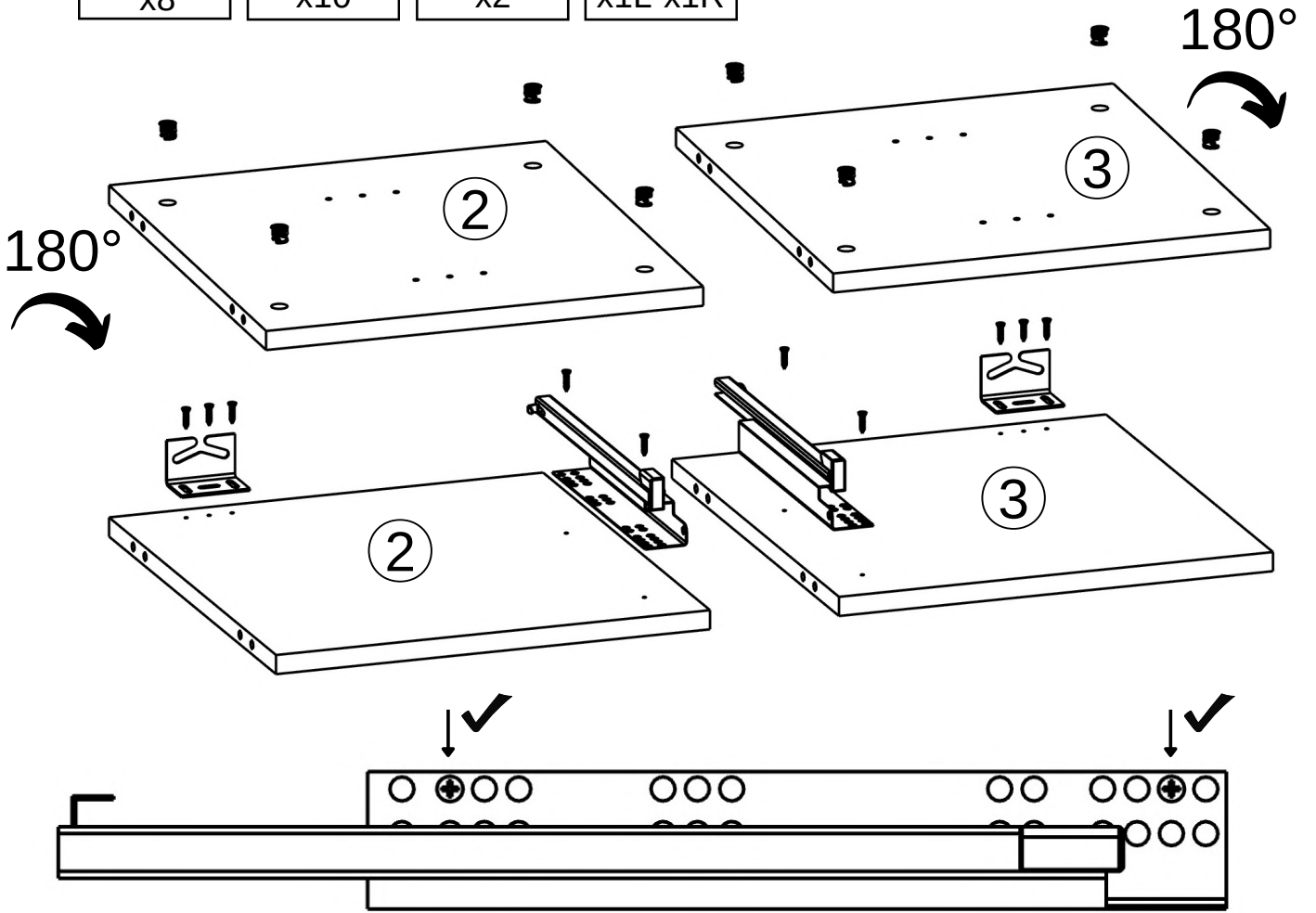
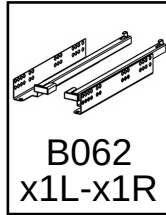
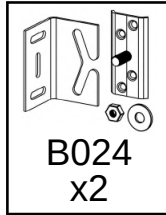
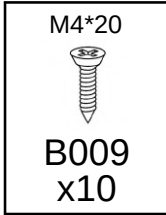
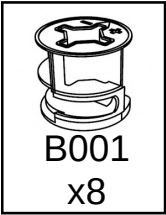


2

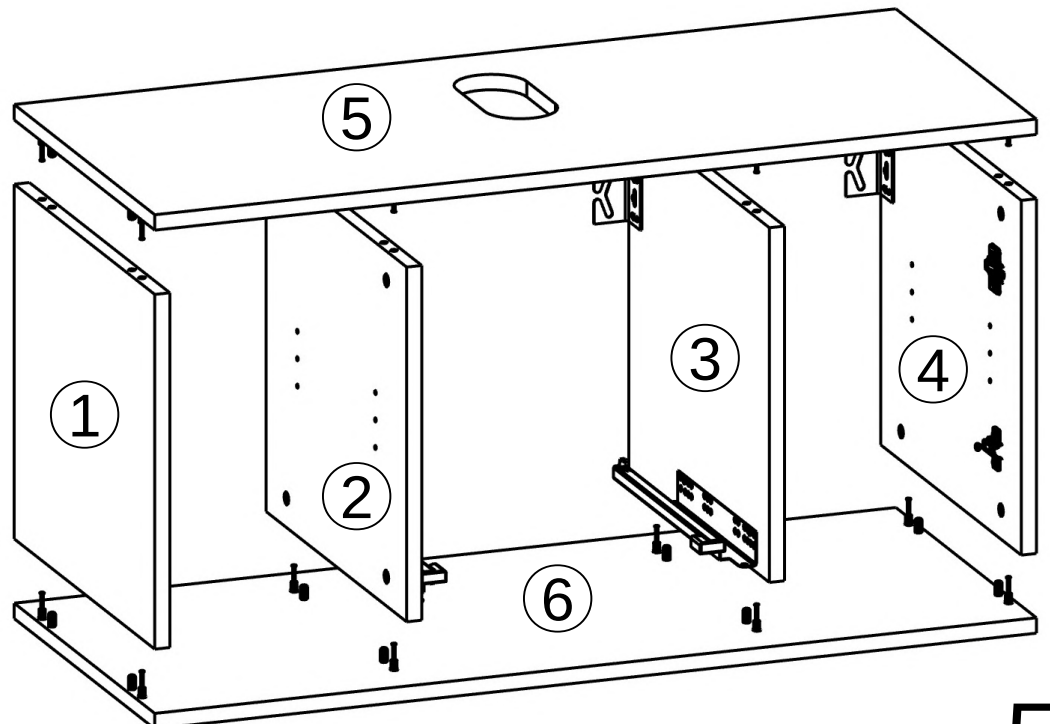
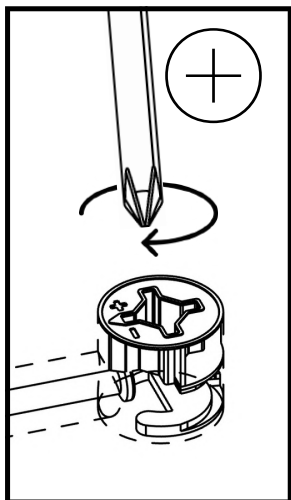


4

3

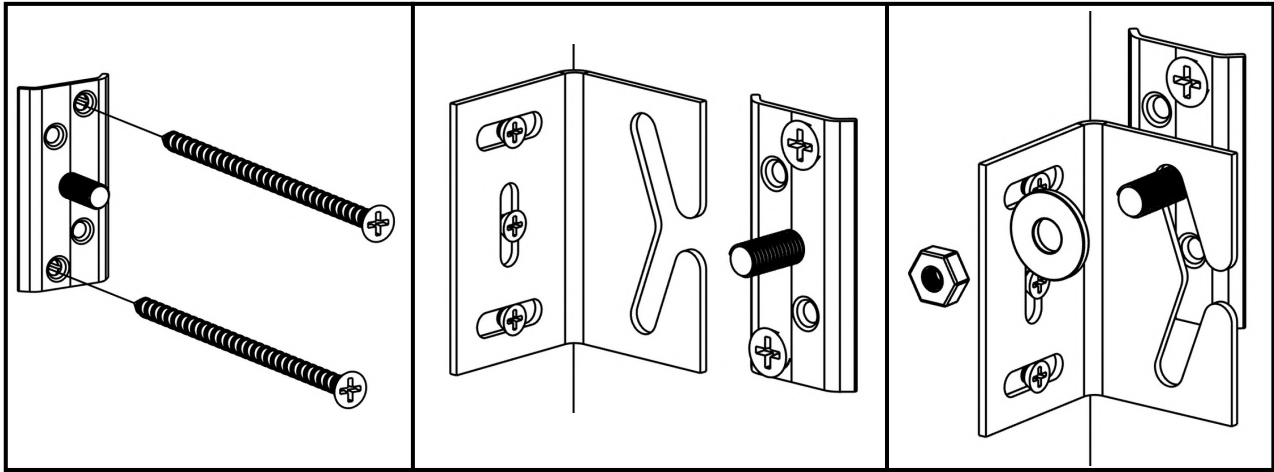
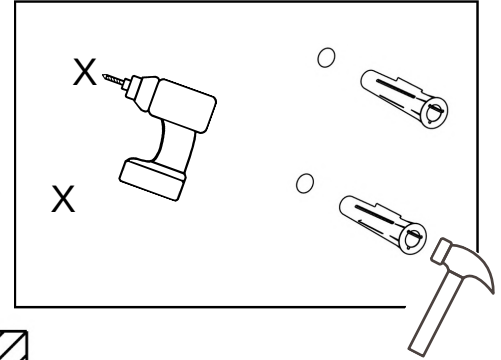
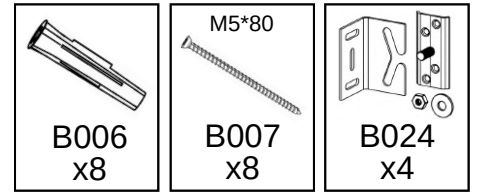
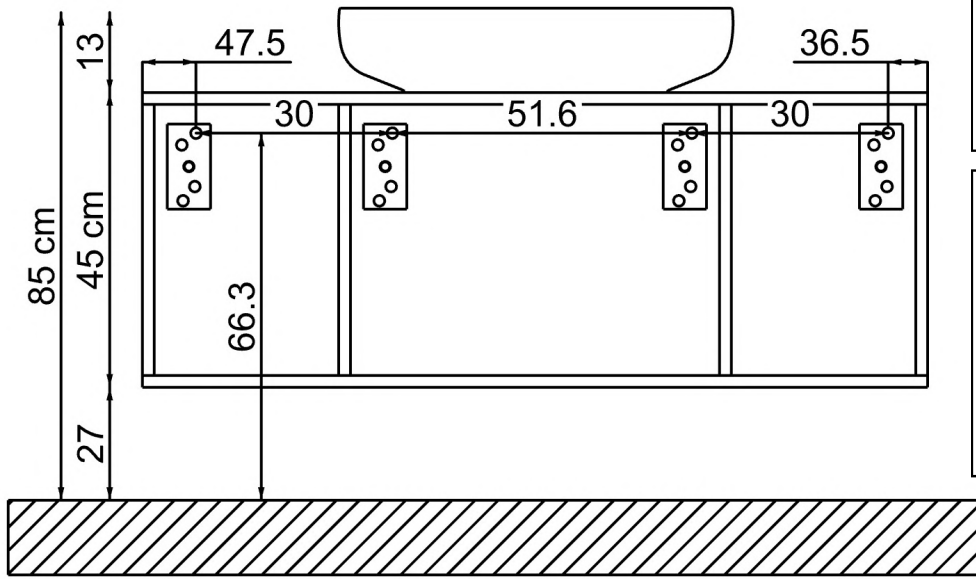


4

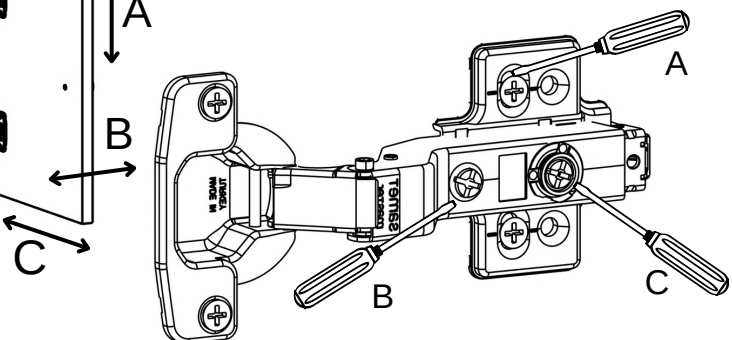
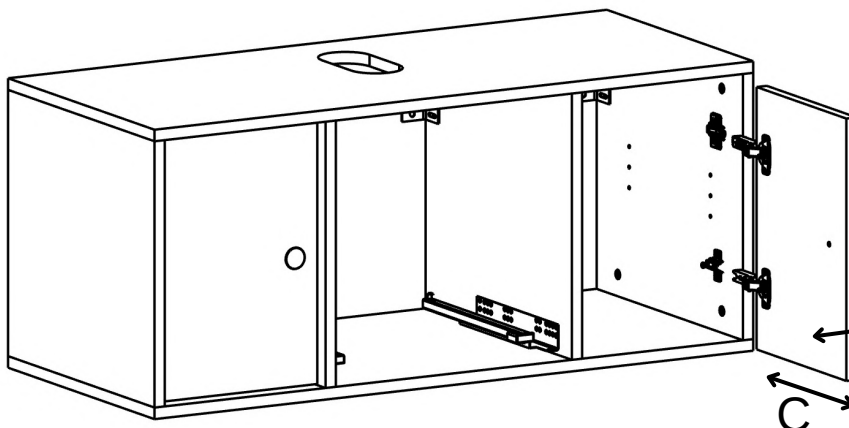
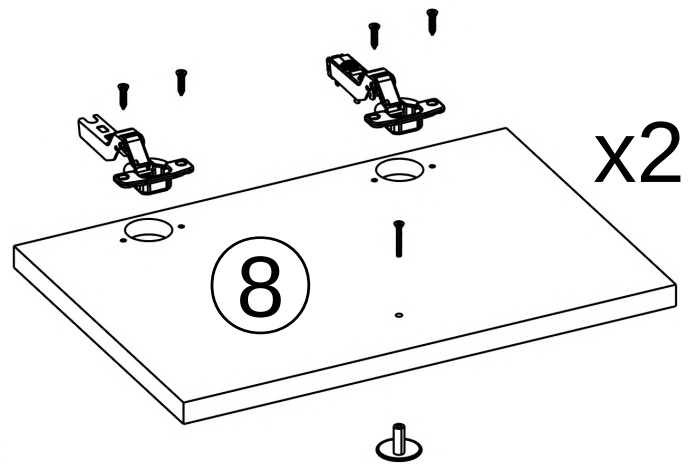
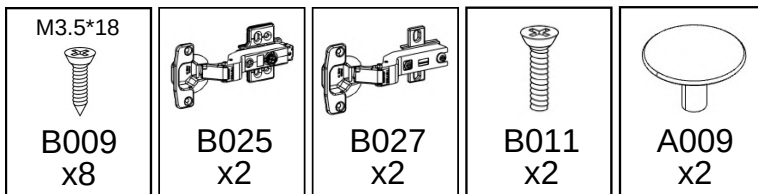


5

5

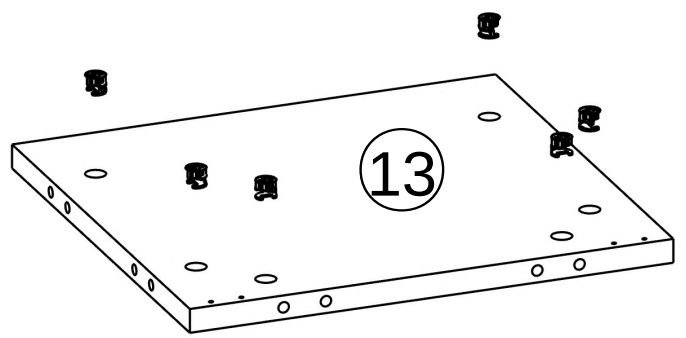
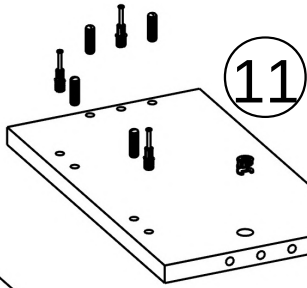
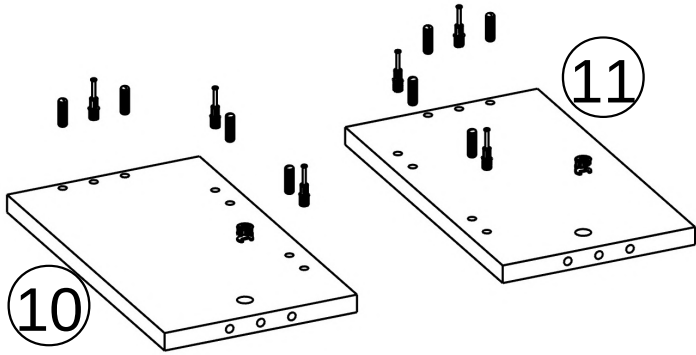
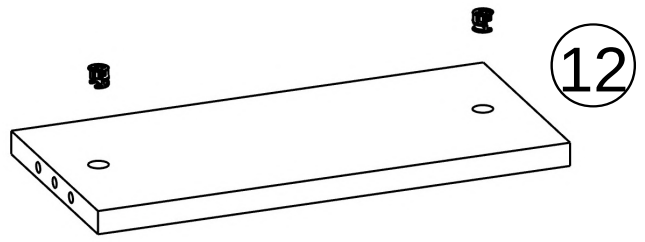
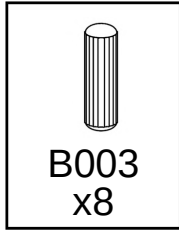
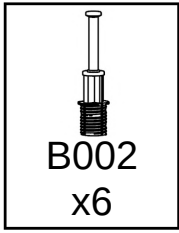
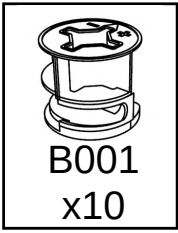


6

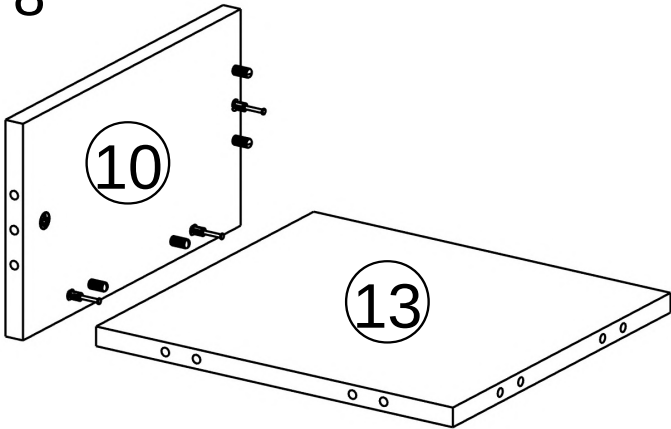


6

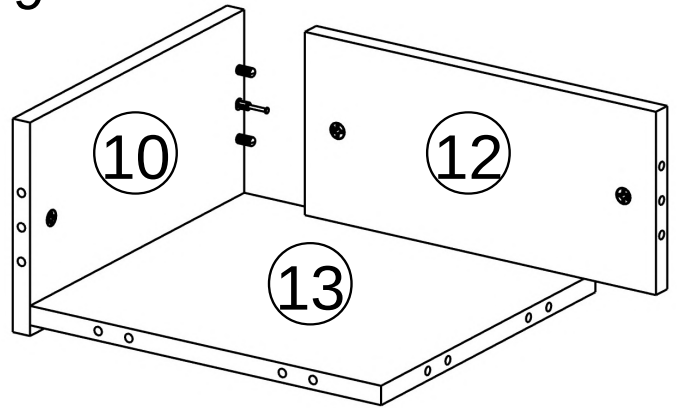
7



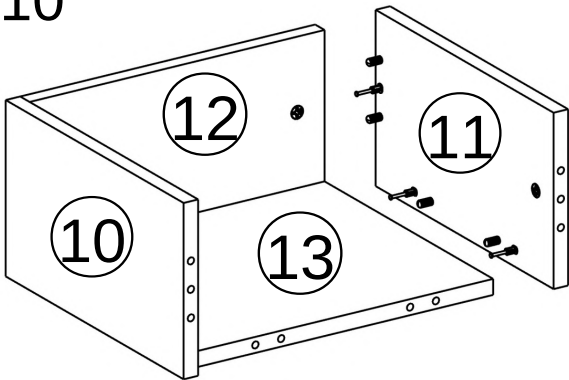
8



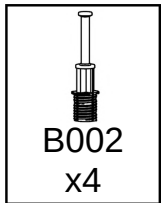
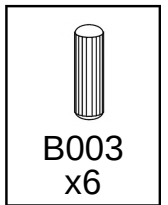
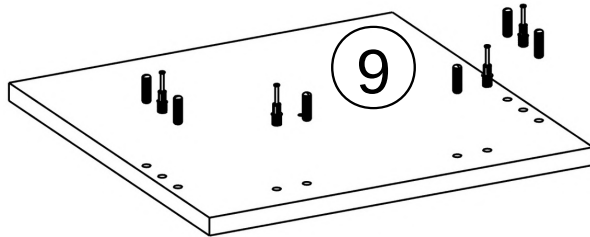
9



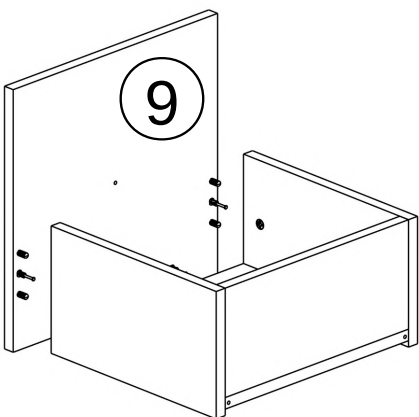
10



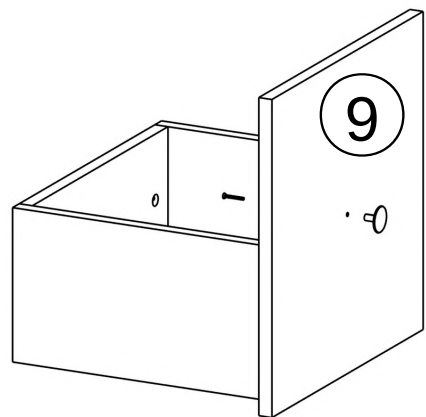
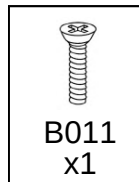
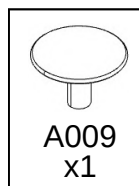
11



12

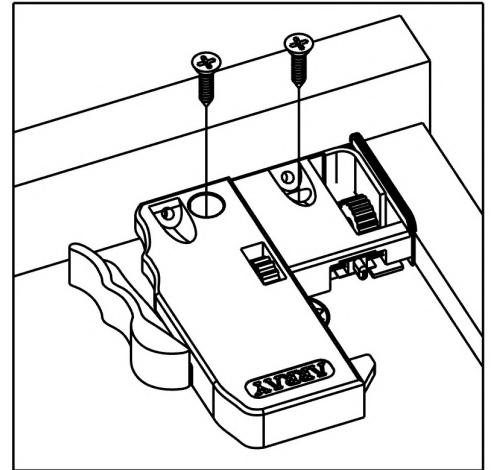
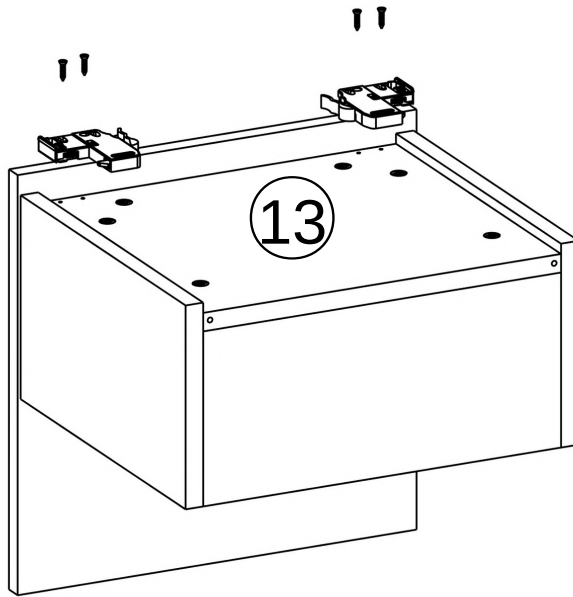
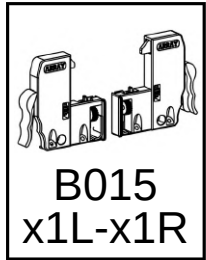
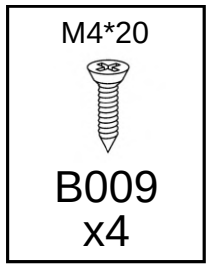


13

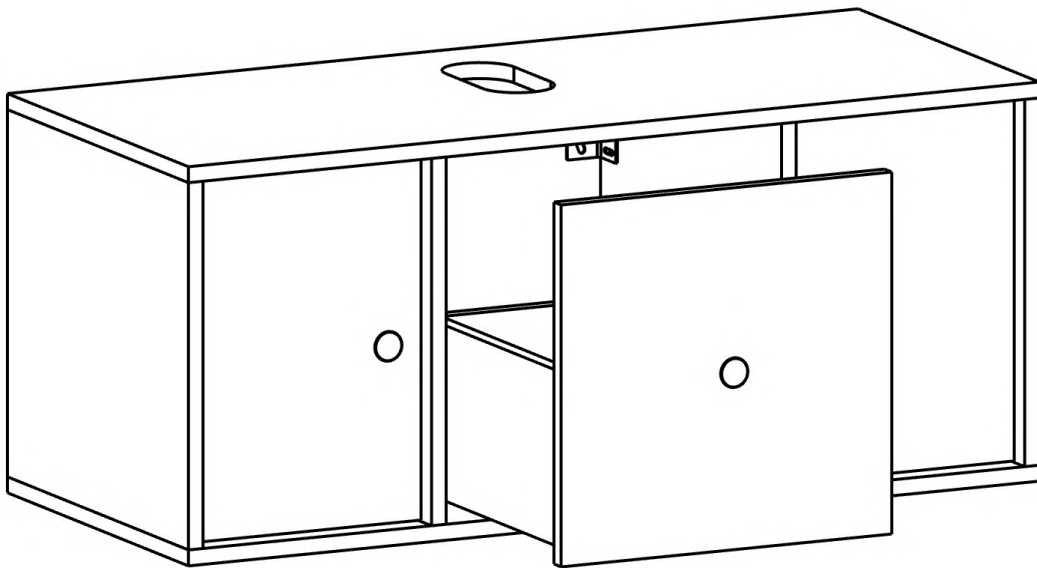


7

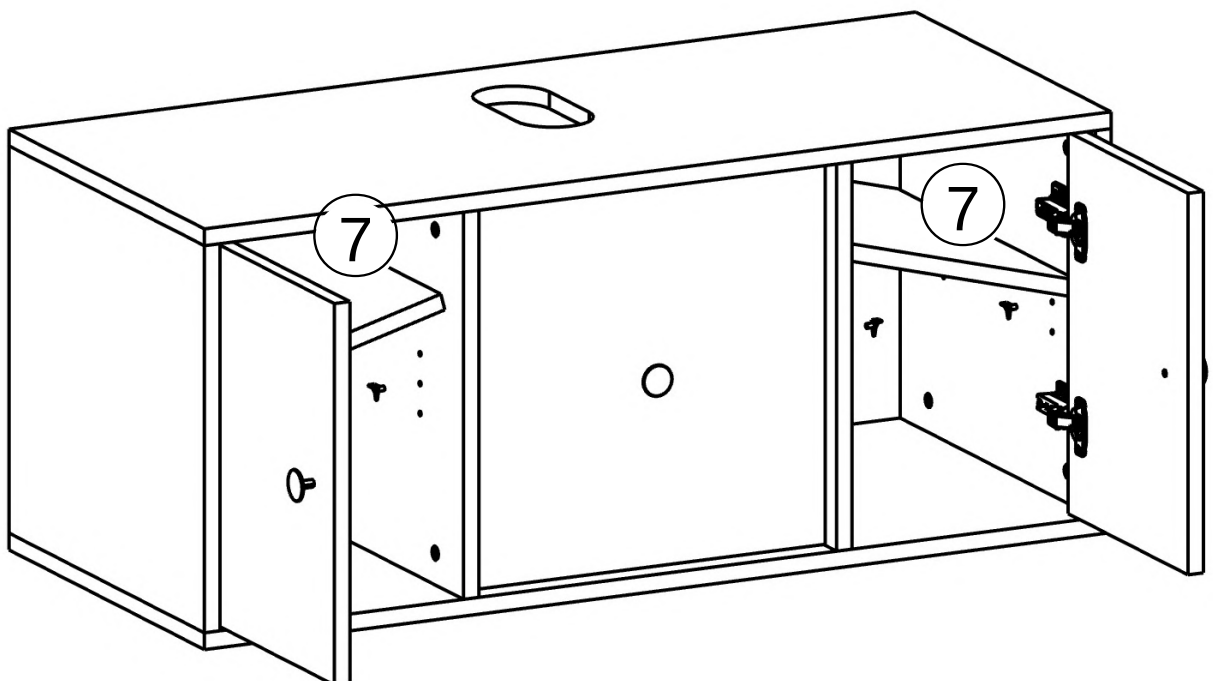
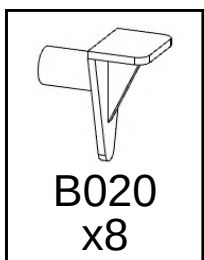
14



15



16



8