

ASİMO AYAKKABILIK



Dear Customer,

We design and produce our products for people to love and have fun with them as we do.

The product you bought was subjected to all sorts of tests and control before sending out to you.



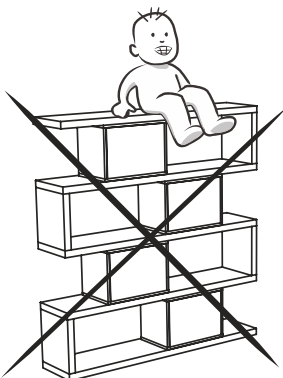
Before start assembling, please check the whole components and accessories according to the lists. If you bought more than one product, to prevent confusion be sure that you completed the first product. Then start the other product's assembling.



Before start assembling, please clean all the components with a damp cloth. Also for usual cleaning, this will be enough.



Although all the products are produced and packed carefully, sometimes happen that some component is damaged during the transportation. In such a case please check the missing or damaged part and do not hesitate to contact us. You can send e-mail to info@xxxxxxxxxxxxxxxx.com or reach us at xx xxx xxx xx xx

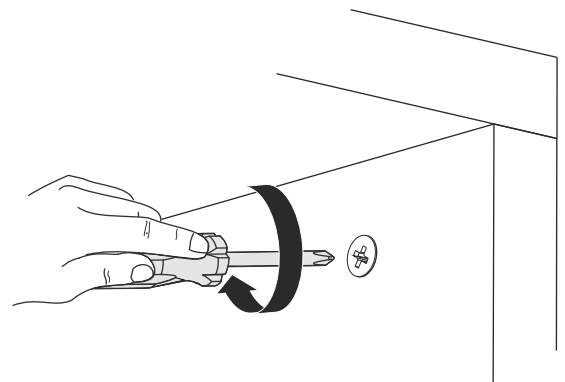
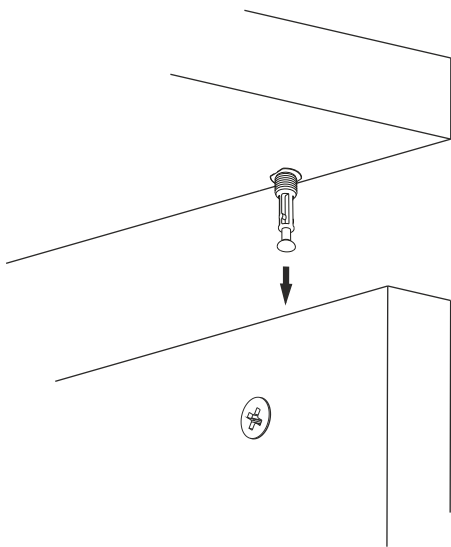
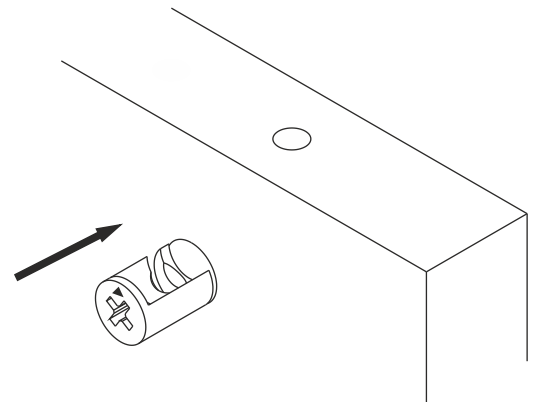
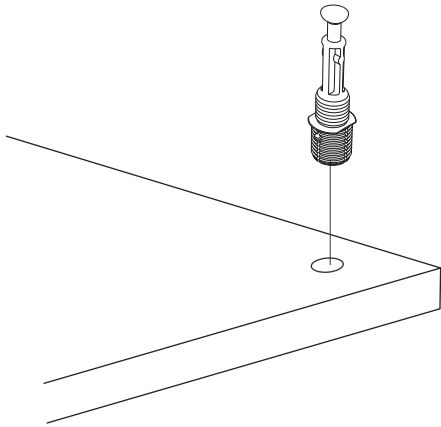
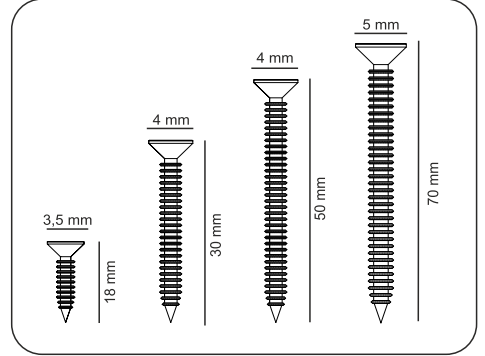
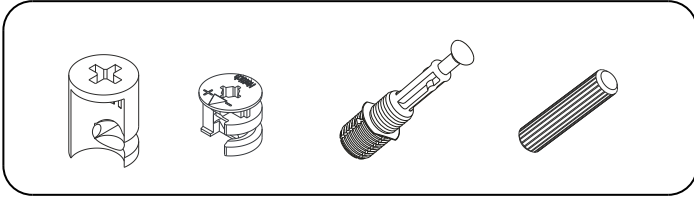


Do not use your furniture for out of purposes. If you would like to use it, please contact us for further questions.

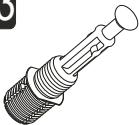

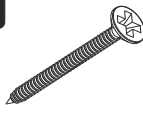


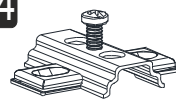
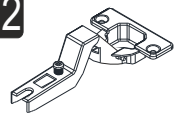


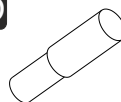
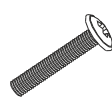



Do not directly contact your furniture with excessive heat, cold and humidity because the product can be affected..

ATTENTION !!

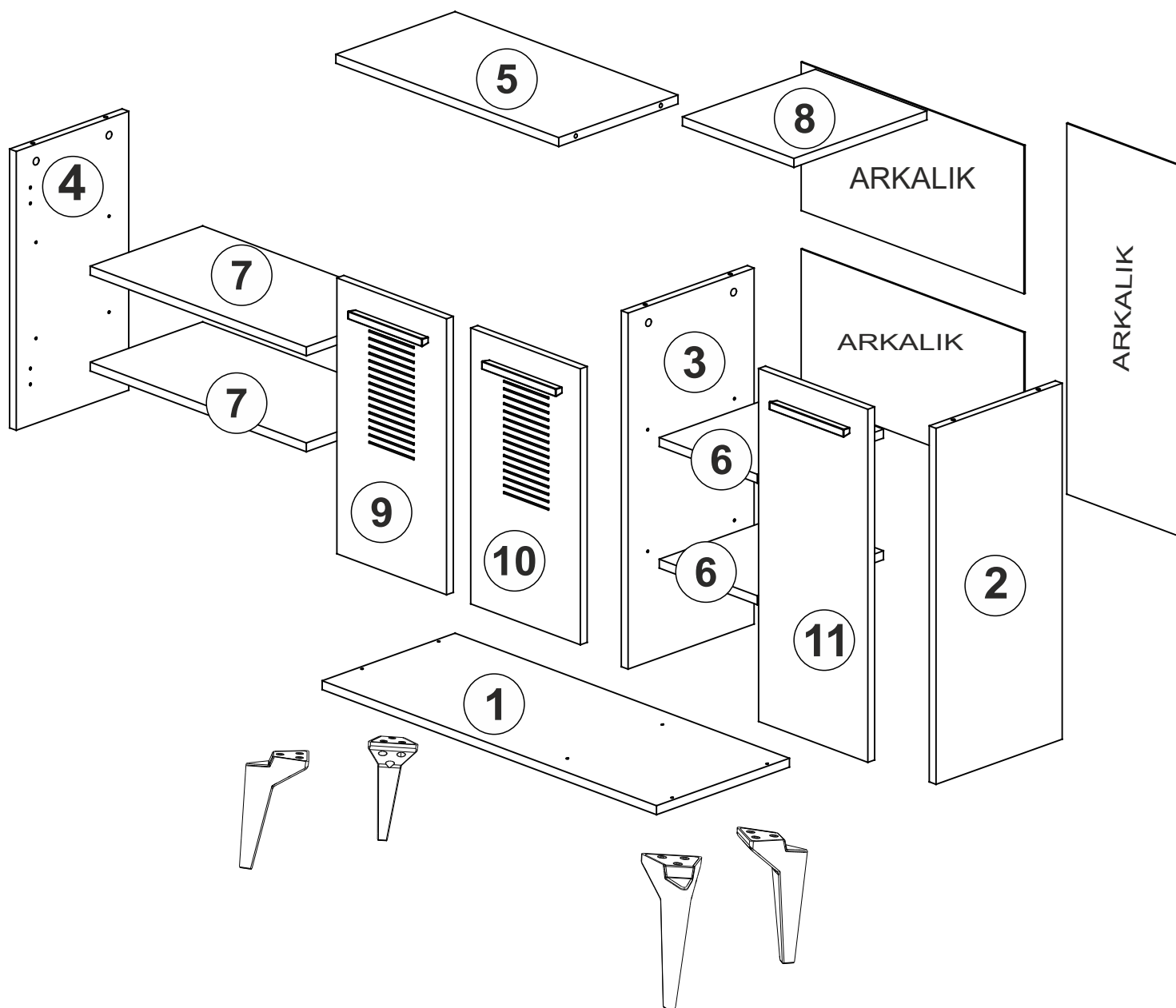
Minifix is the main connection material used in products. Before starting assembly, please check the drawings below.



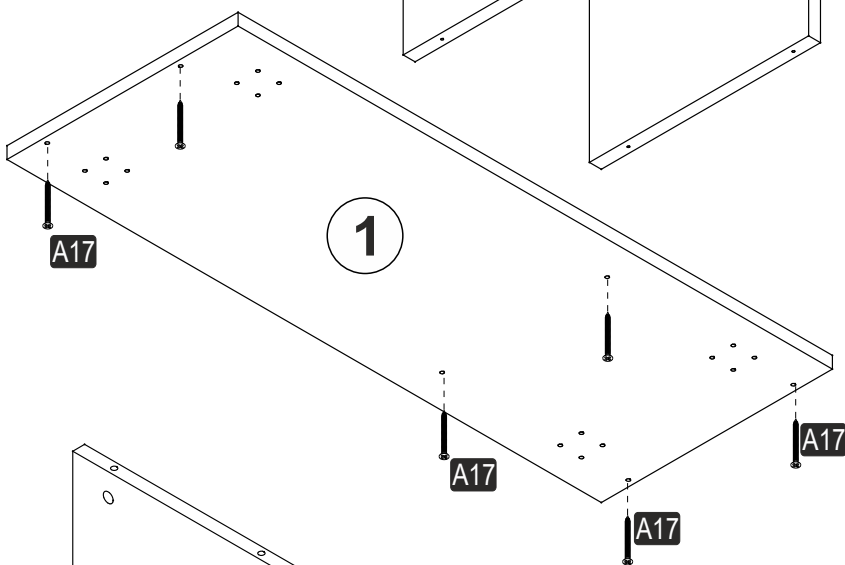
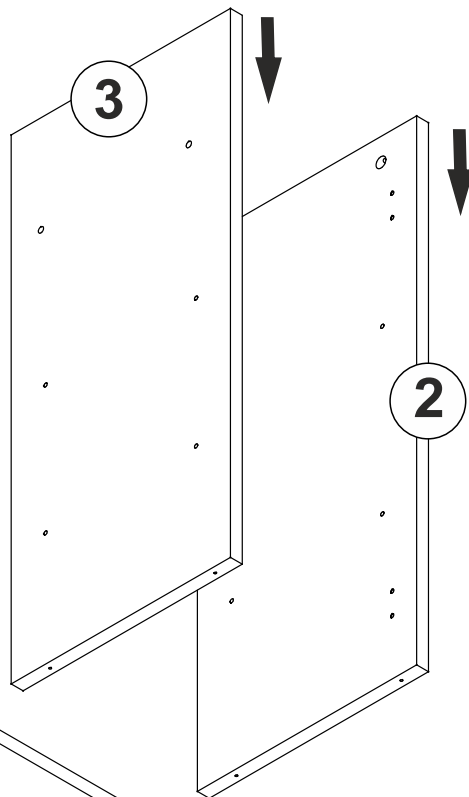
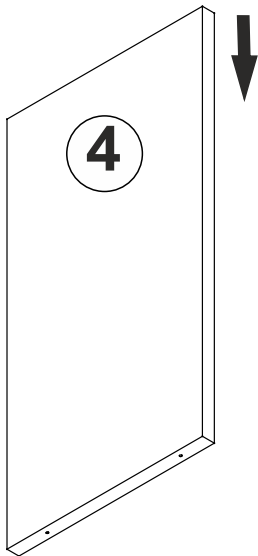
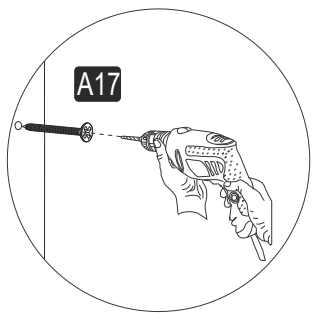
ACCESSORY LIST

| | | | | |
|--|---|--|---|--|
| A23 Minifix M8  16x | A22 Minifix G18  16x | A17 4x50  6x | A18 3,5x18  24x | C01 DM  4x |
| C04 MA  6x | C02 SDM  2x | V51 Elegance Ayak  4x | A48 AC  40x | A65 RP  16x |
| A49 KLPVD  20mm 6x | K21  3x | A06 18 mm  16x | A29 3,5x30 YHB vida  16x | 0x |

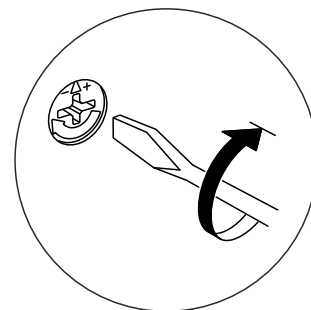
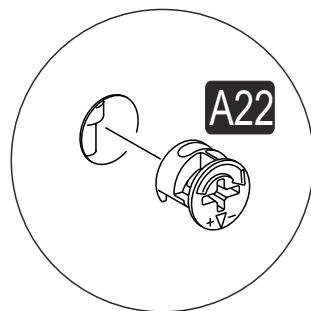
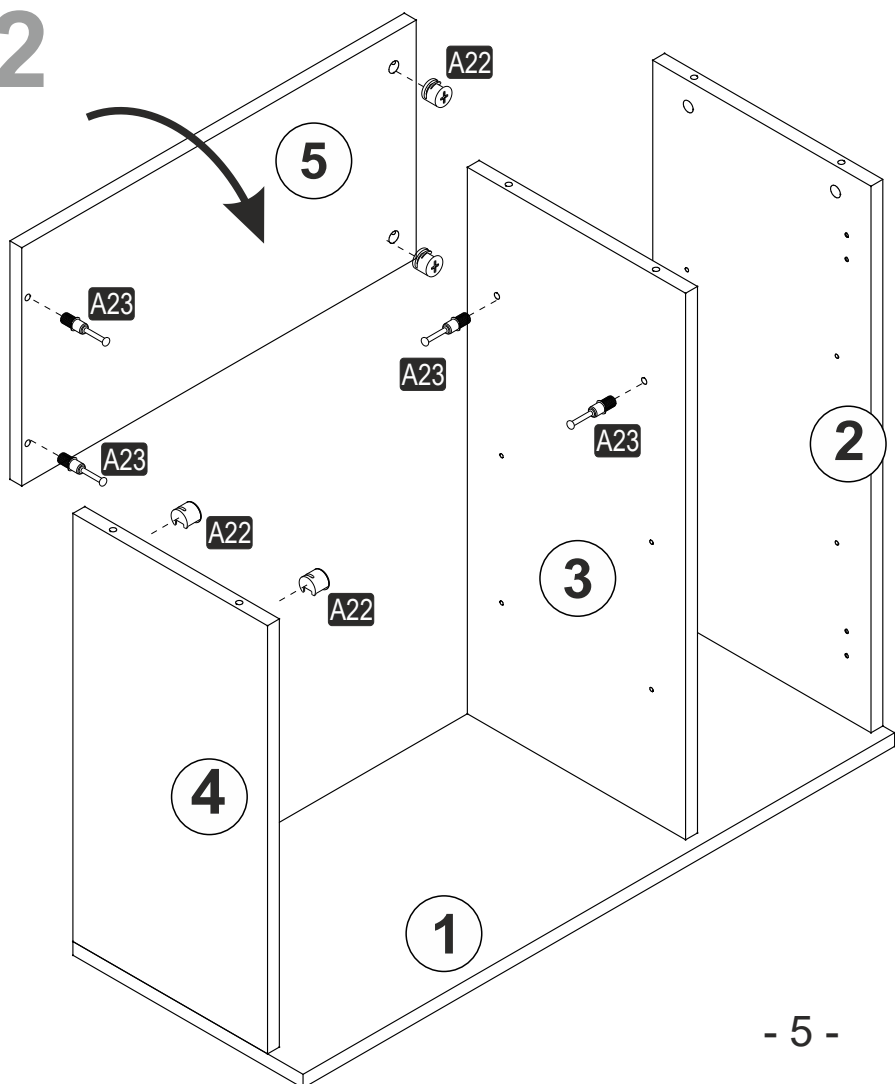
GENERAL VIEW



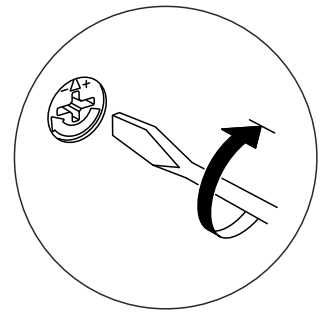
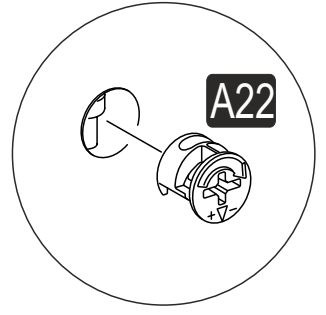
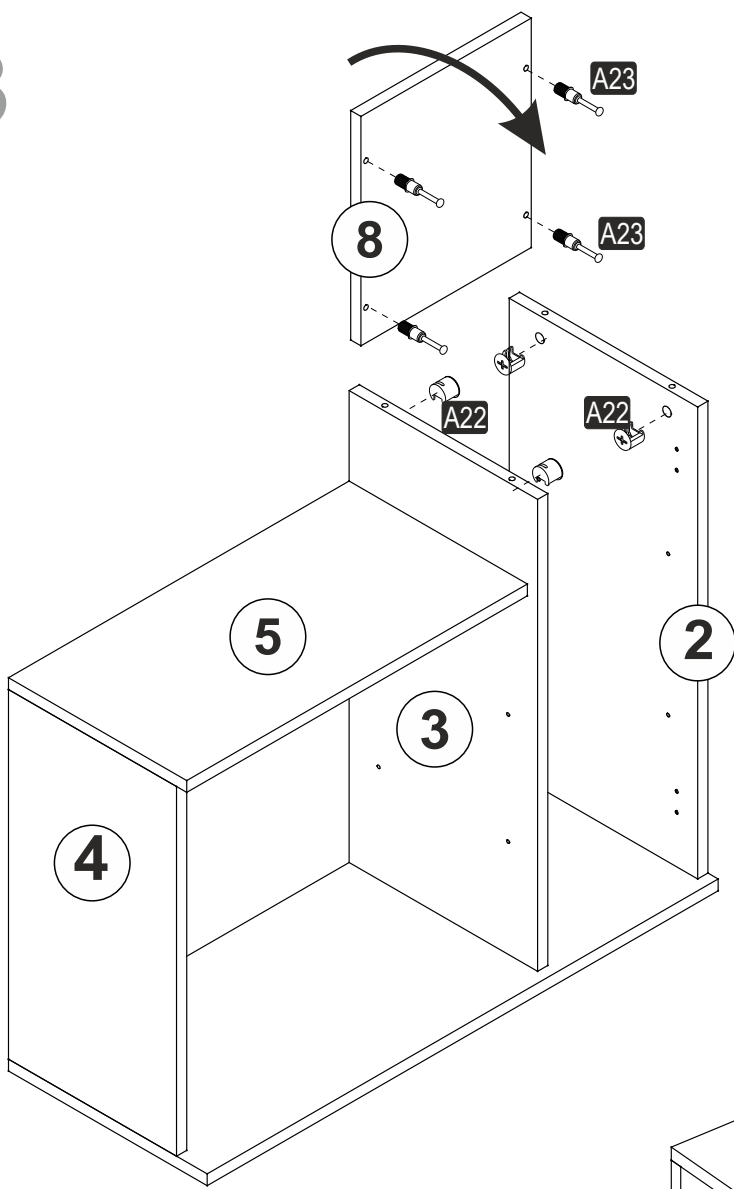
1



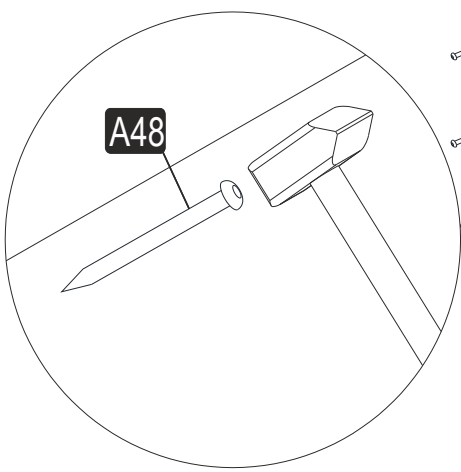
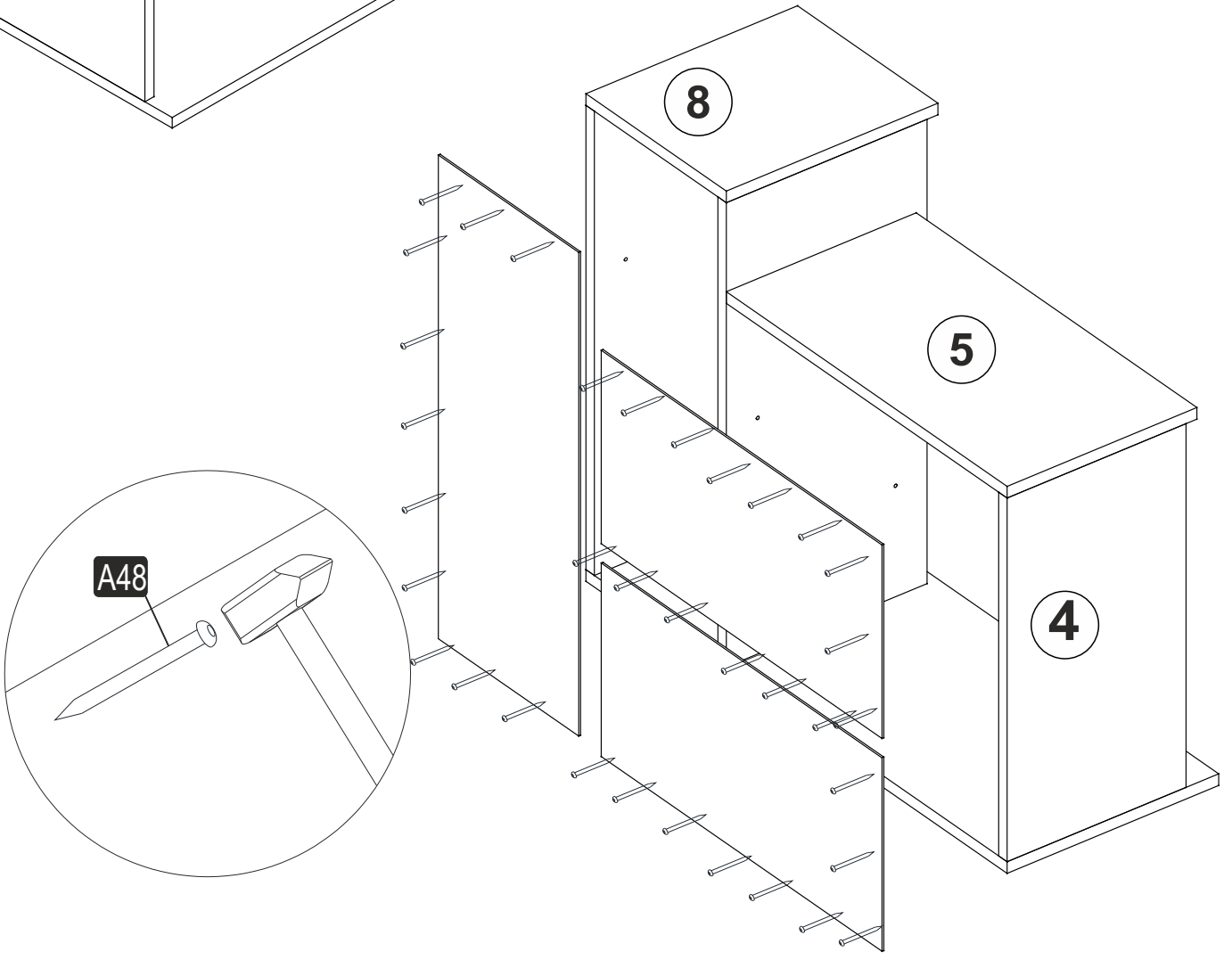
2



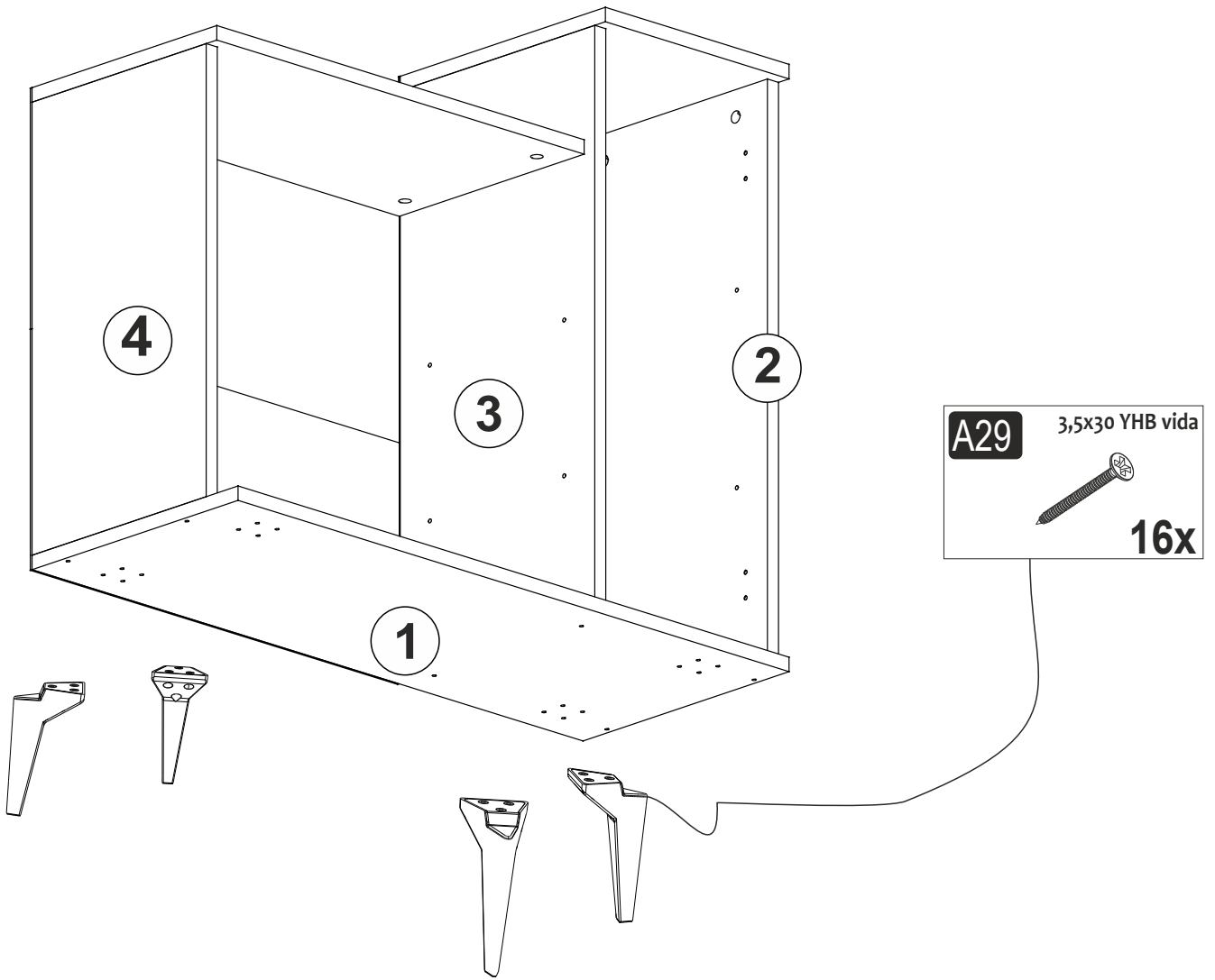
3



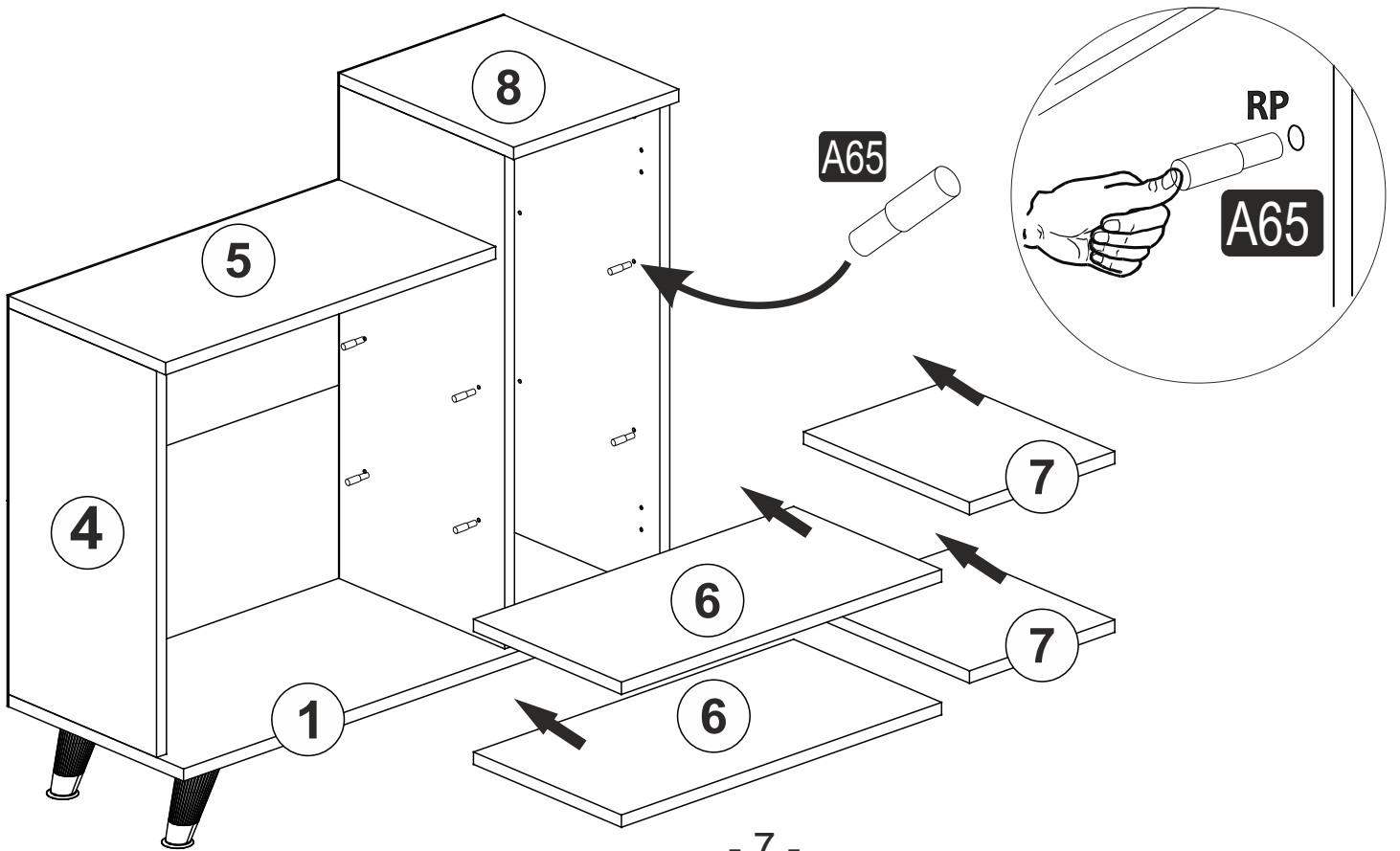
4



5



6



7

8

