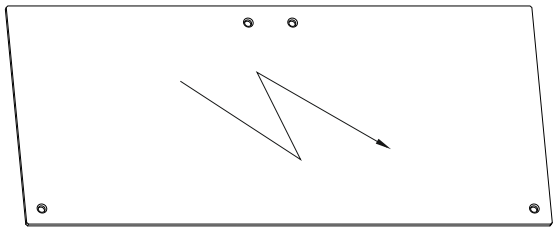
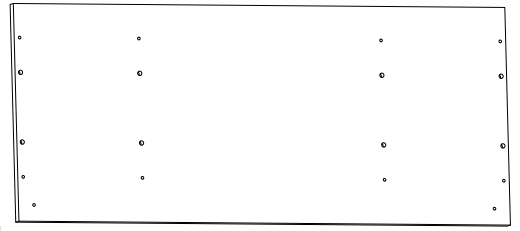


PO 110 05

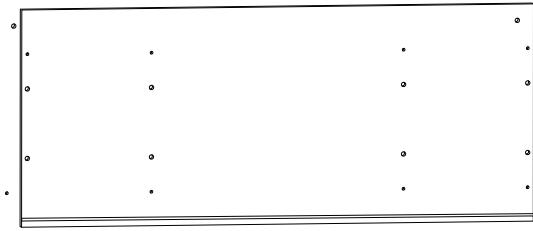
1 x 1



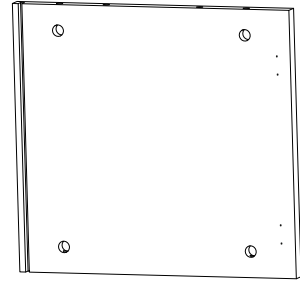
2 x 1



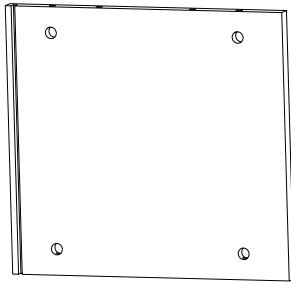
3 x 1



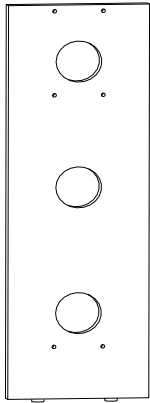
4 x 2



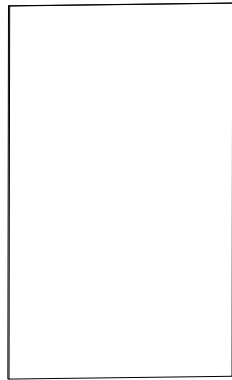
6 x 2



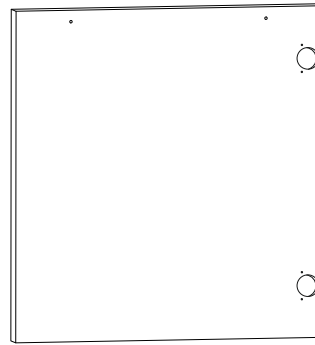
9 x 1



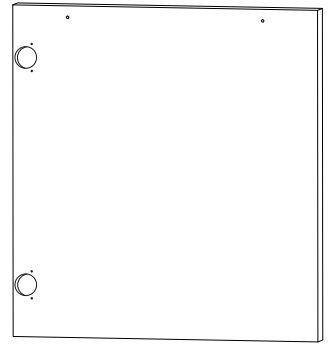
10 x 2



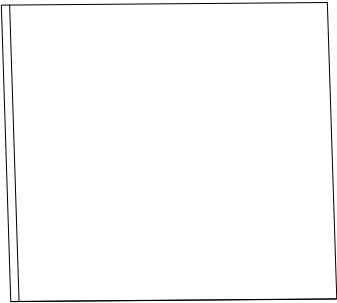
12 x 1



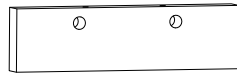
13 x 1

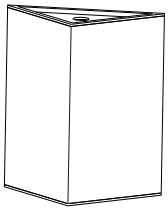


17 x 1

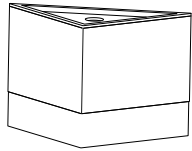


18 x 1

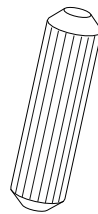




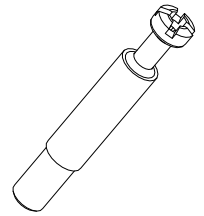
7 x 2



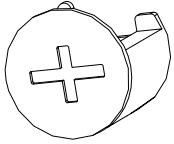
8 x 2



21 x 16



22 x 16

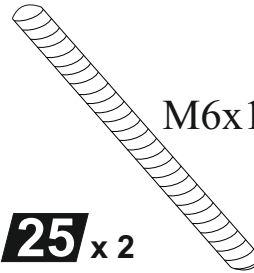


23 x 16



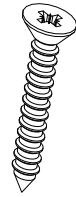
3,5x16

24 x 20



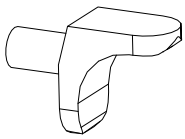
M6x150

25 x 2

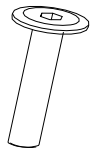


4x40

26 x 6



27 x 4



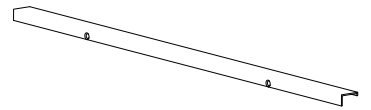
M6x15

28 x 2

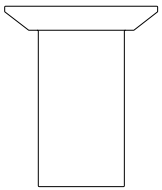


M6x70

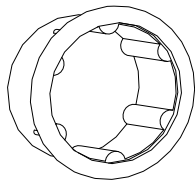
29 x 2



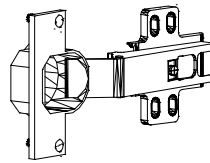
30 x 2



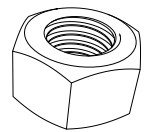
31 x 4



32 x 3

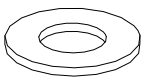


33 x 4



M6

34 x 2



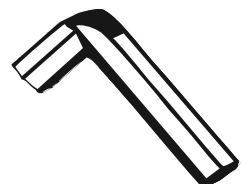
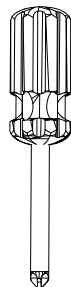
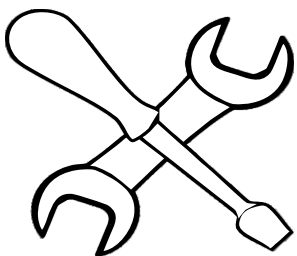
35 x 2



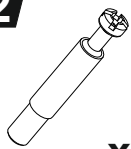
36 x 6



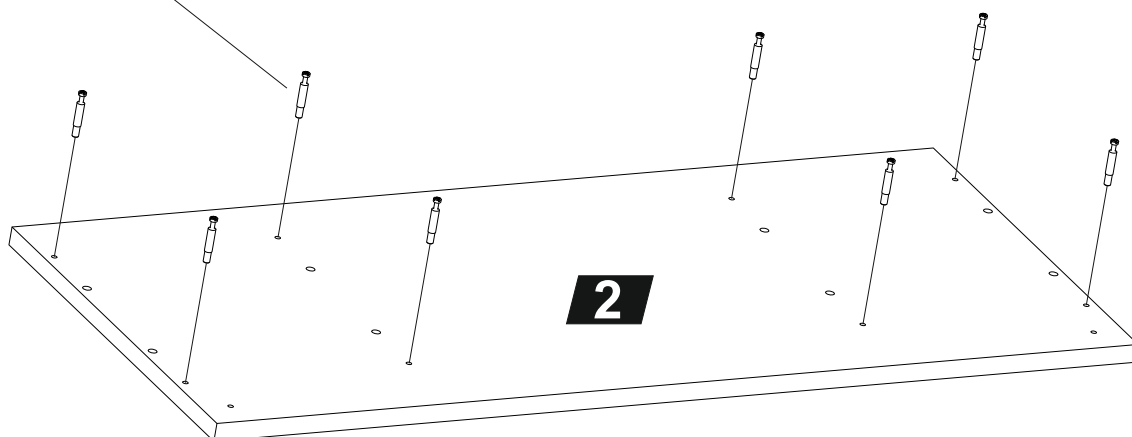
45 x 16



22



x 8

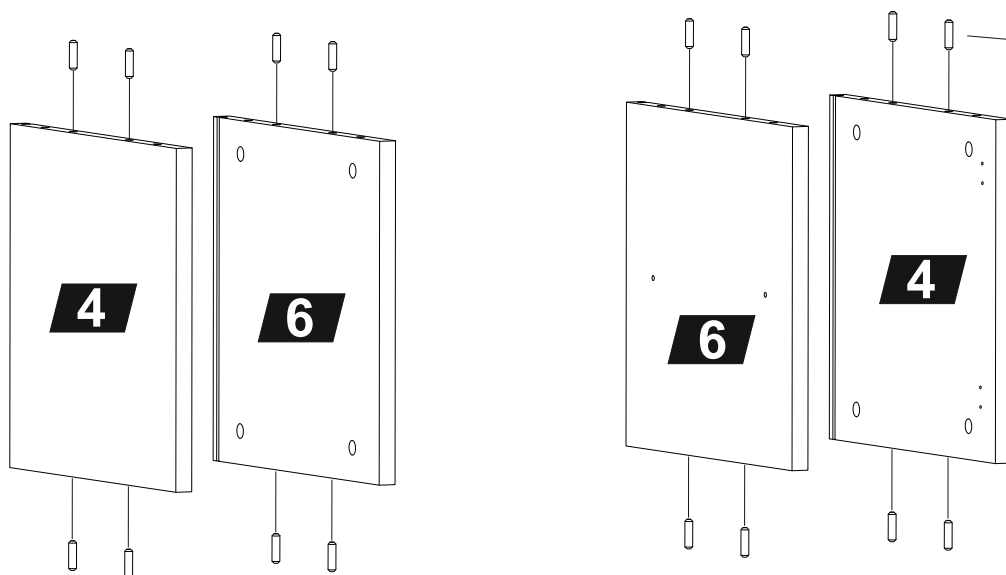


1

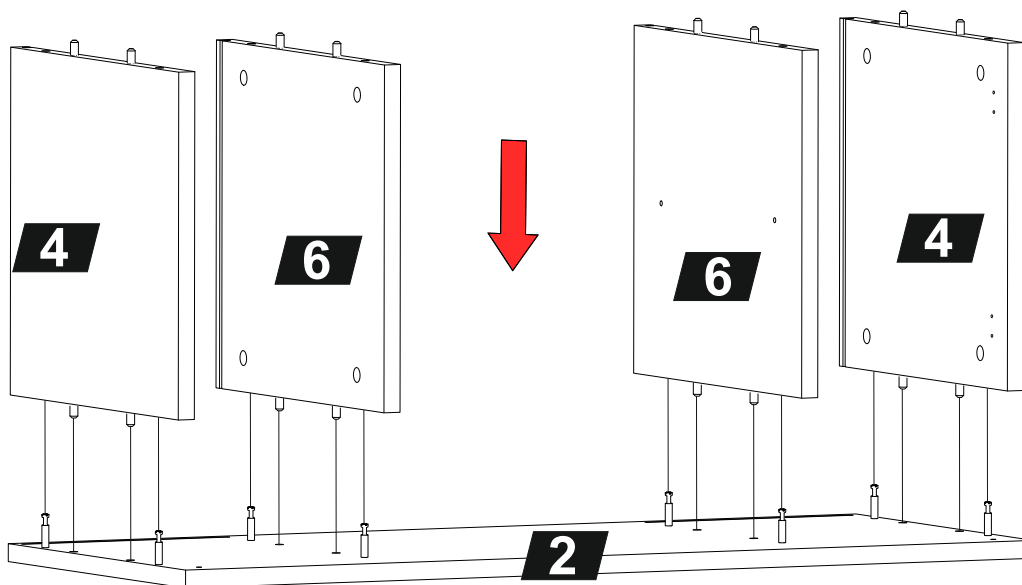
21



x 16

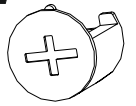


2

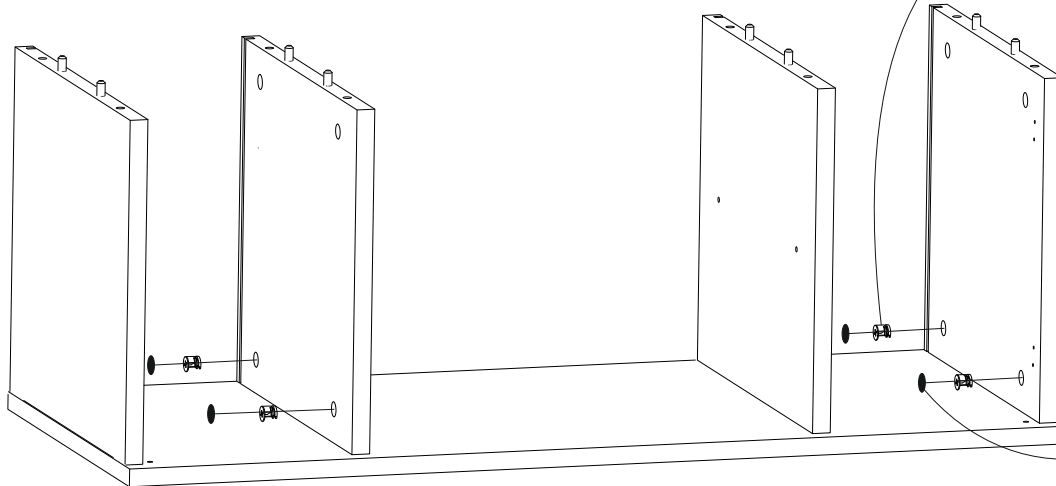


3

23



x 4



4

23

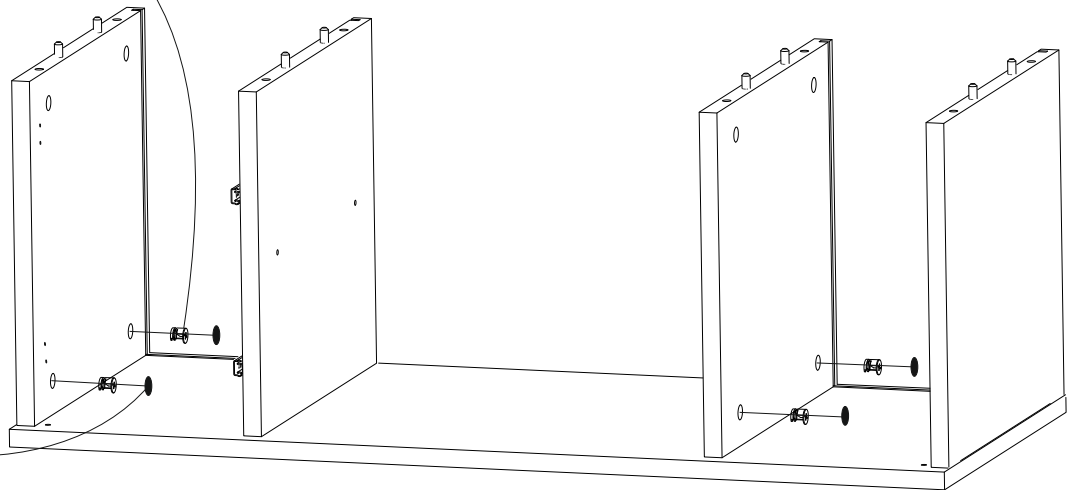


x 4

45

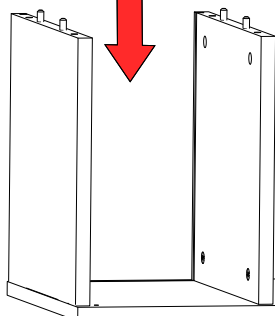


x 4

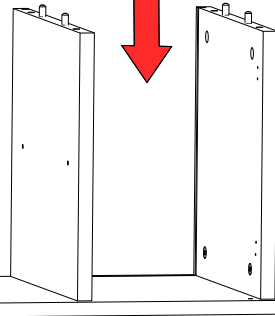


5

10

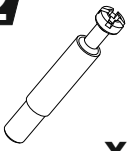


10

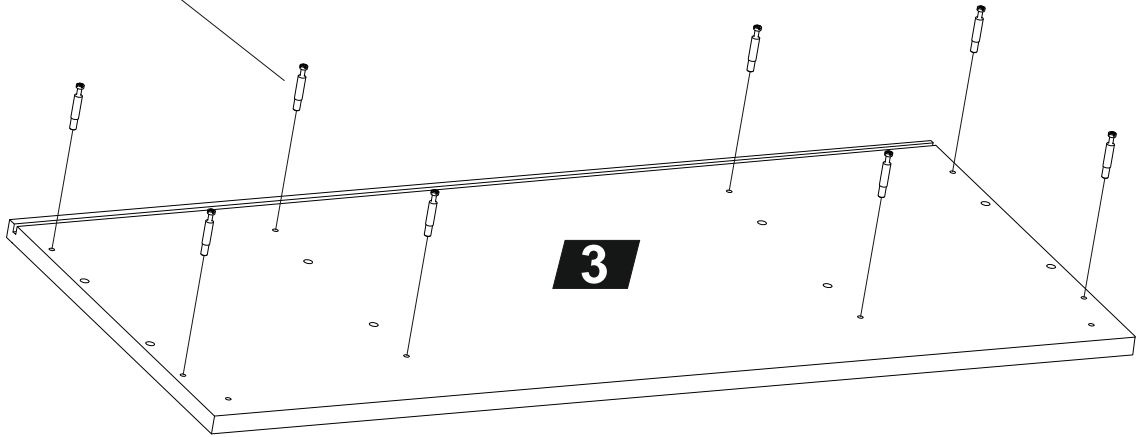


6

22



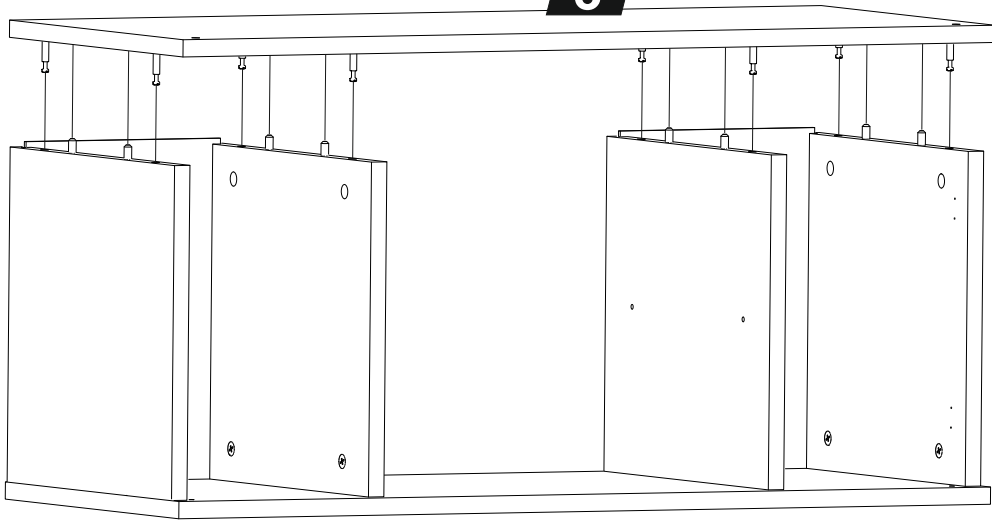
x 8



7



3



8

23

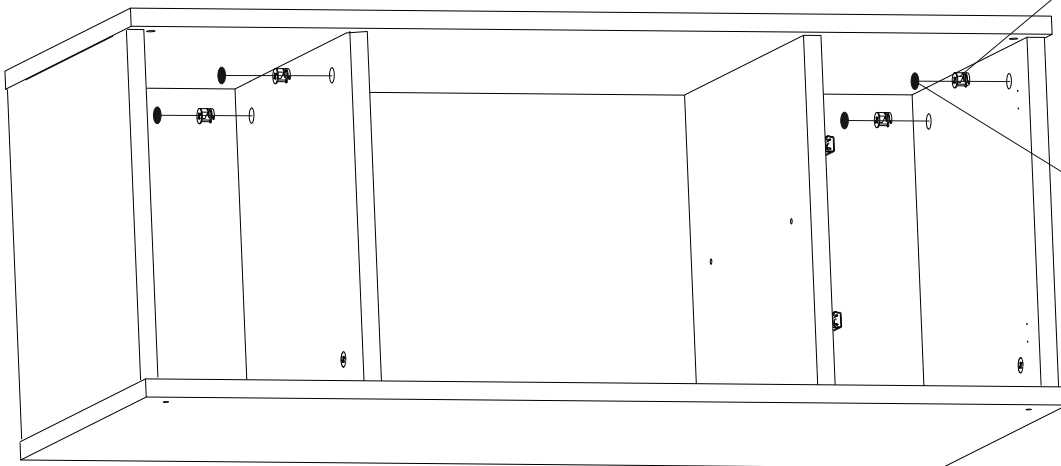


x 4

45



x 4



9

23

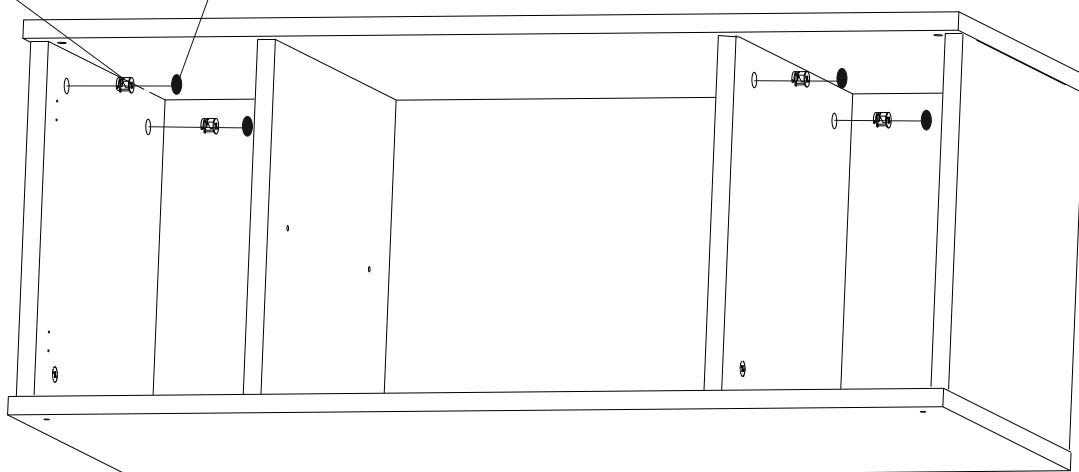


x 4

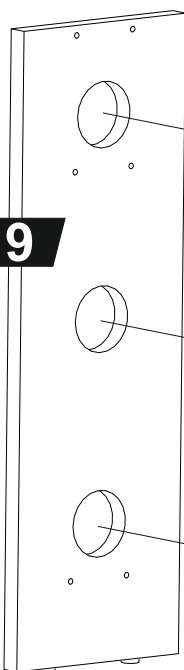
45



x 4



10



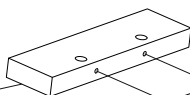
9



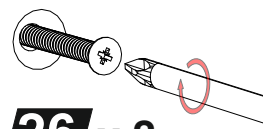
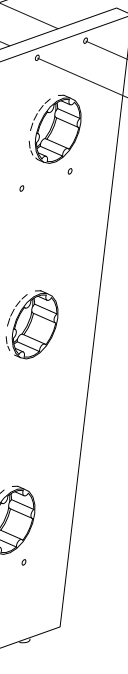
32



18

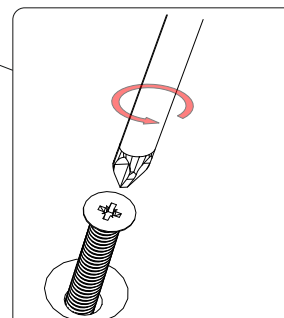
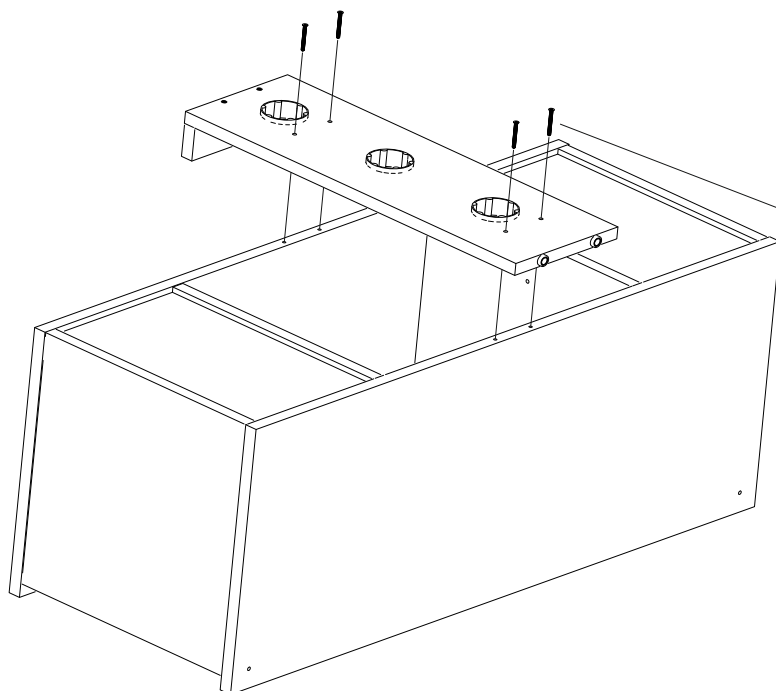


9



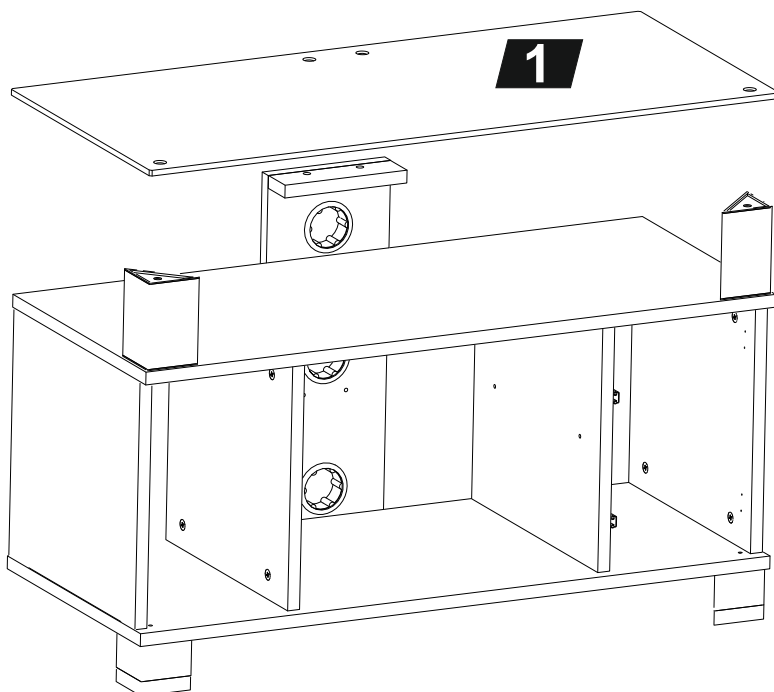
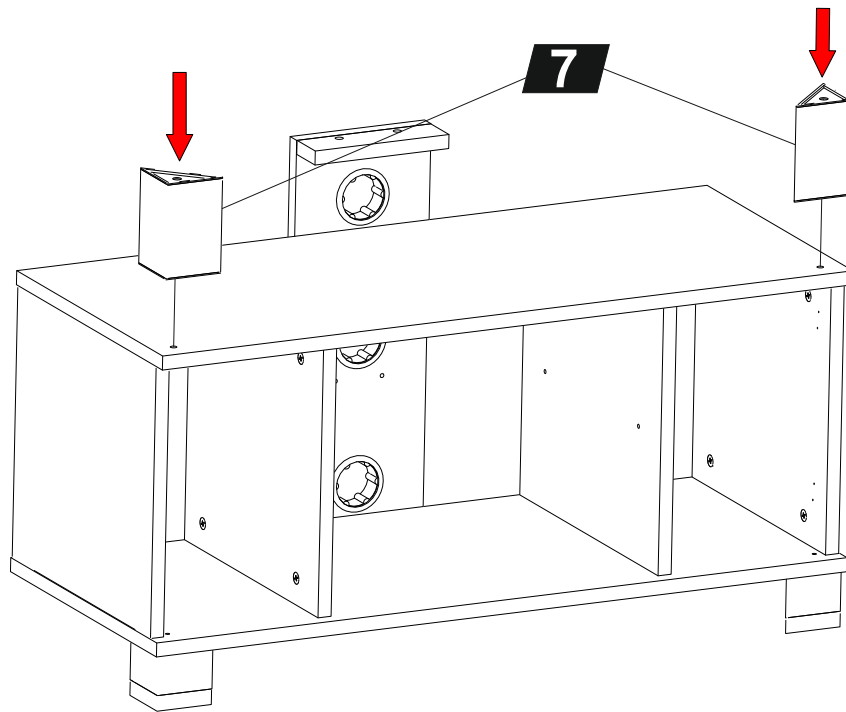
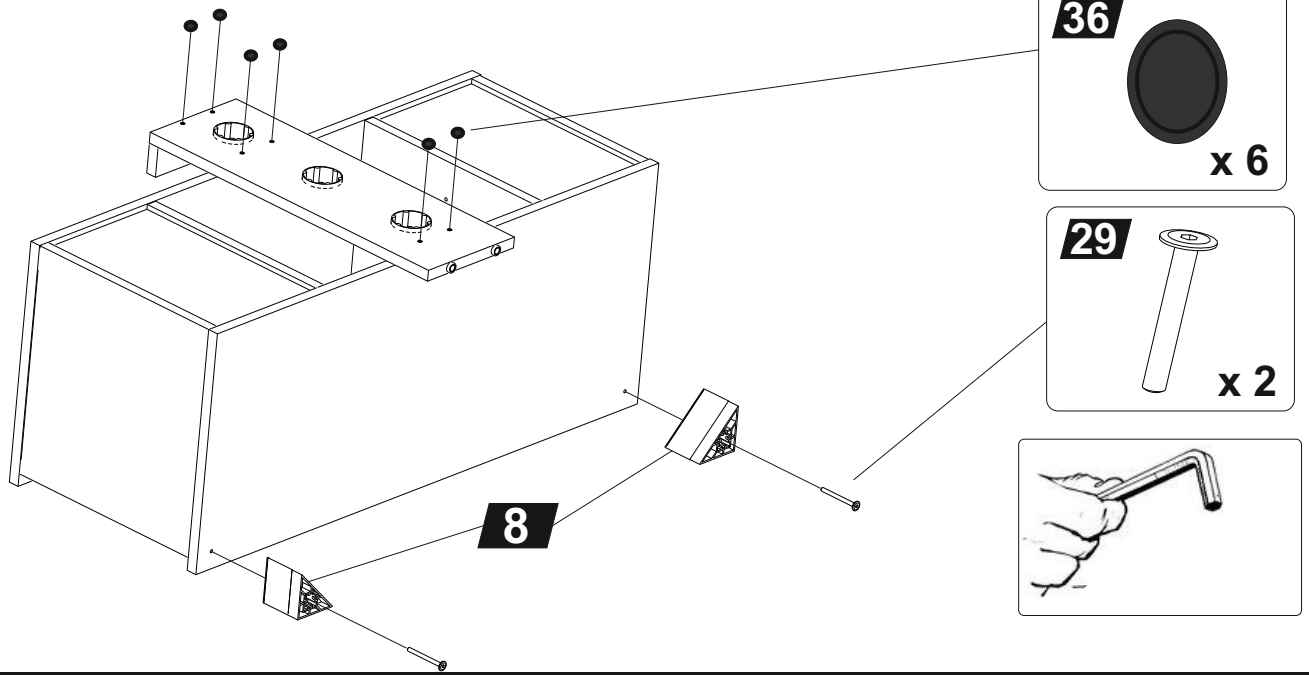
26 x 2

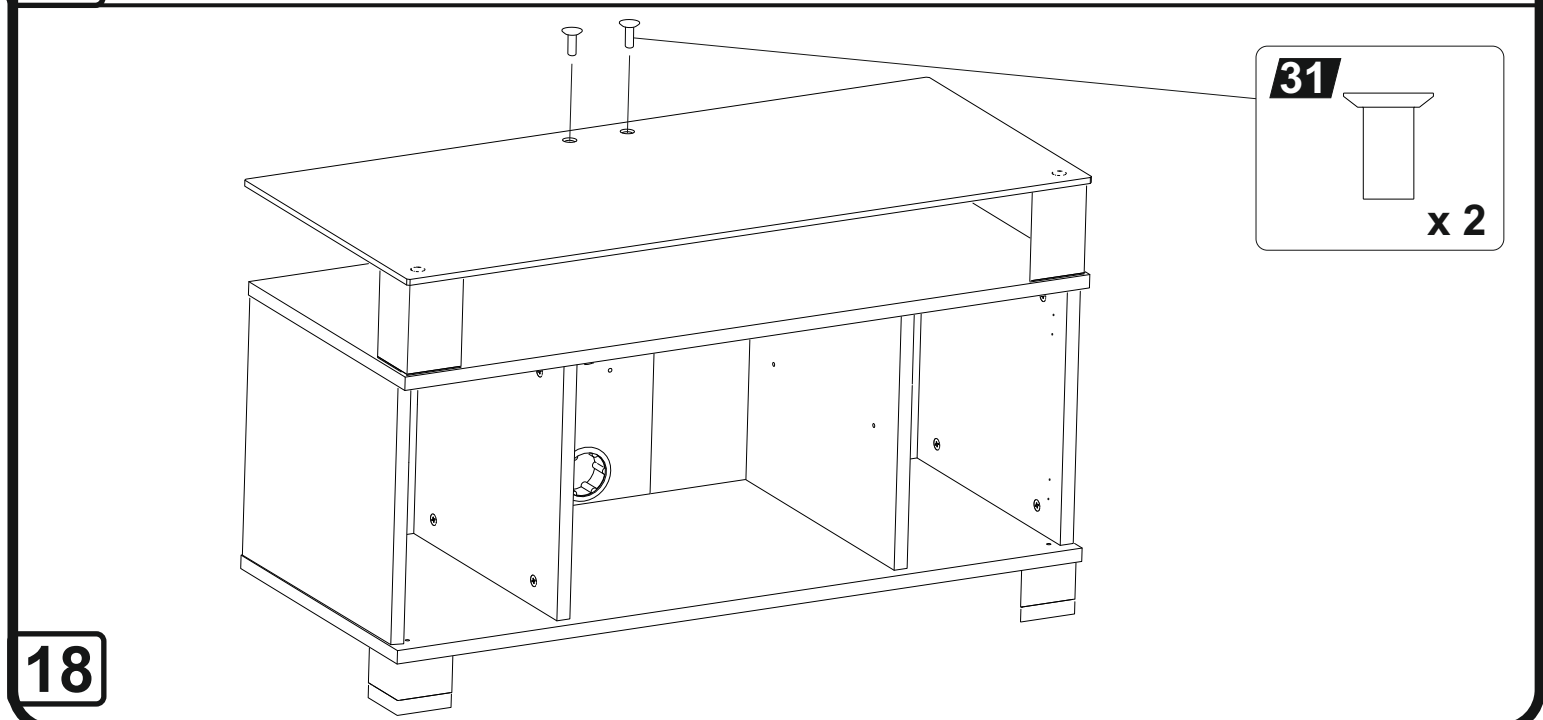
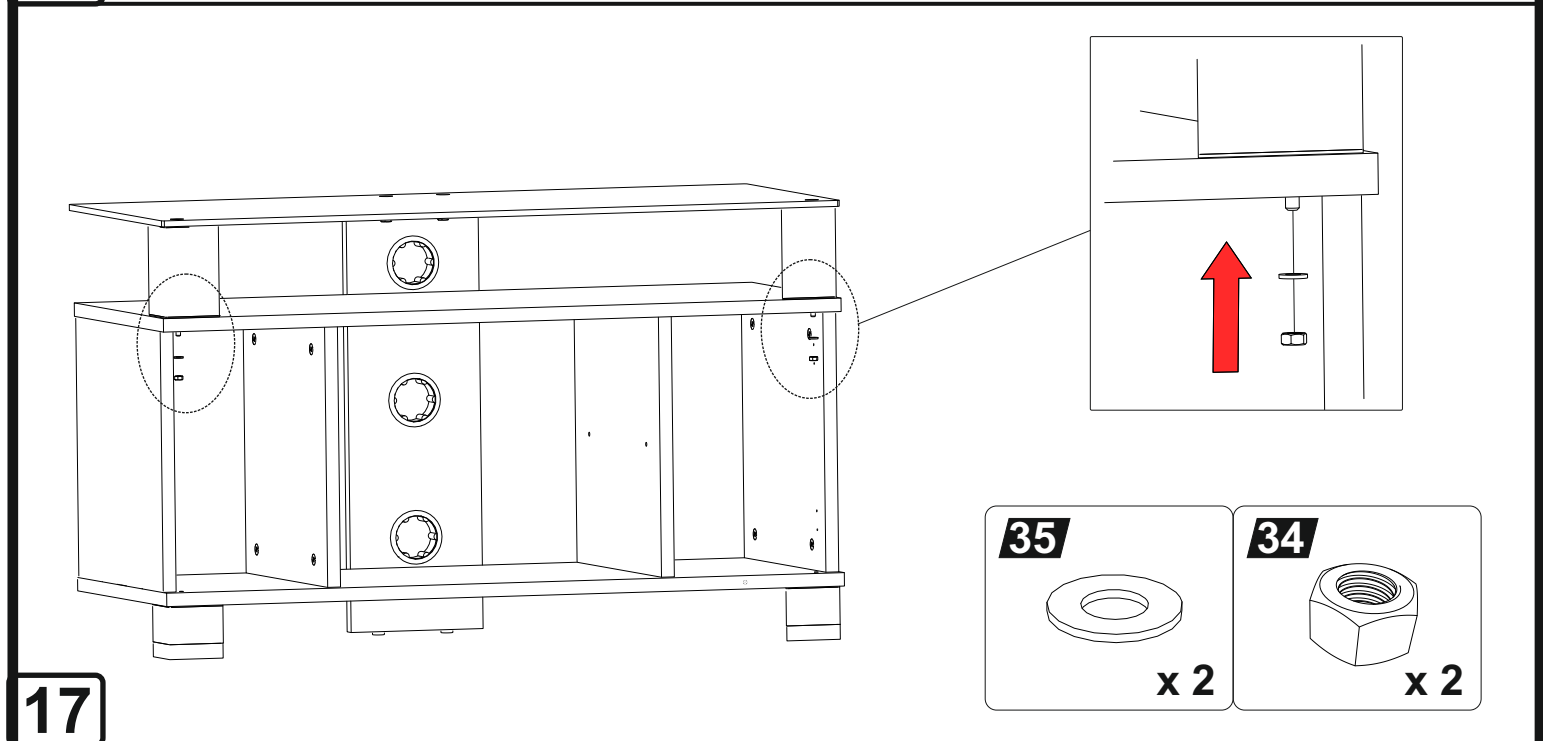
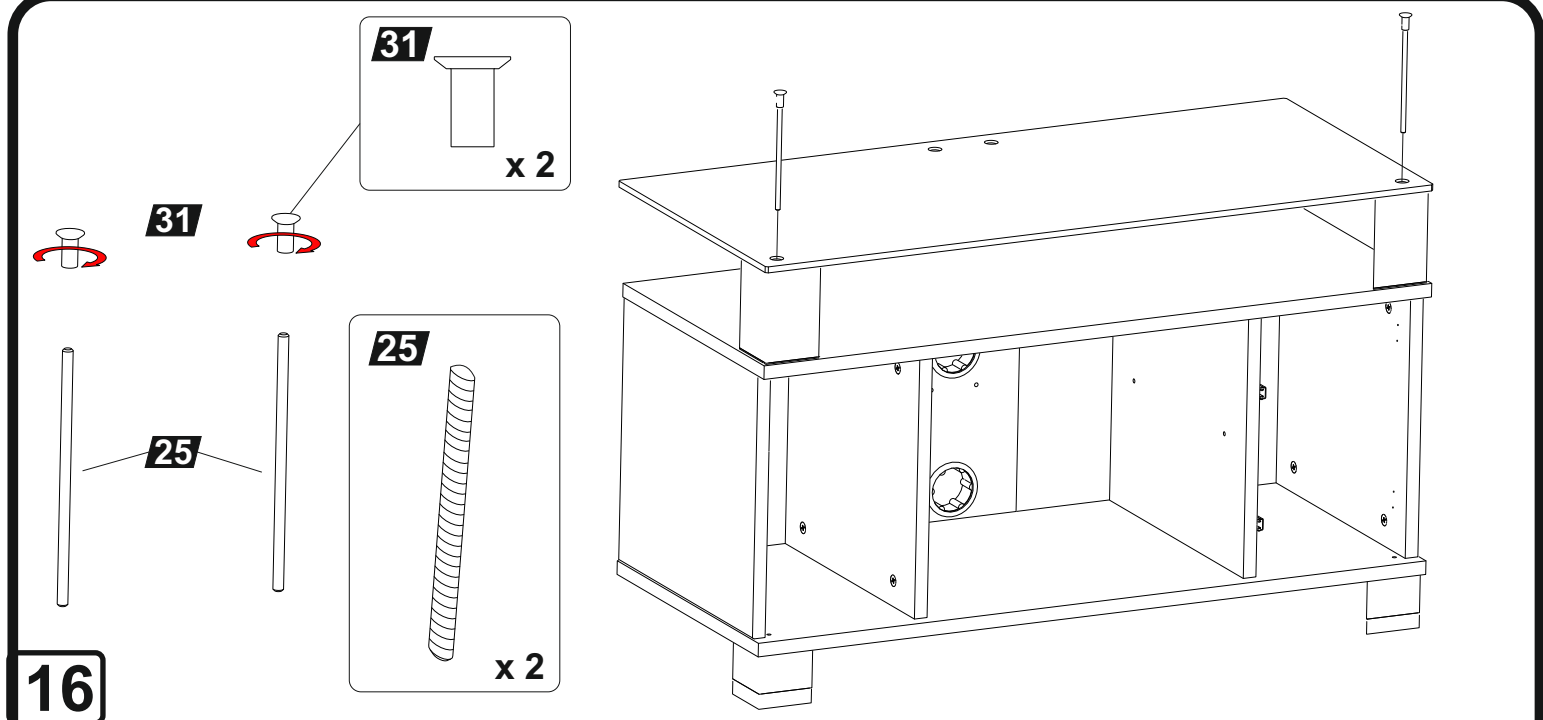
11

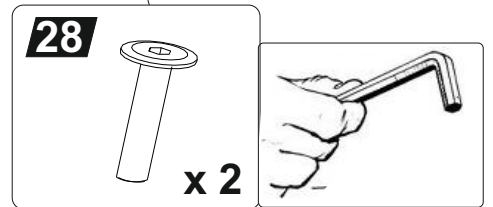
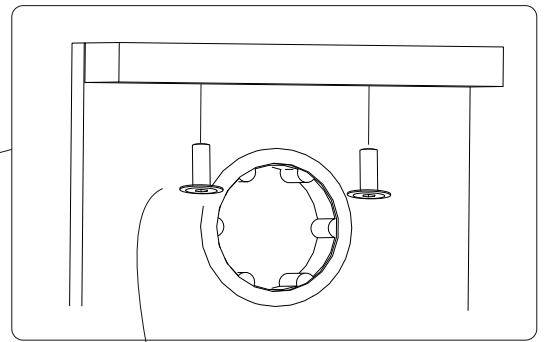
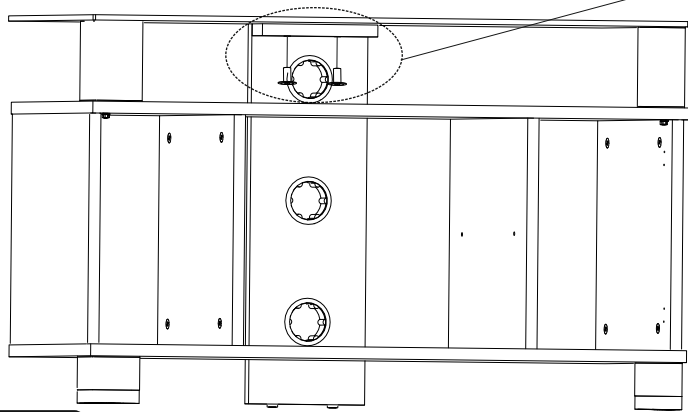


26 x 4

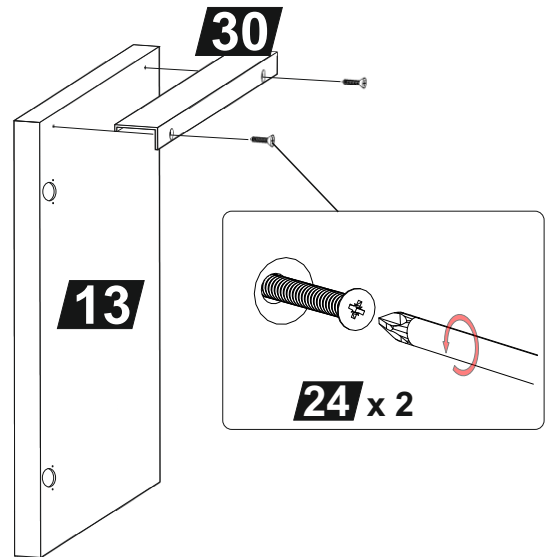
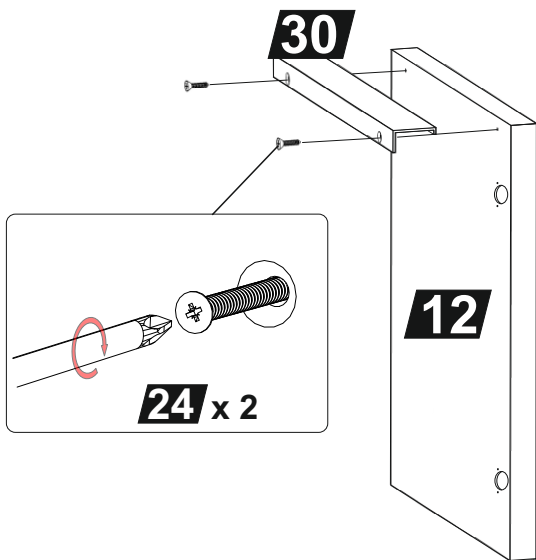
12





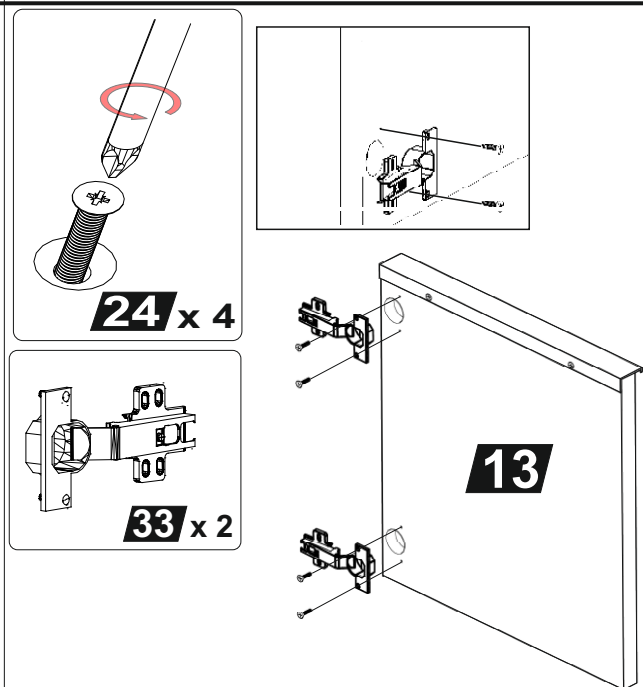
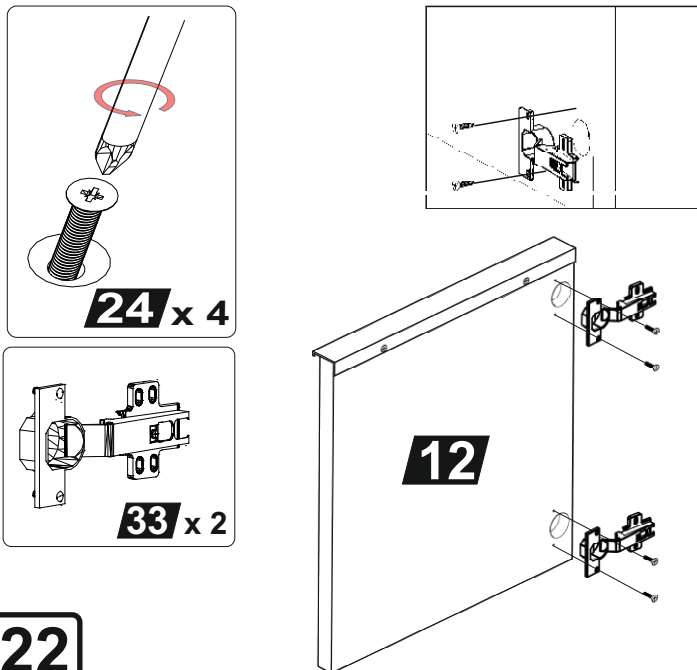


19



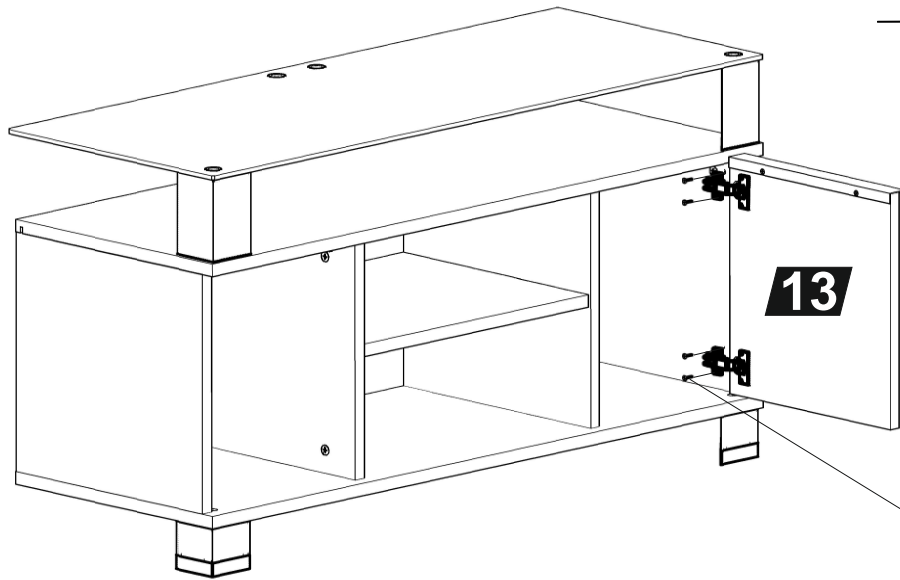
20

21



22

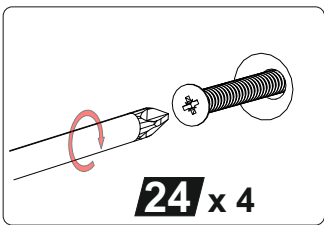
23



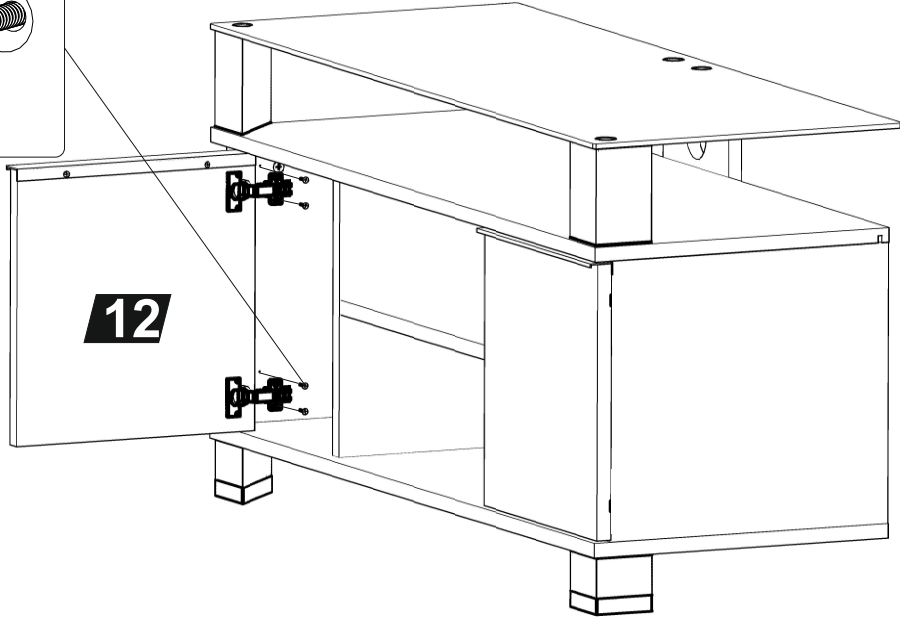
2mm

24 x 4

24



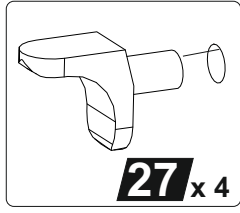
24 x 4



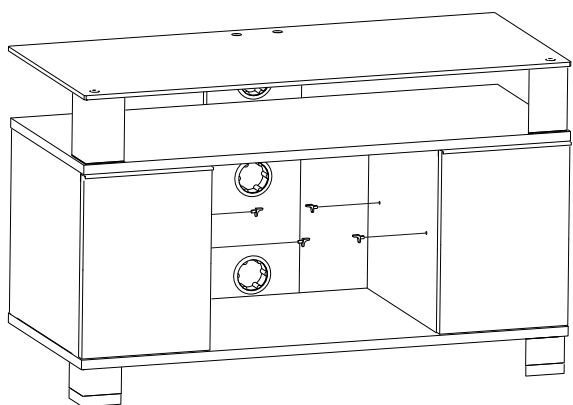
2mm

12

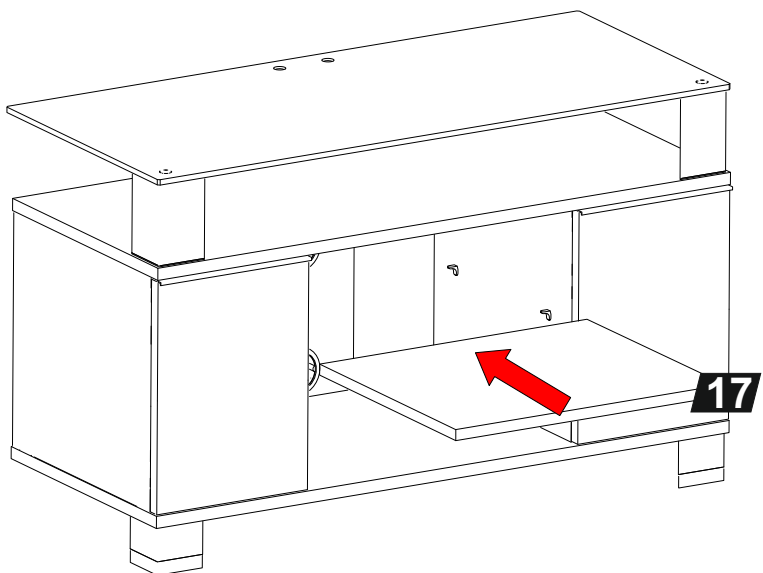
25



27 x 4



26



17