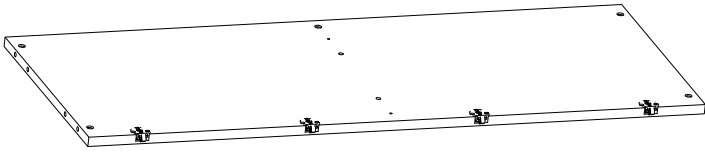
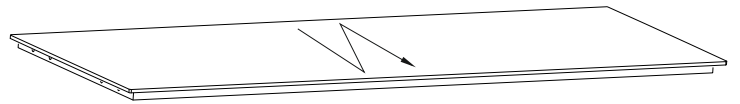


EX 120 - 04

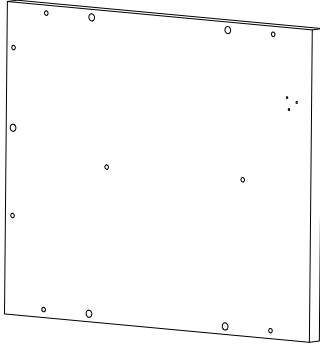
EX 140 - 03



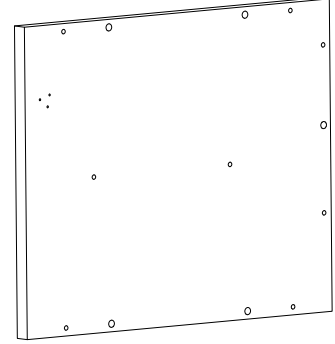
1 x 1



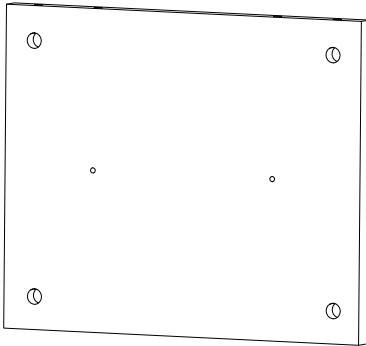
2 x 1



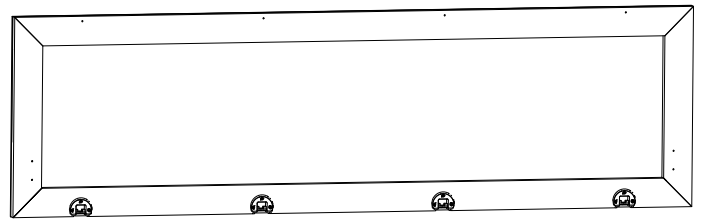
3 x 1



4 x 1



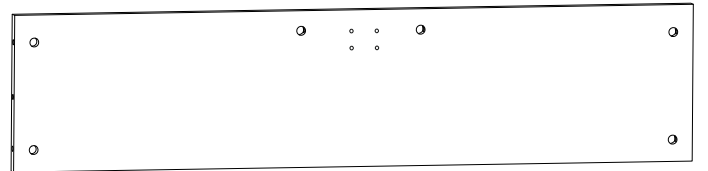
5 x 1



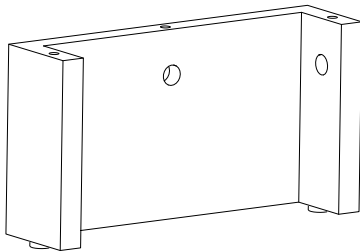
6 x 1



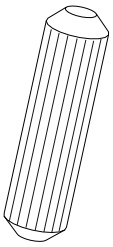
7 x 2



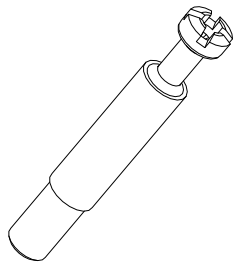
8 x 1



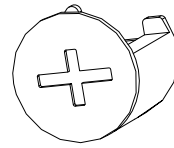
9 x 1



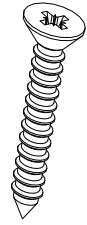
21 x 18



22 x 21



23 x 21



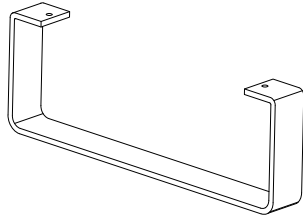
4x40

24 x 1



3,5x13

25 x 16

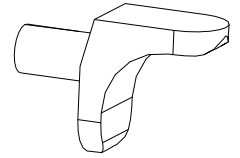


26 x 2

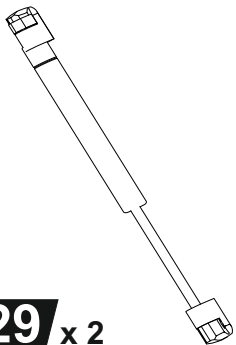


M6x15 ALLEN

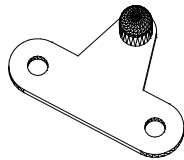
27 x 4



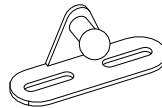
28 x 8



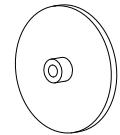
29 x 2



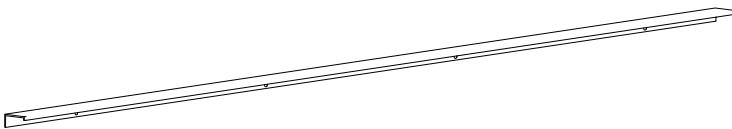
30 x 2



31 x 2



32 x10



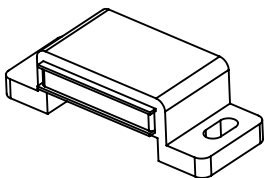
33 x 1



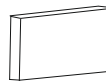
34 x1



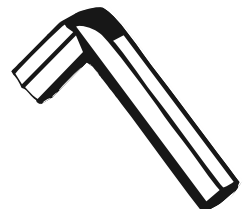
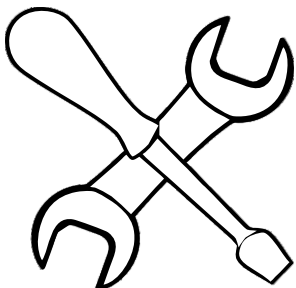
35 x 1

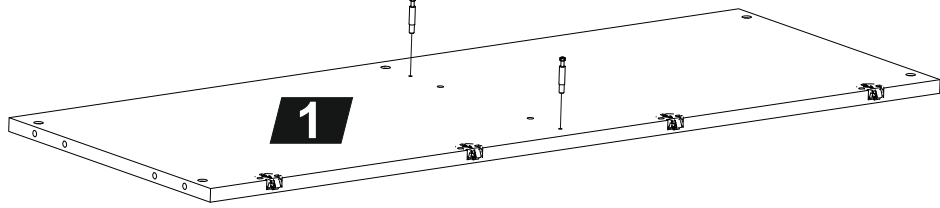
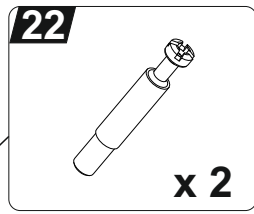
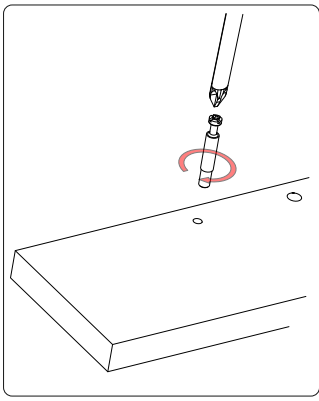


36 x 1

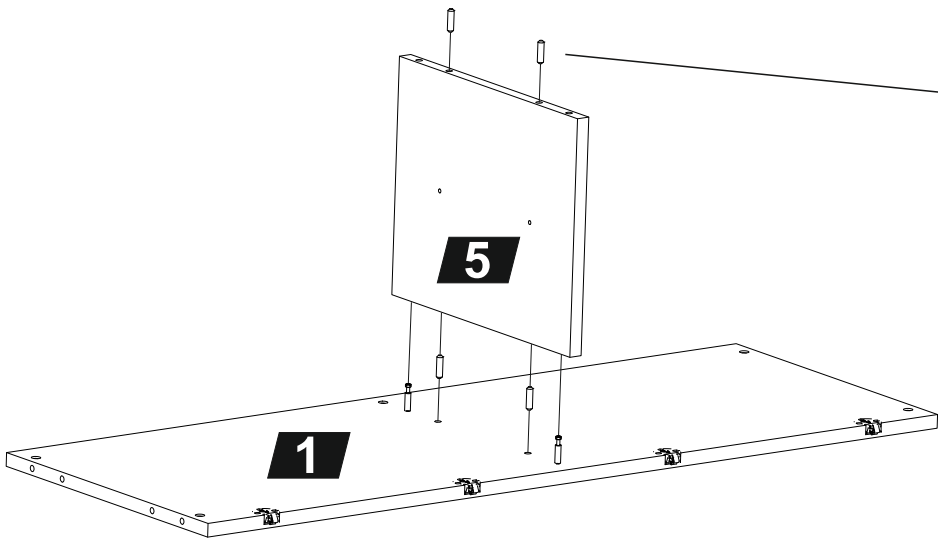
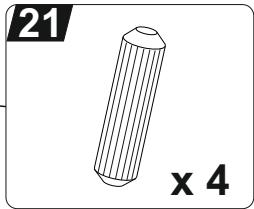


38 x 4

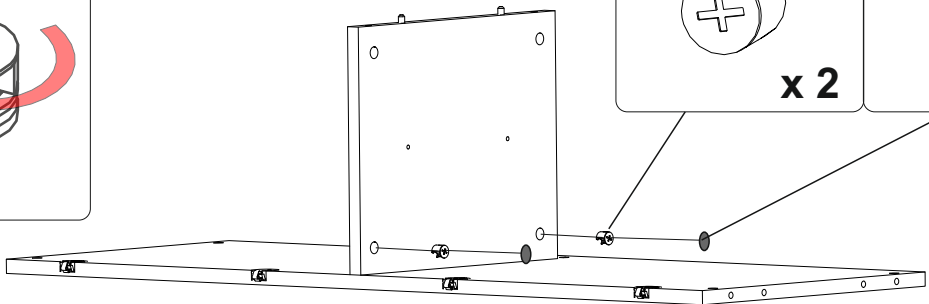
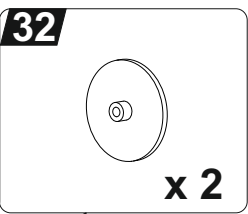
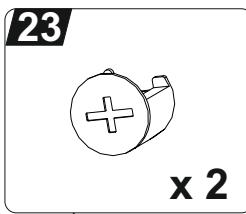
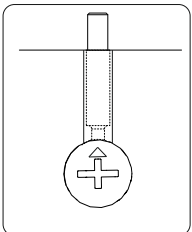
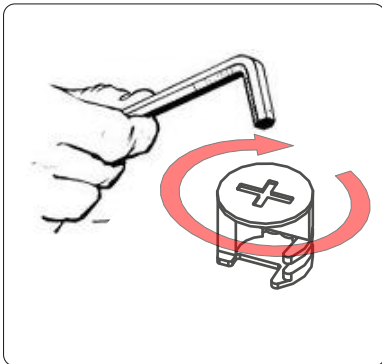




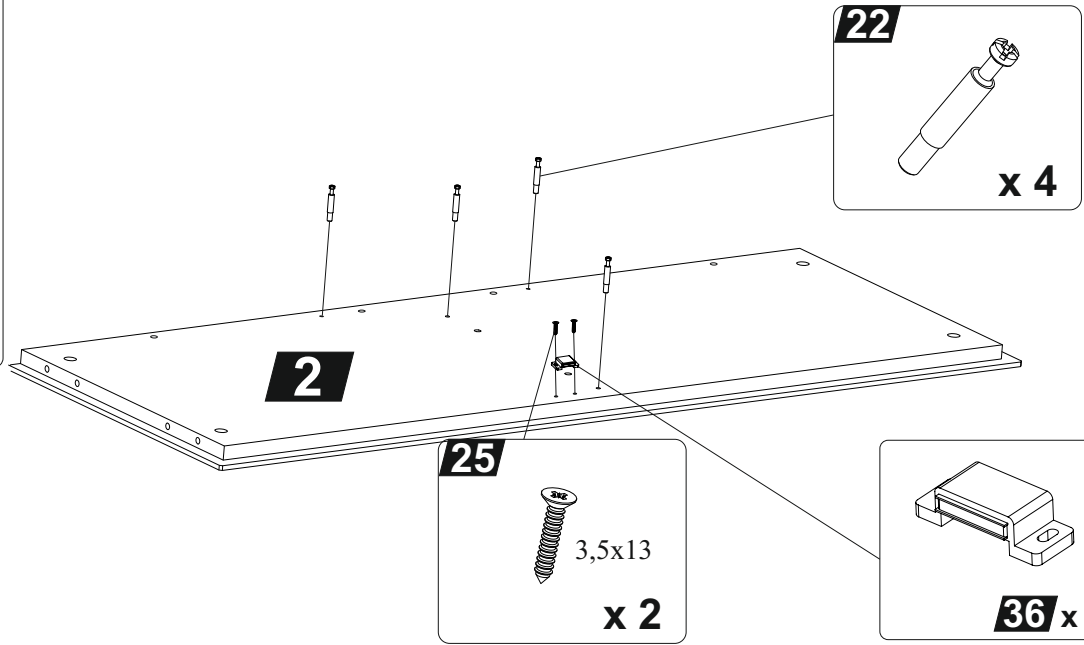
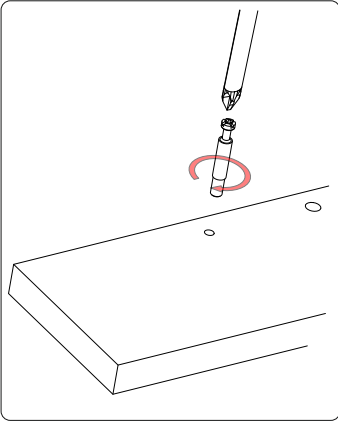
1



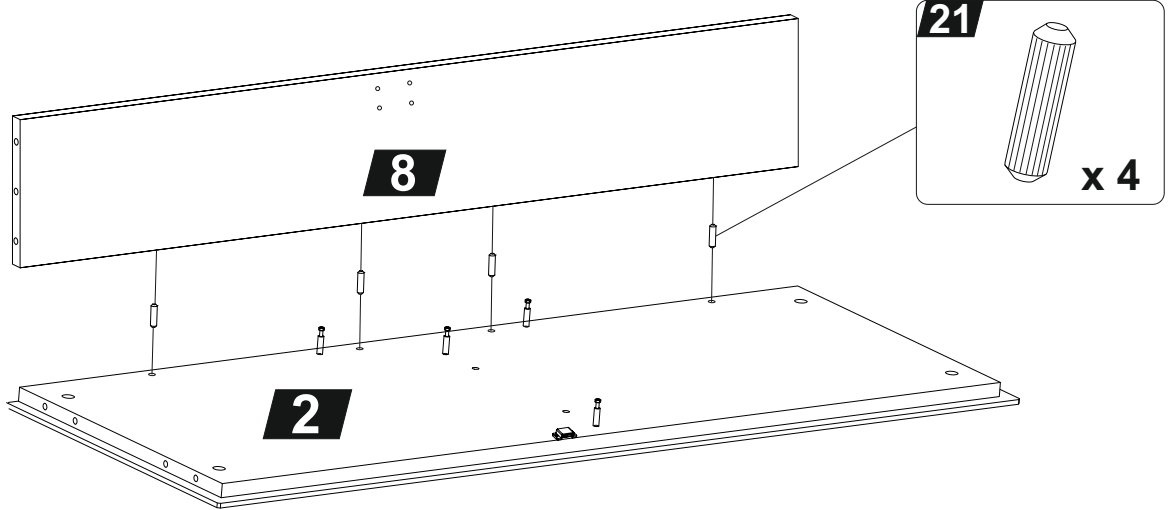
2



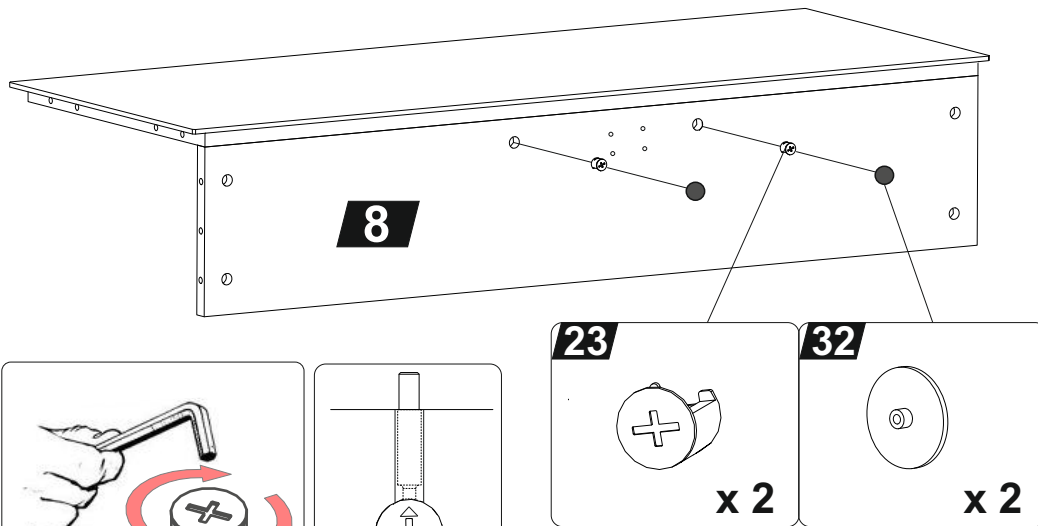
3



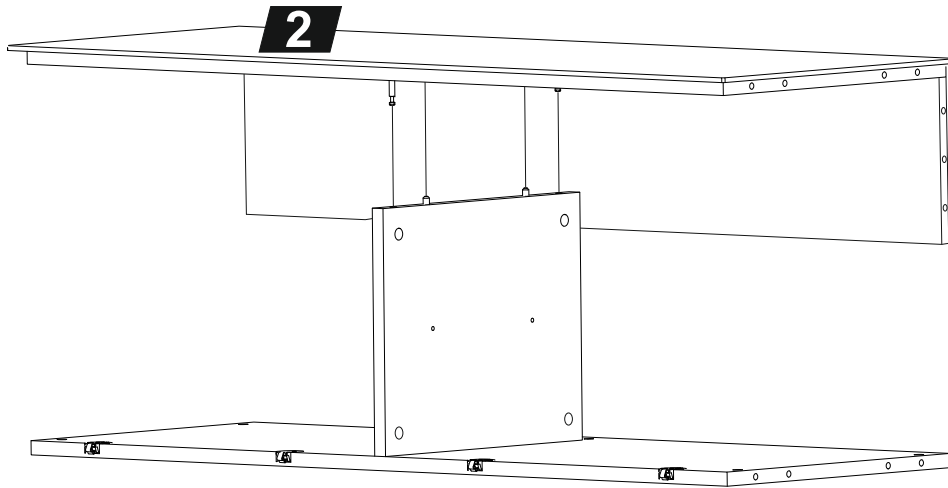
4



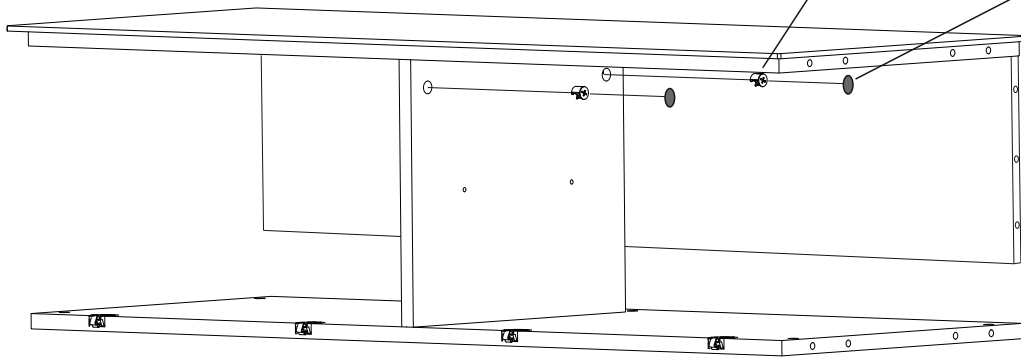
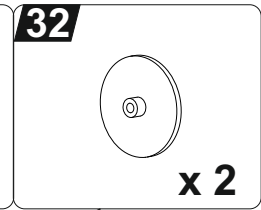
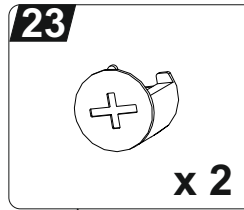
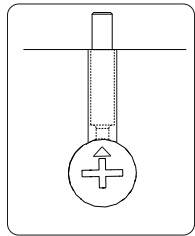
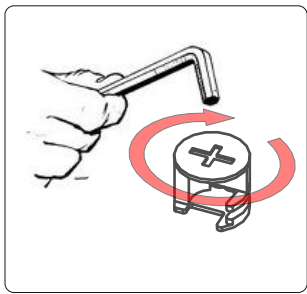
5



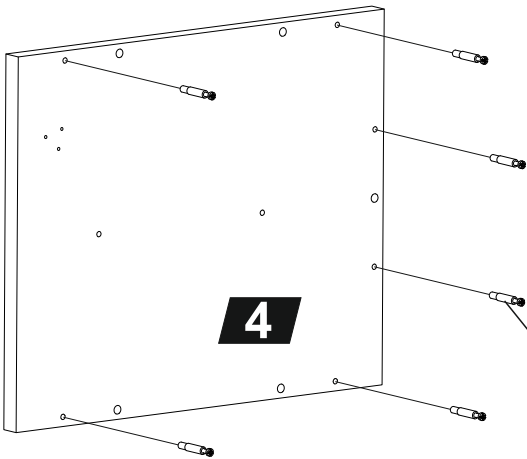
6



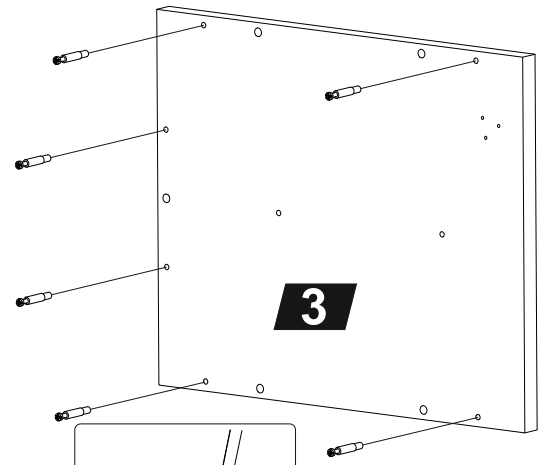
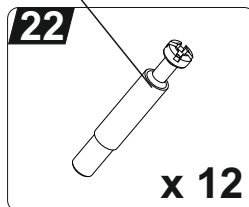
7



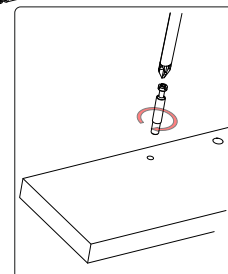
8



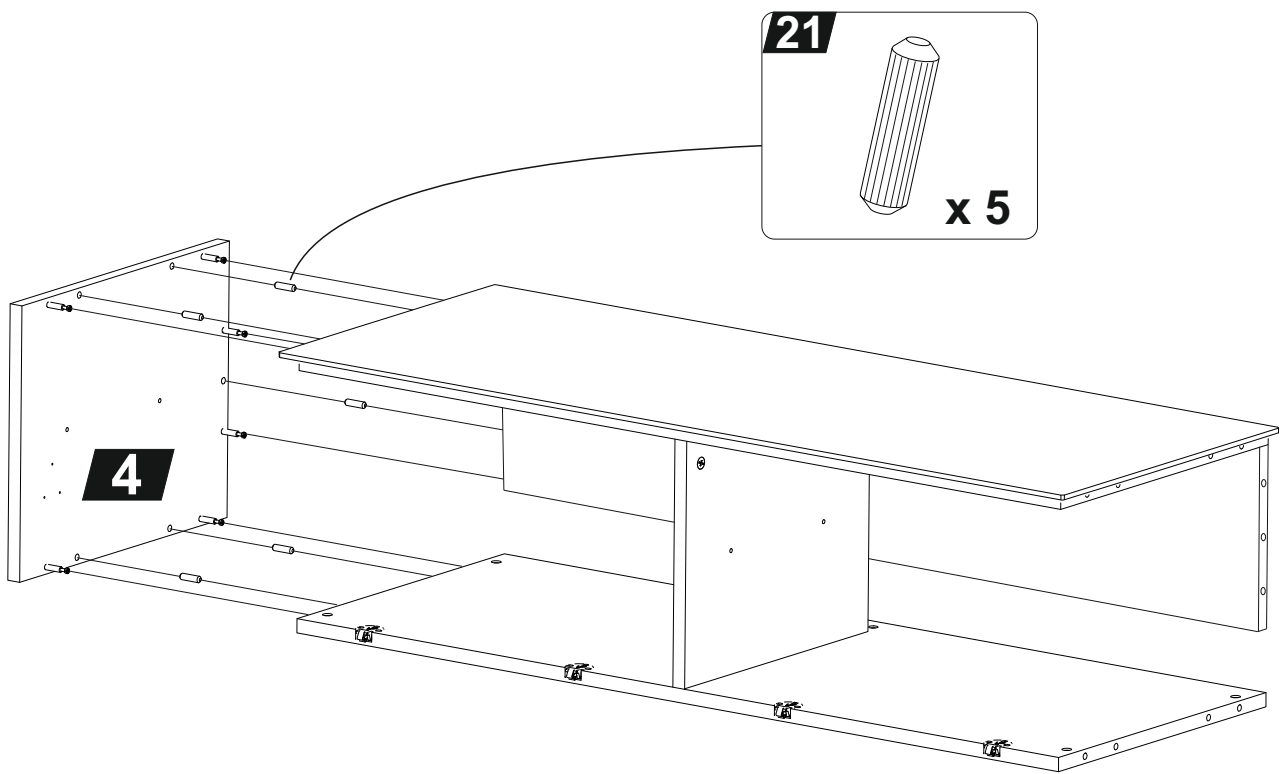
4



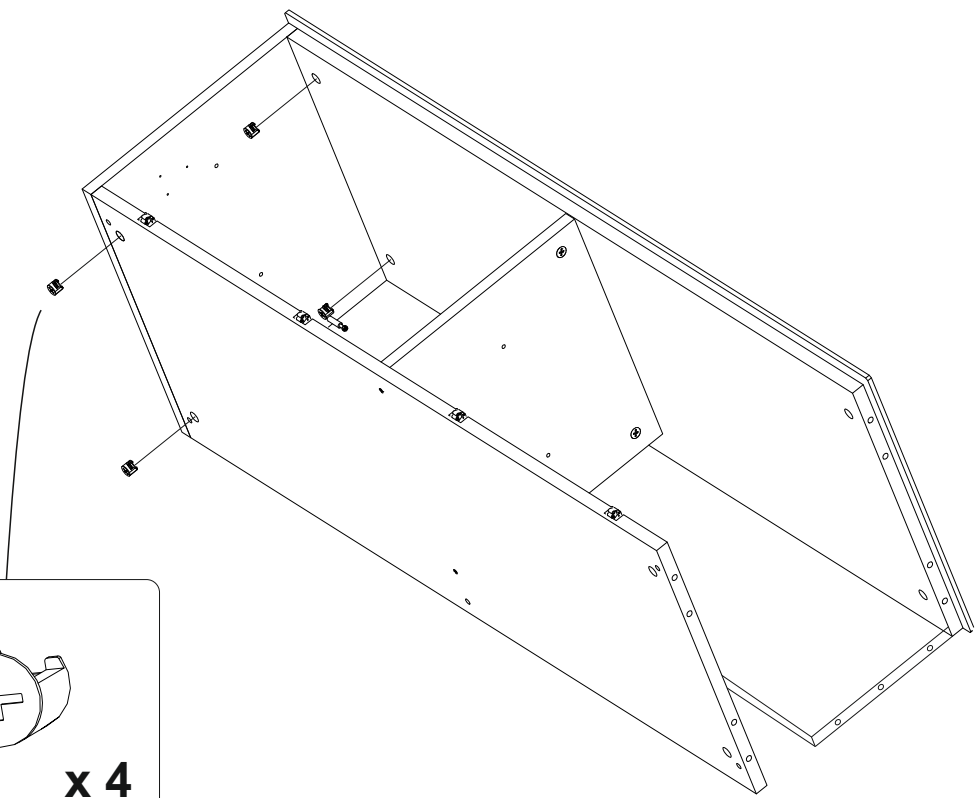
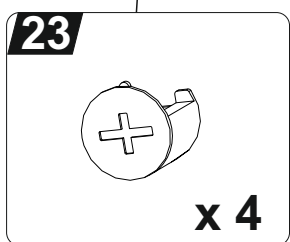
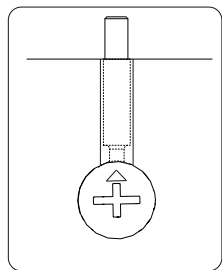
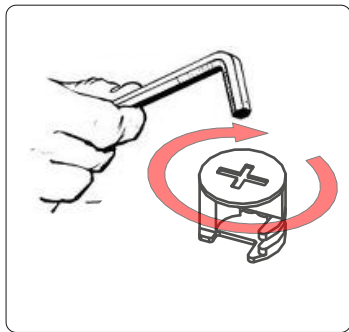
3



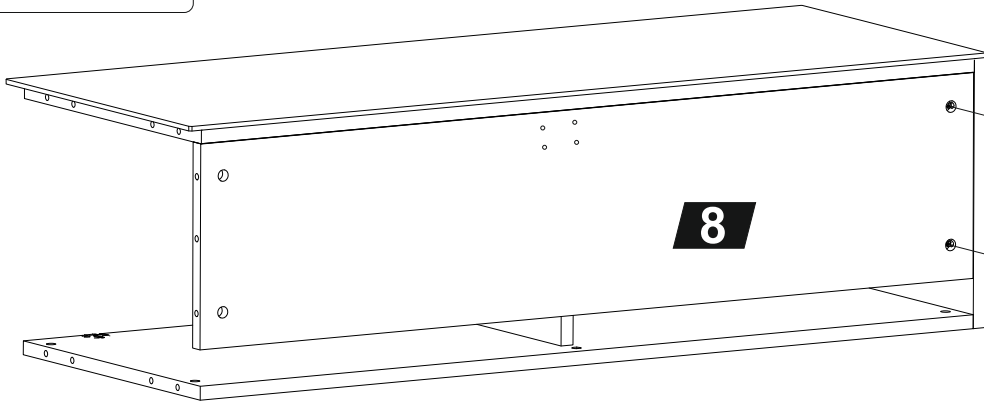
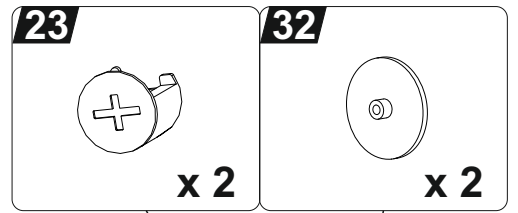
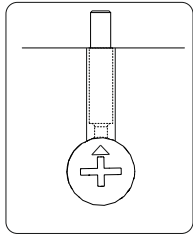
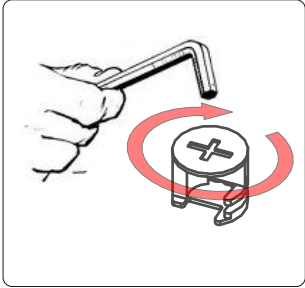
9



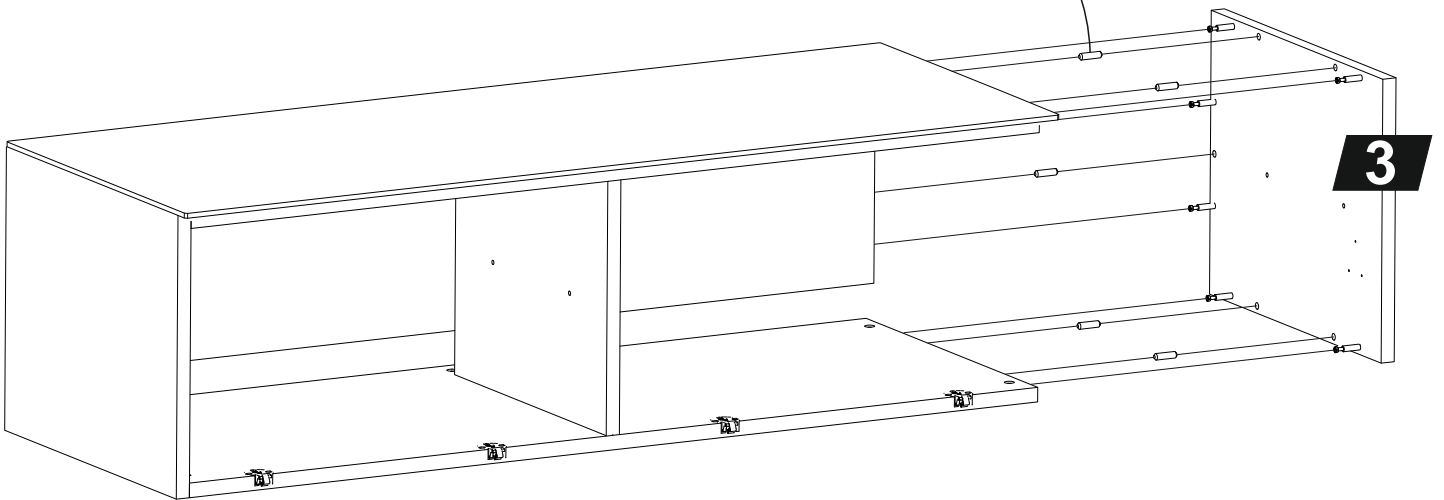
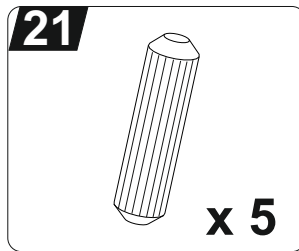
10



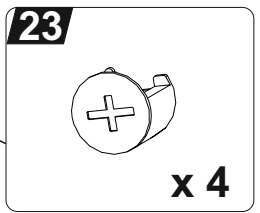
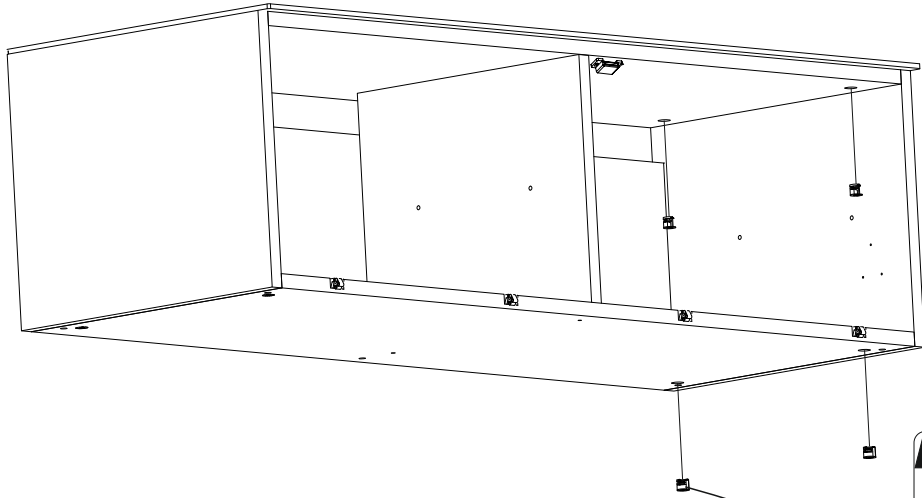
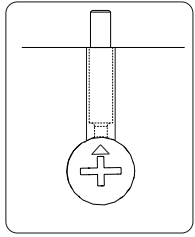
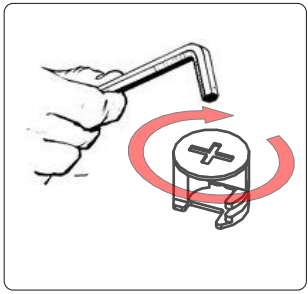
11



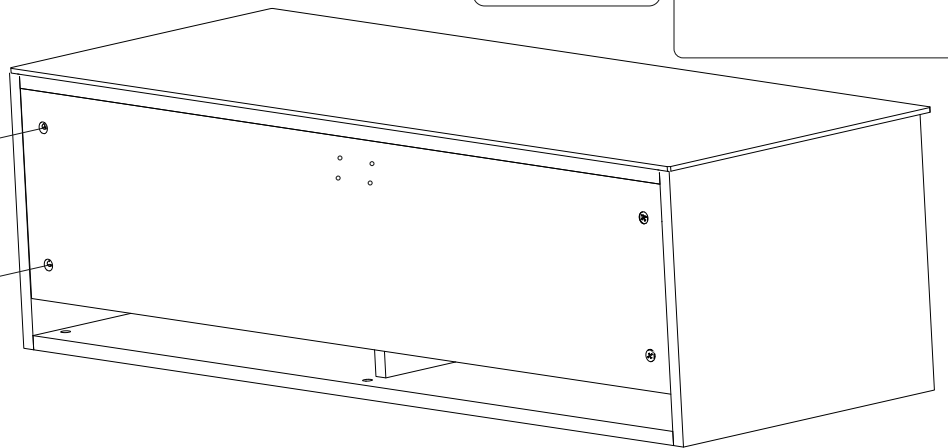
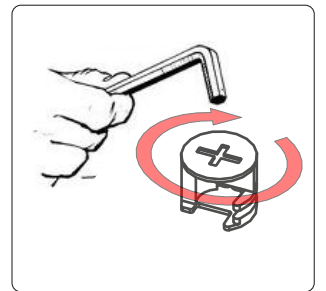
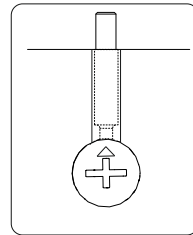
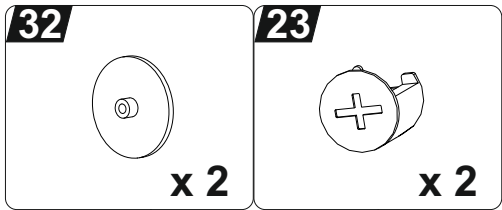
12



13



14

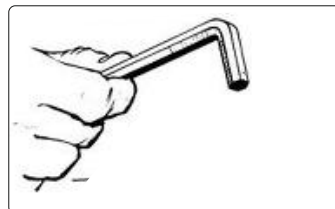


15

38



x 4

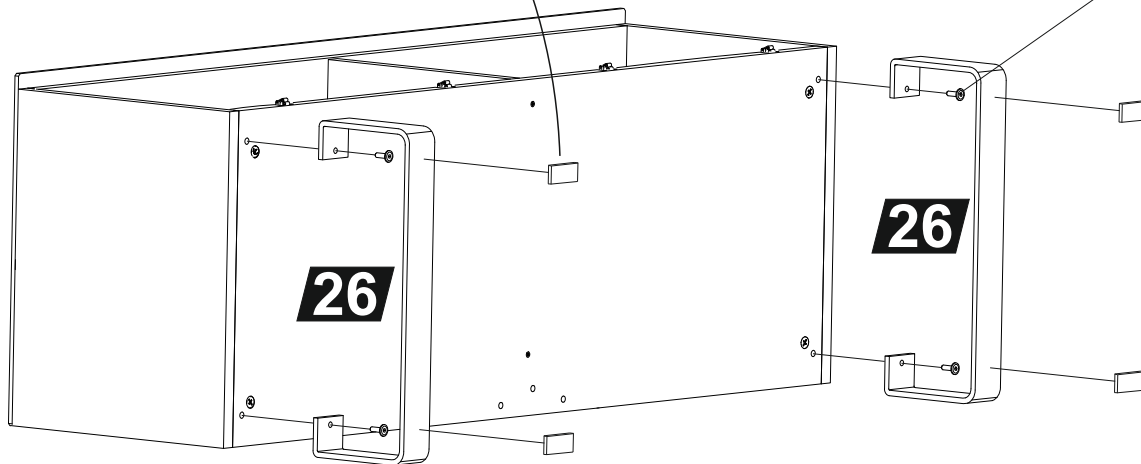


27



M6x15 ALLEN

x 4



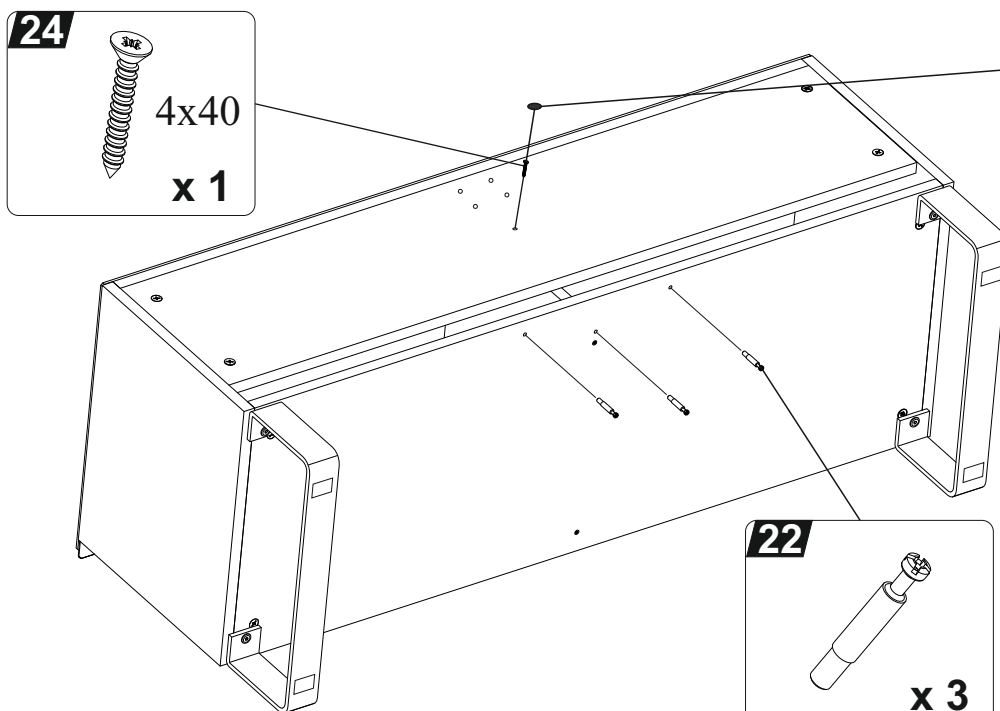
16

24



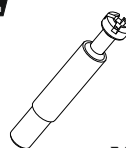
4x40

x 1

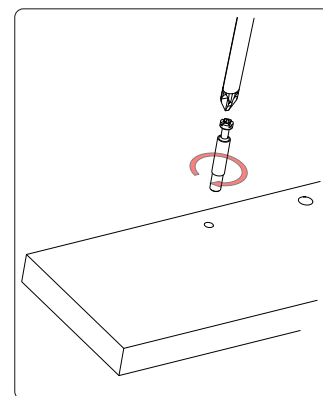


34 x1

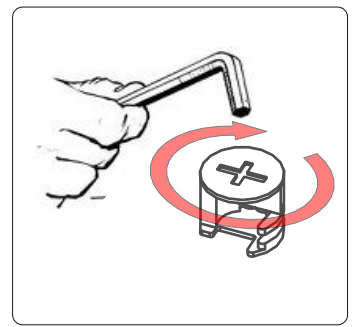
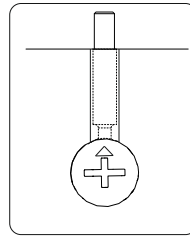
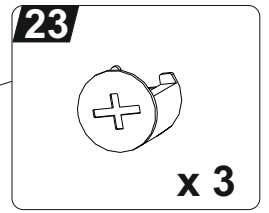
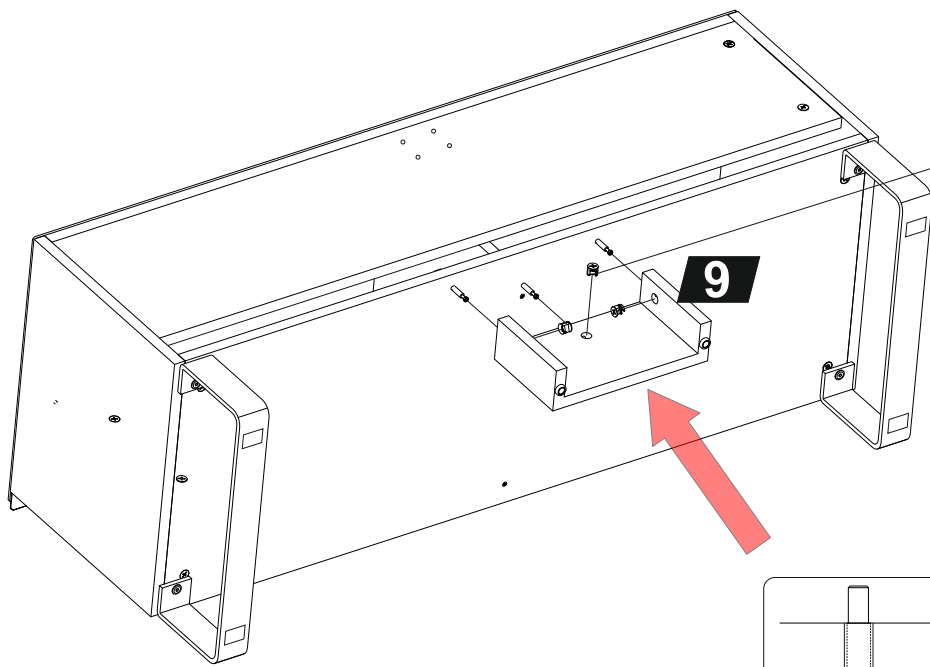
22



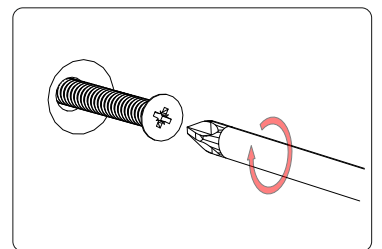
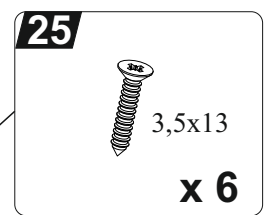
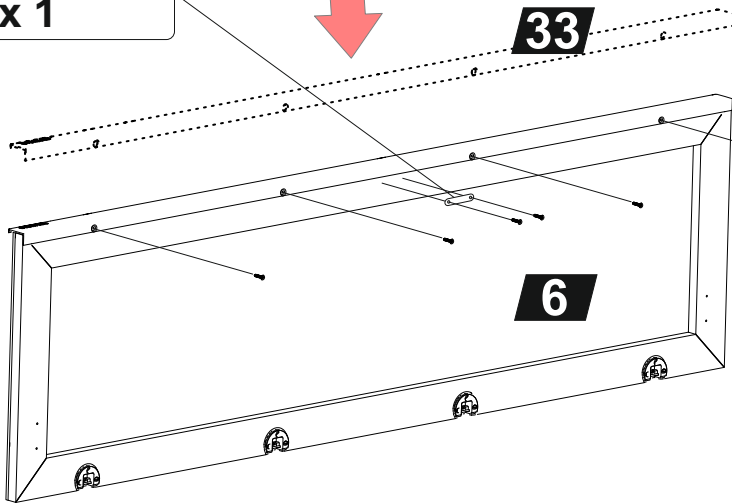
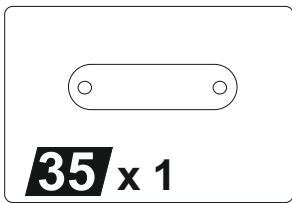
x 3



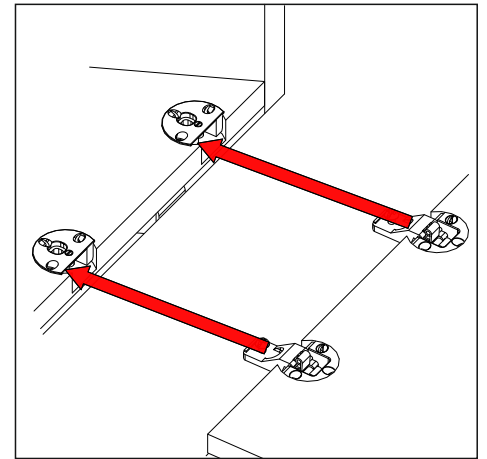
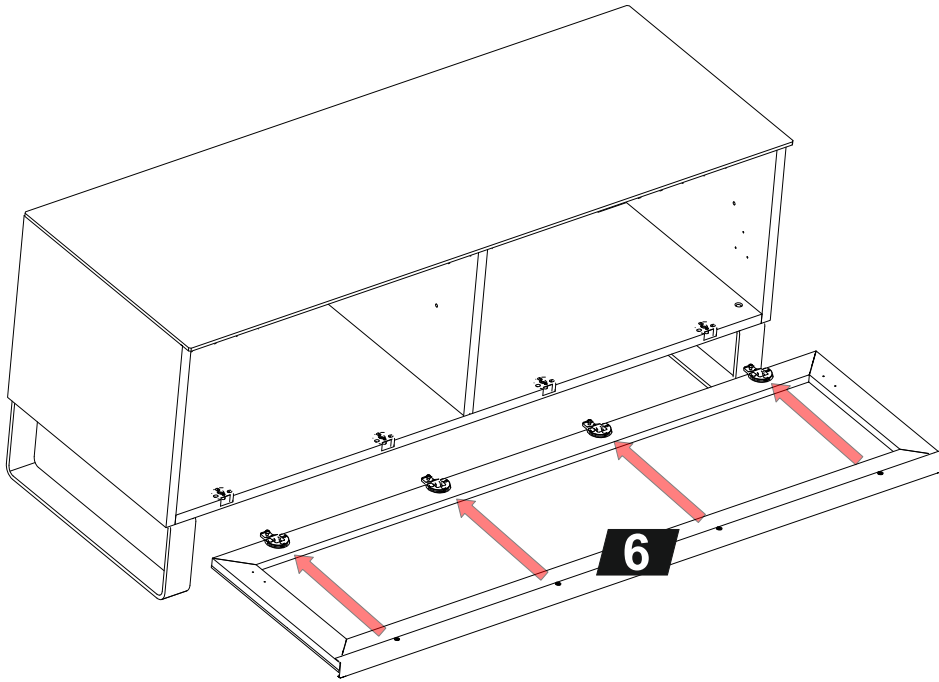
17



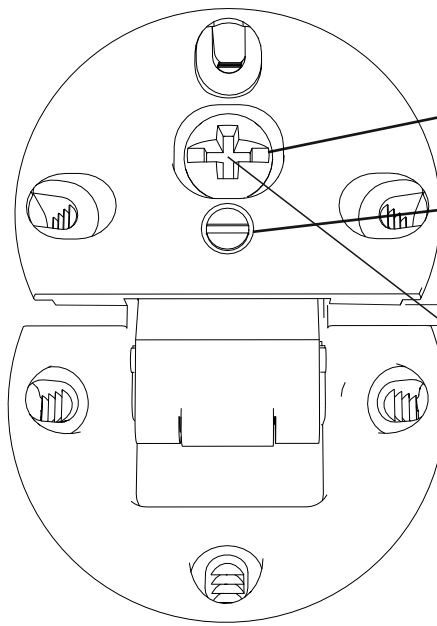
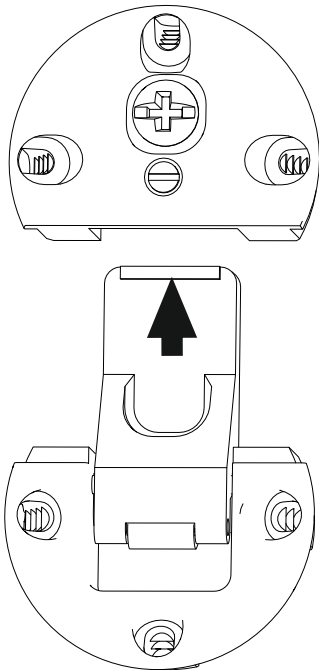
18



19



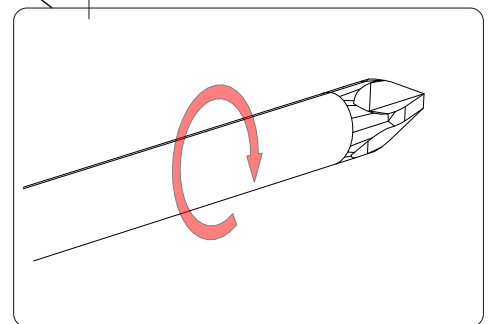
20



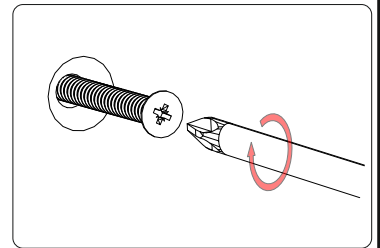
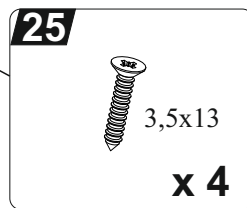
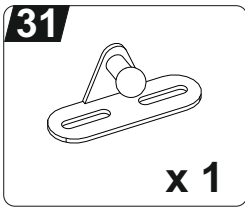
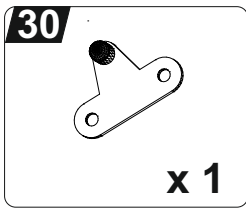
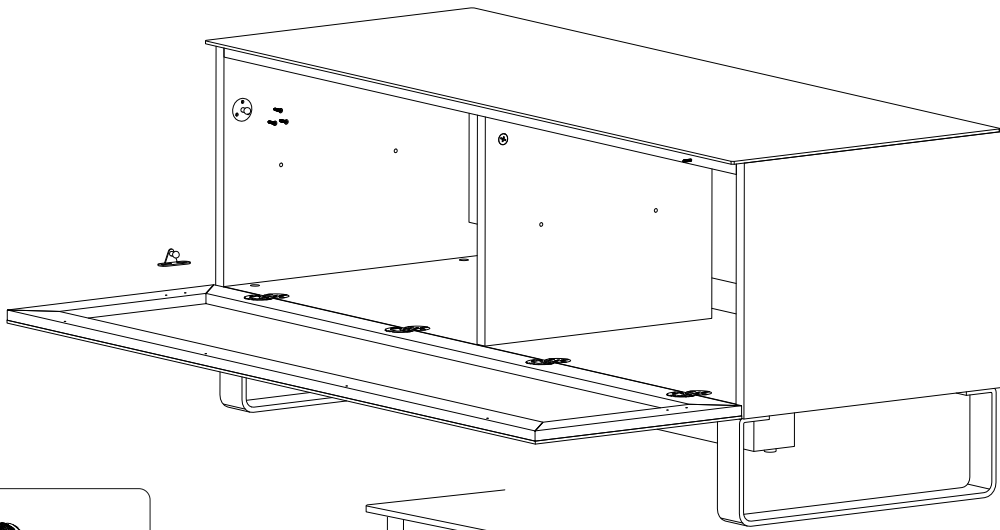
CONNECTION SCREW

ADJUSTMENT SCREW FOR THE FRONT DOOR.

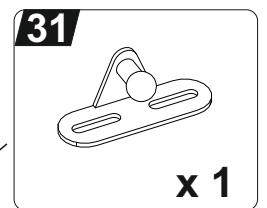
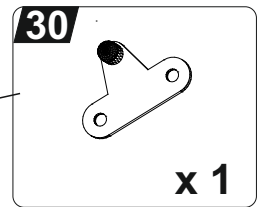
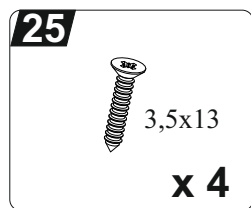
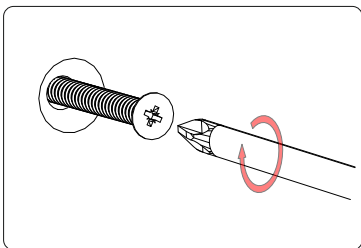
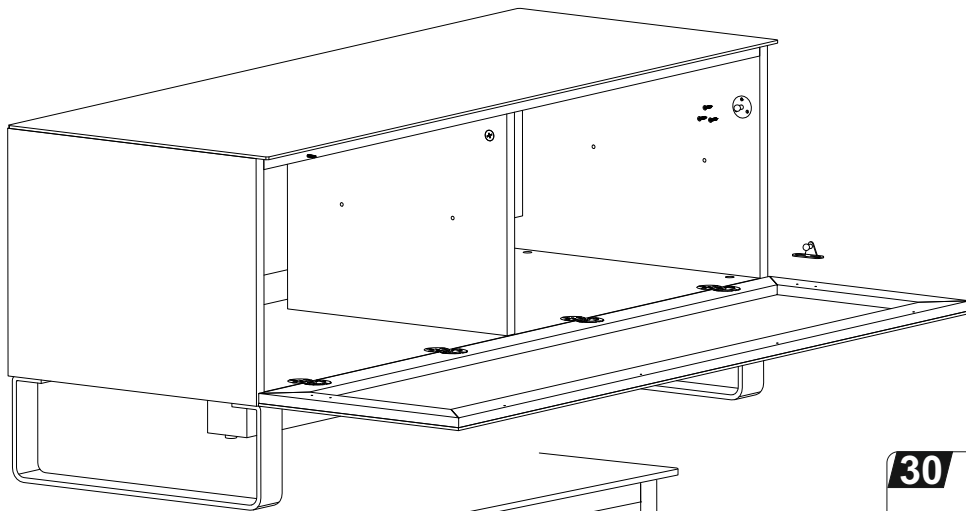
2mm



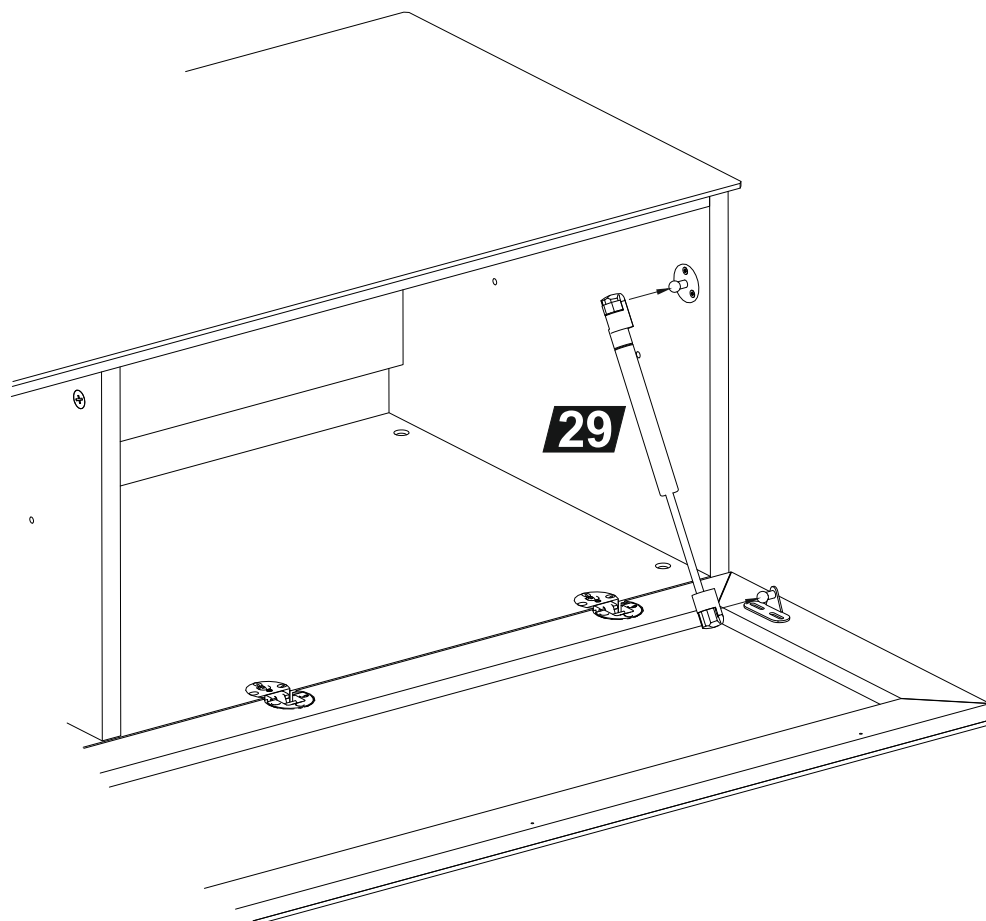
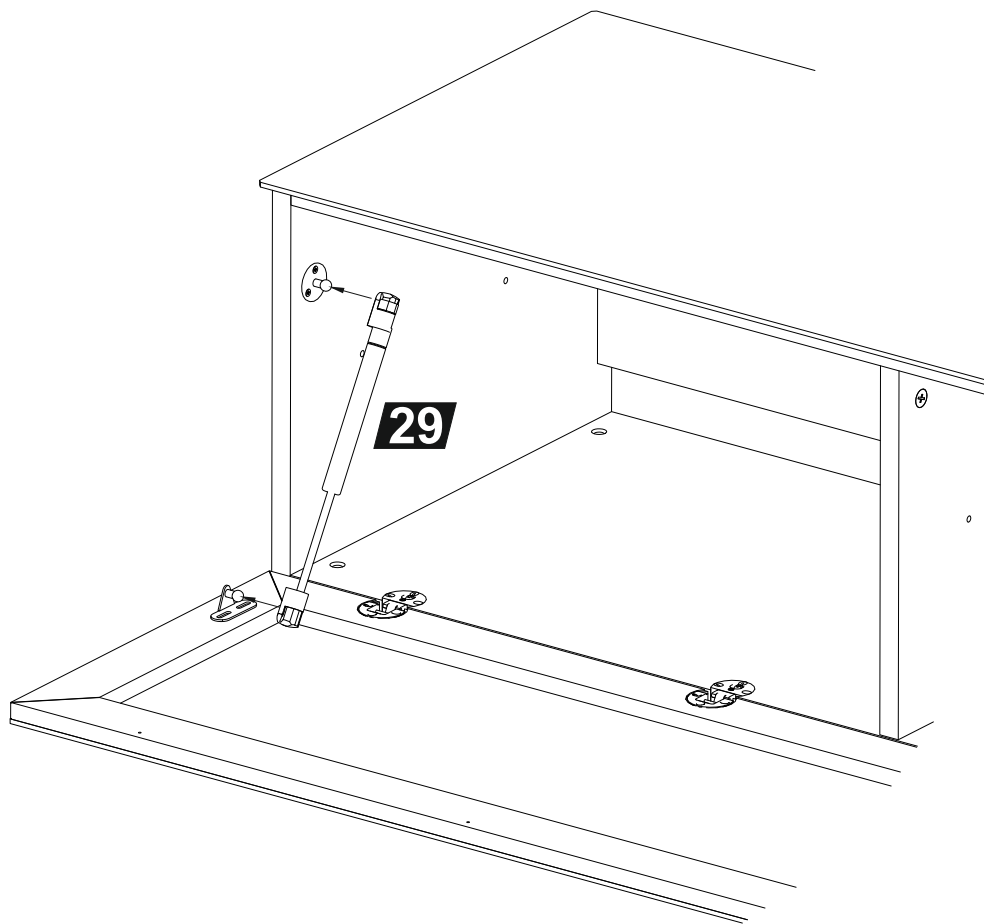
21

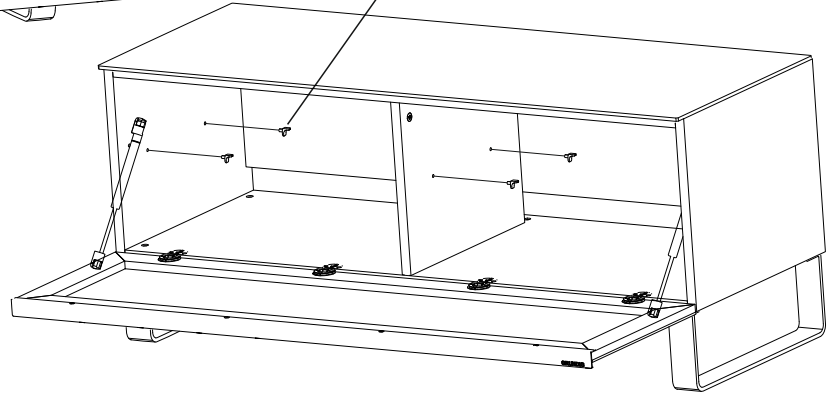
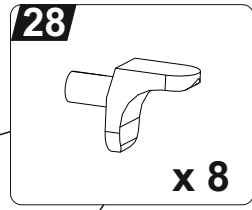
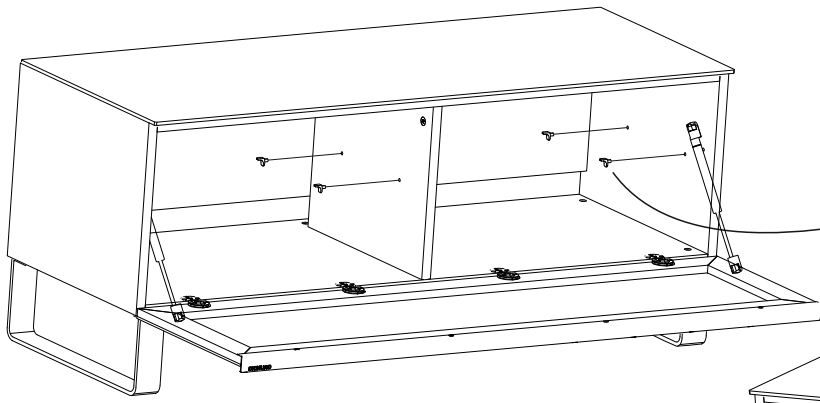


22

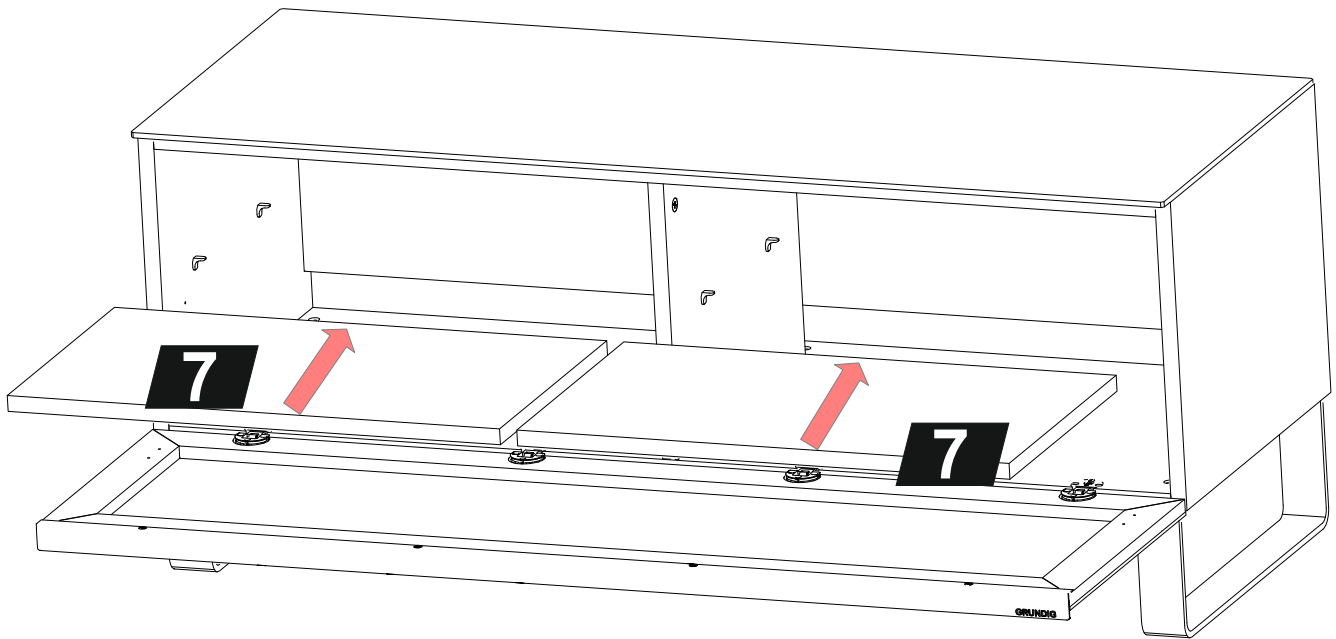


23





26



27