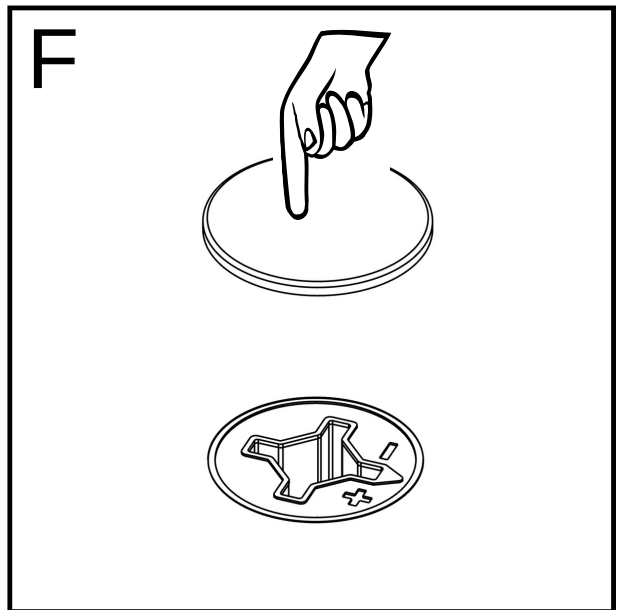
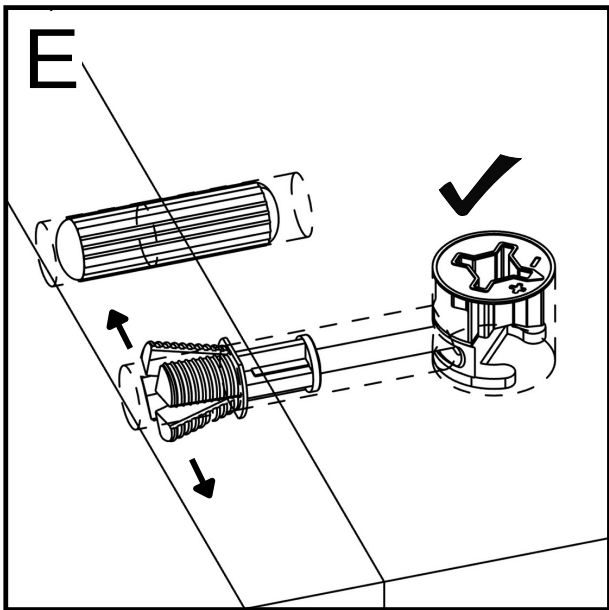
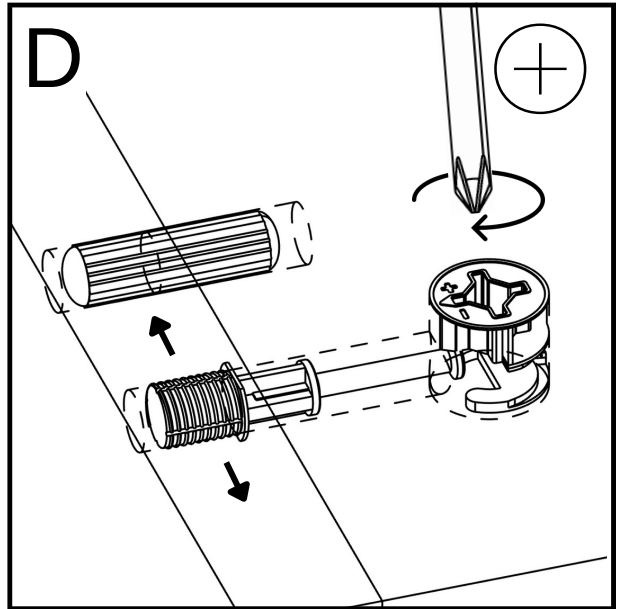
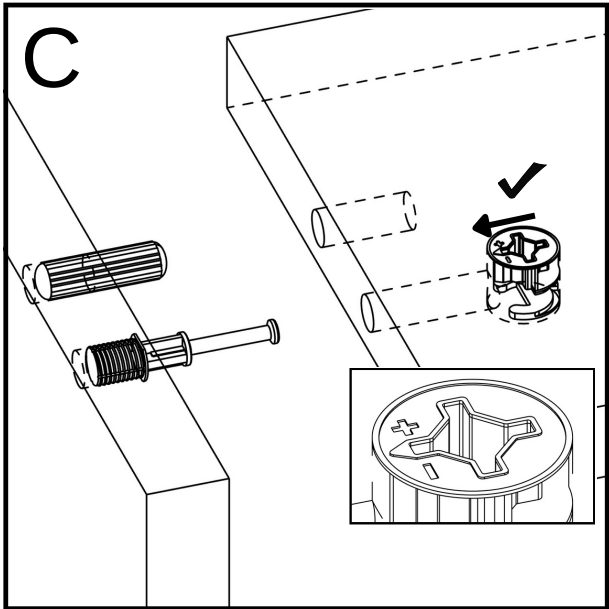
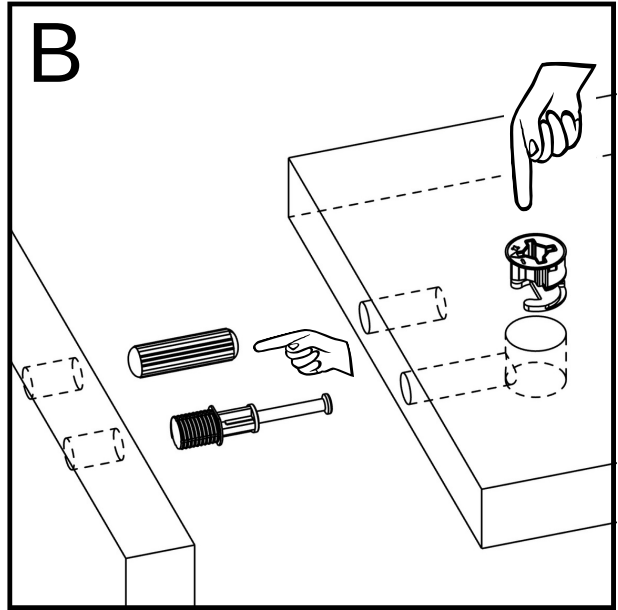
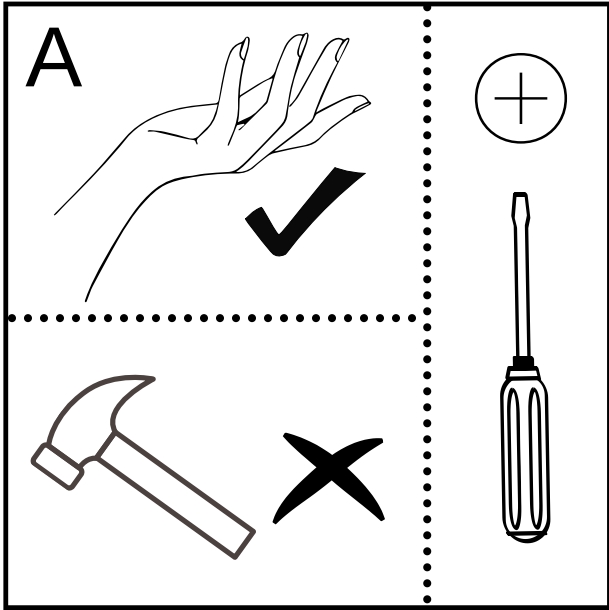
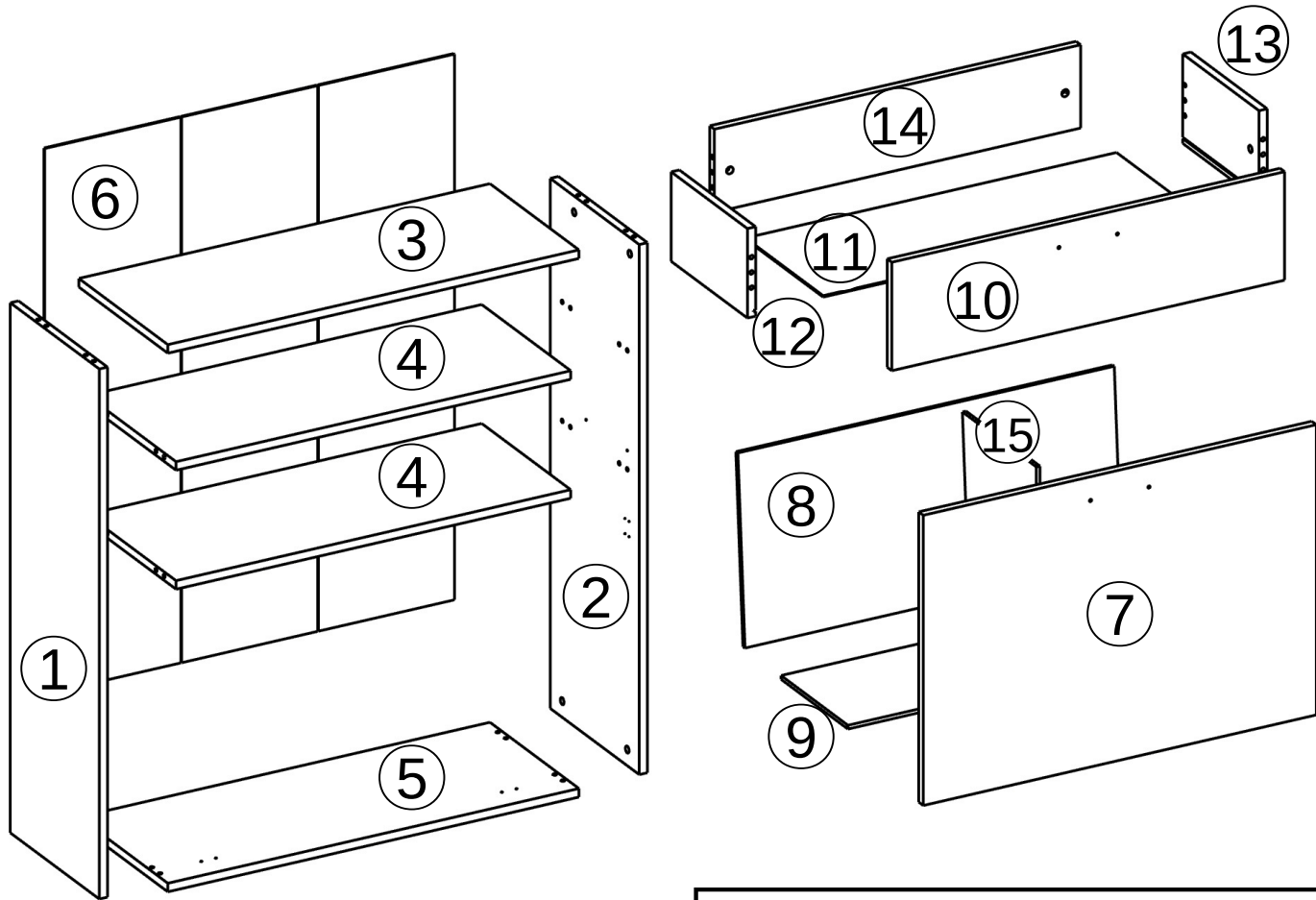


..... RIM-90 .....

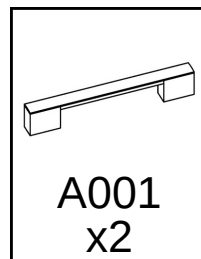
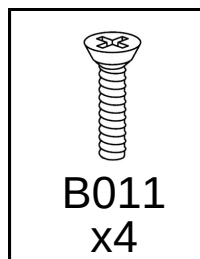
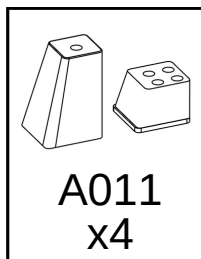
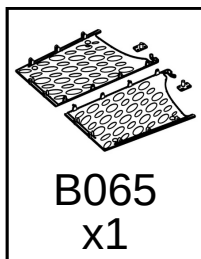
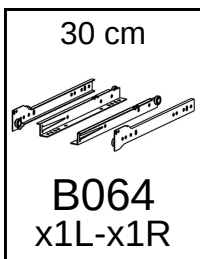
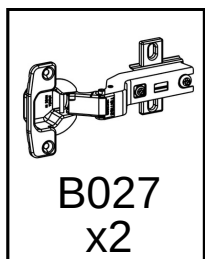
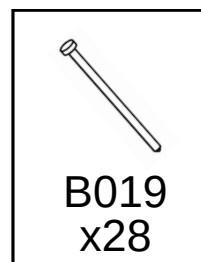
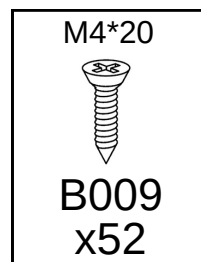
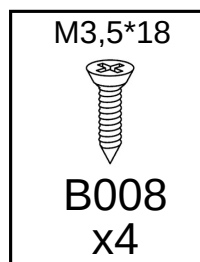
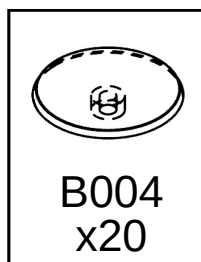
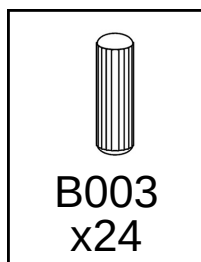
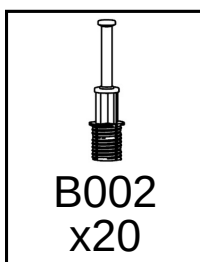
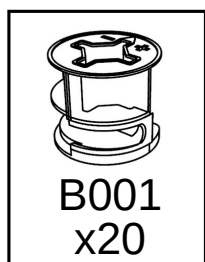




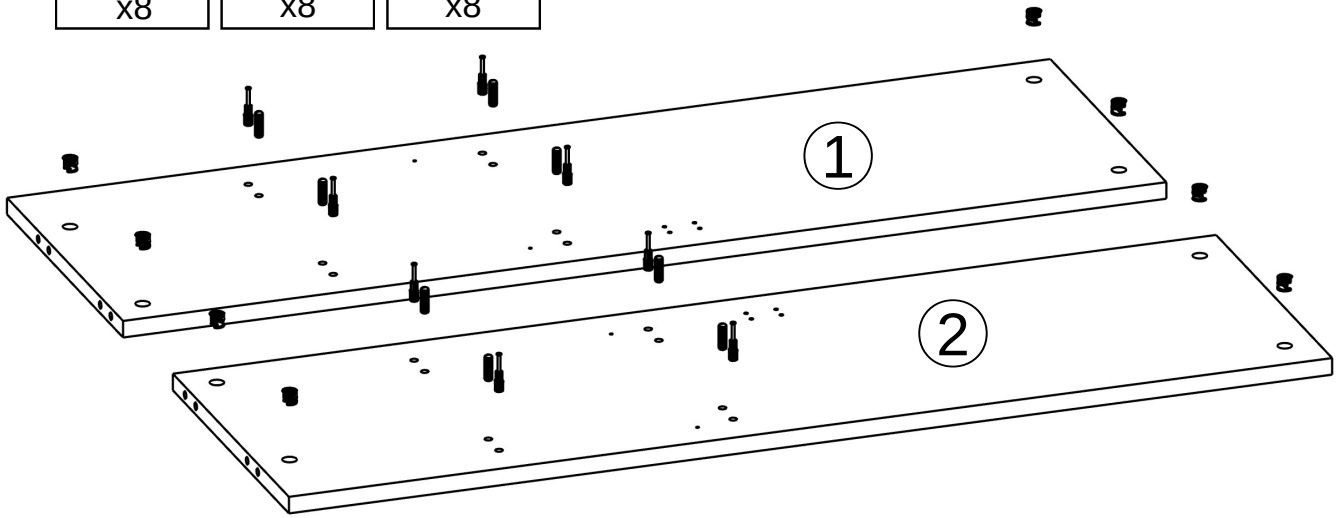
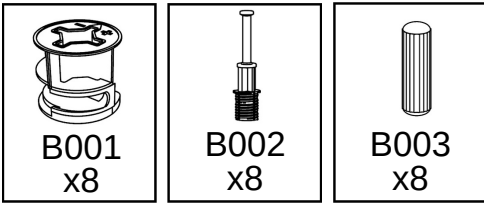
no - mm

1	- 1114 * 350 * 18	x1
2	- 1114 * 350 * 18	x1
3	- 900 * 350 * 18	x1
4	- 864 * 350 * 18	x2
5	- 900 * 350 * 18	x1
6	- 1146 * 297 * 3	x3
7	- 858 * 608 * 18	x1

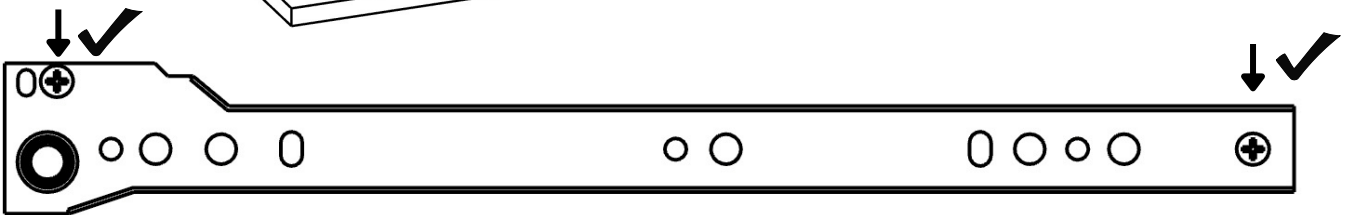
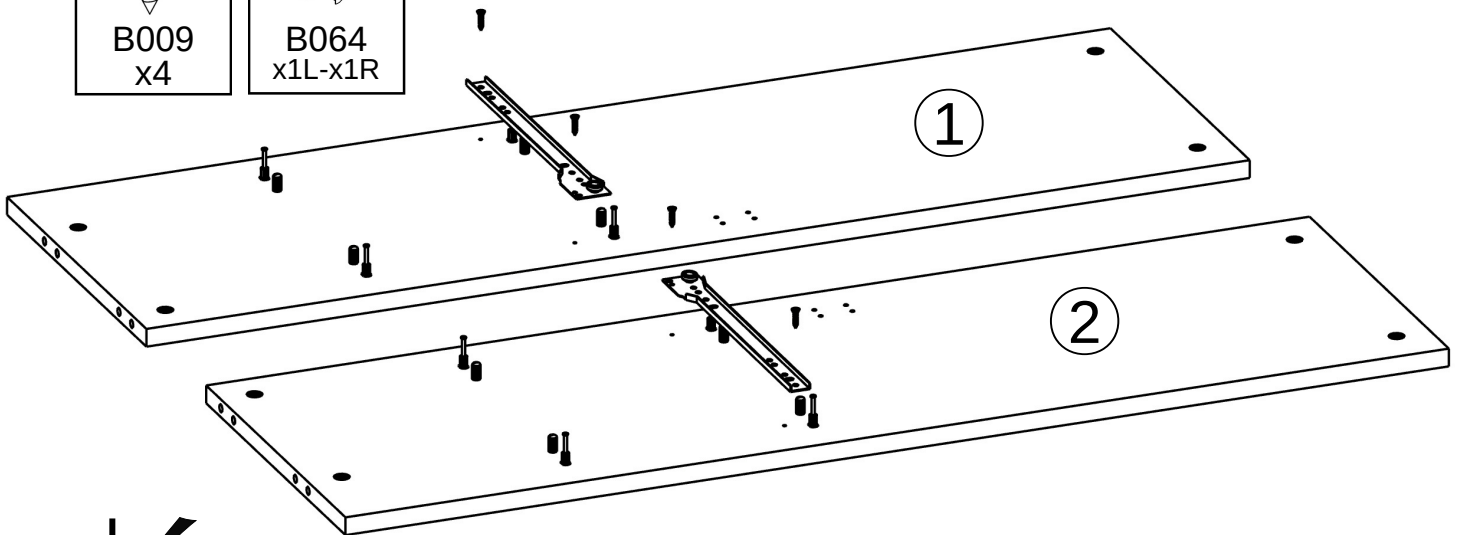
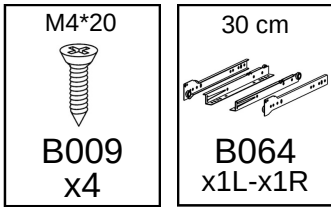
8	- 824 * 400 * 8	x1
9	- 824 * 263 * 8	x1
10	- 858 * 226 * 18	x1
11	- 816 * 304 * 3	x1
12	- 300 * 188 * 18	x1
13	- 300 * 188 * 18	x1
14	- 802 * 168 * 18	x1
15	- 290 * 400 * 8	x1



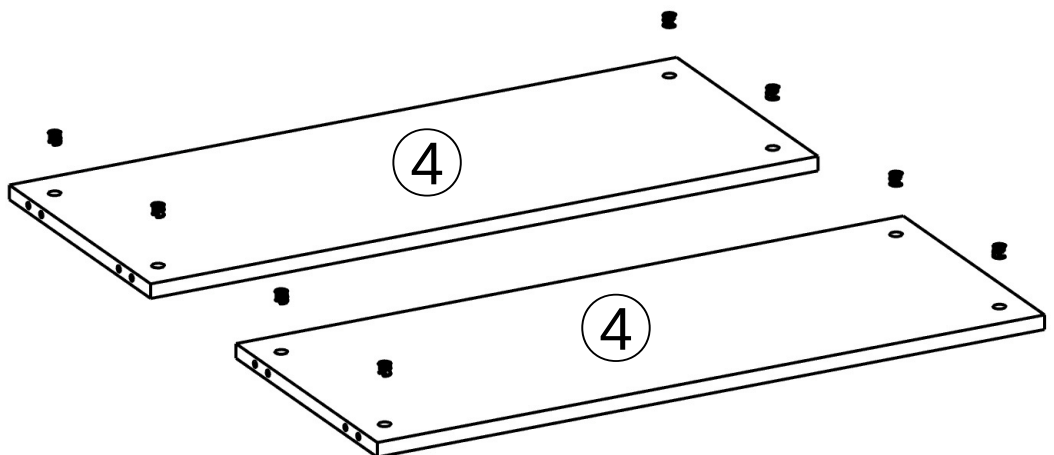
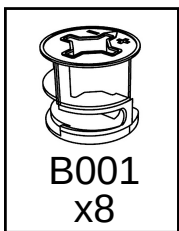
1



2

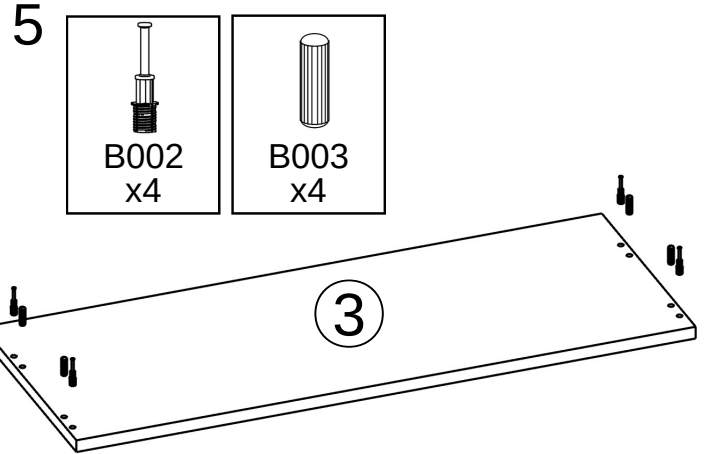
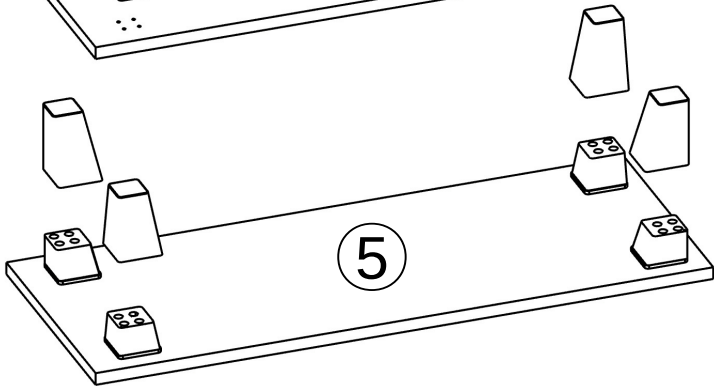
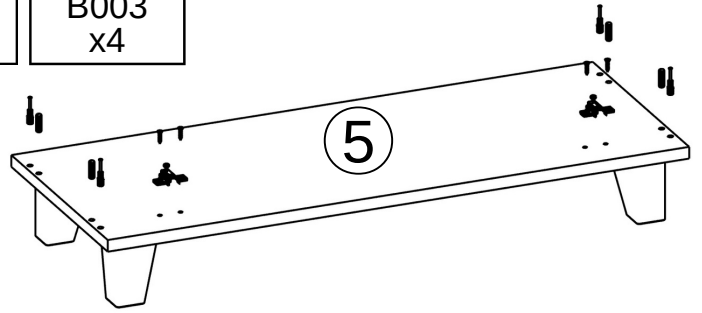
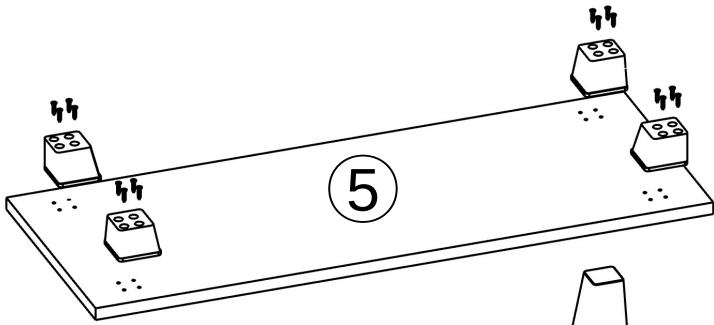
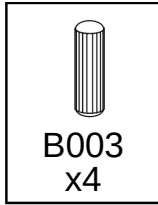
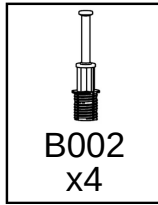
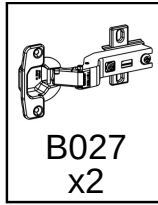
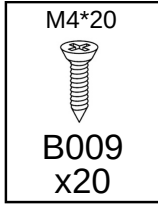
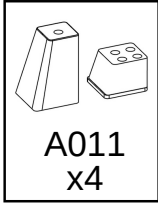


3

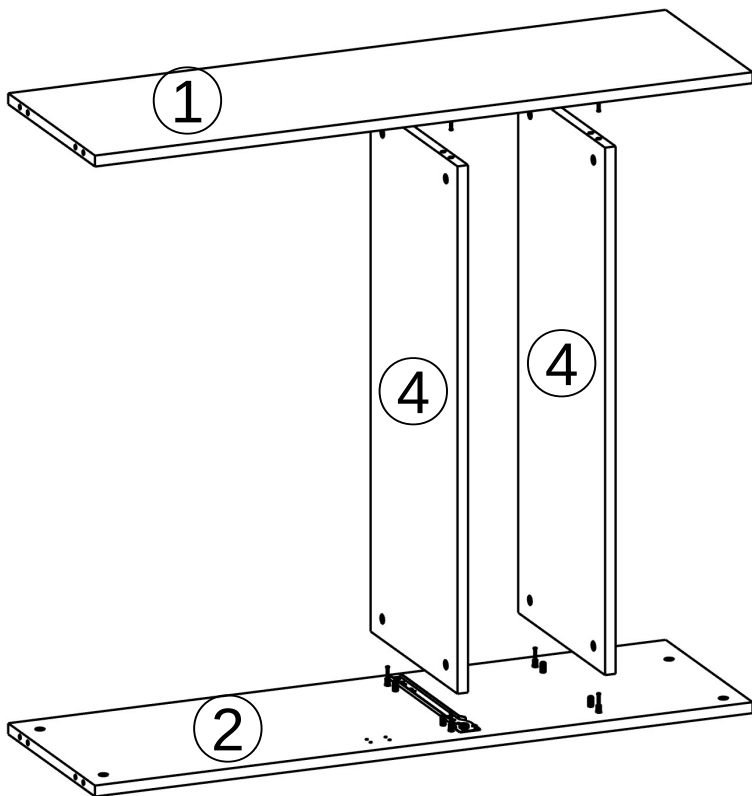


4

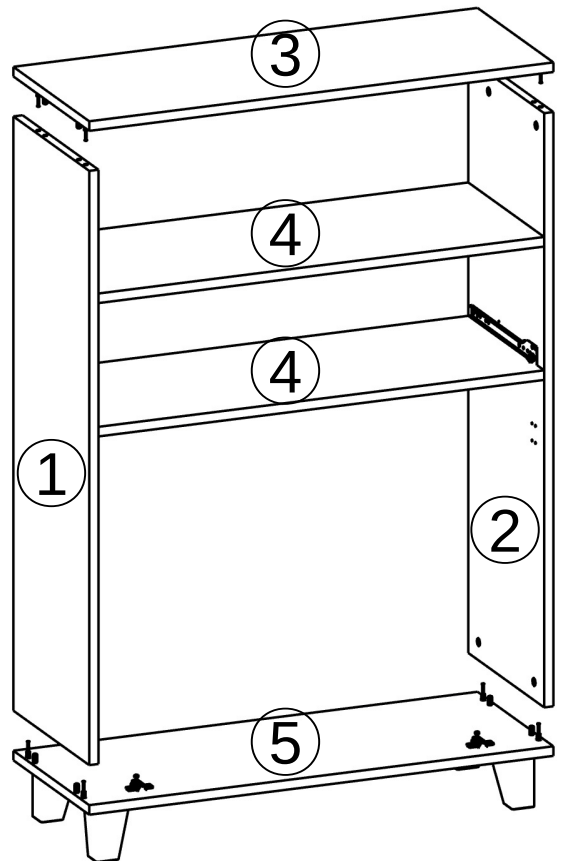
4



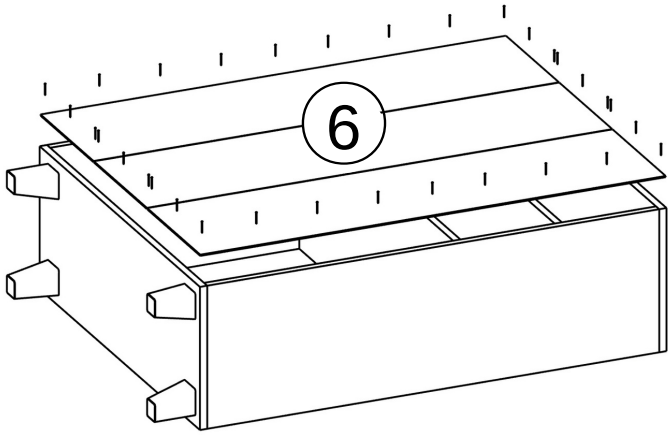
6



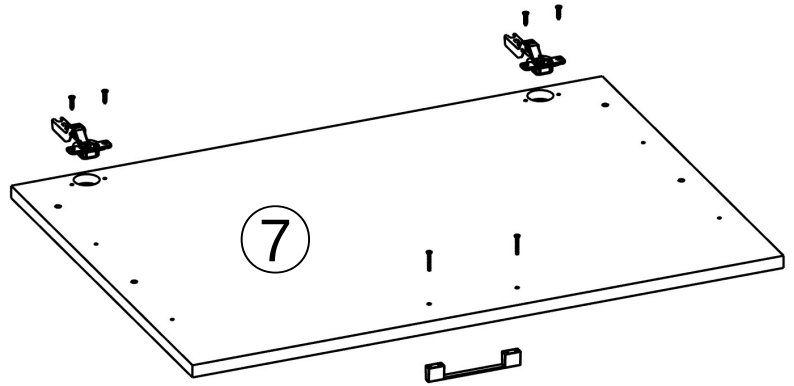
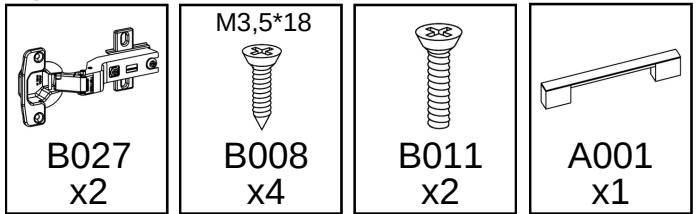
7



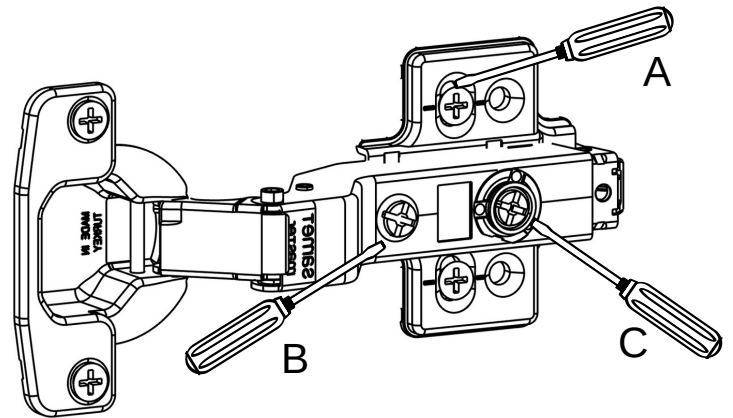
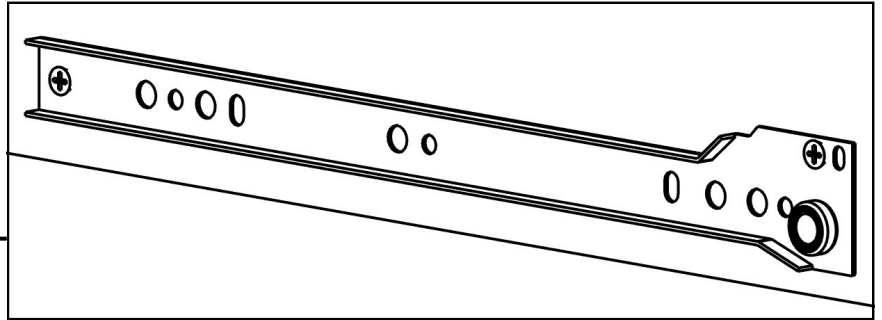
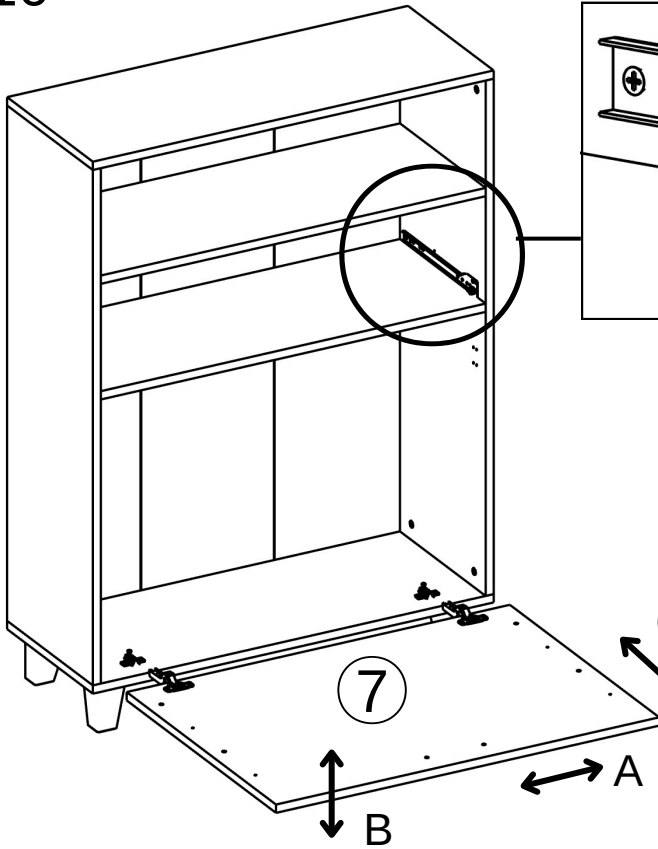
8



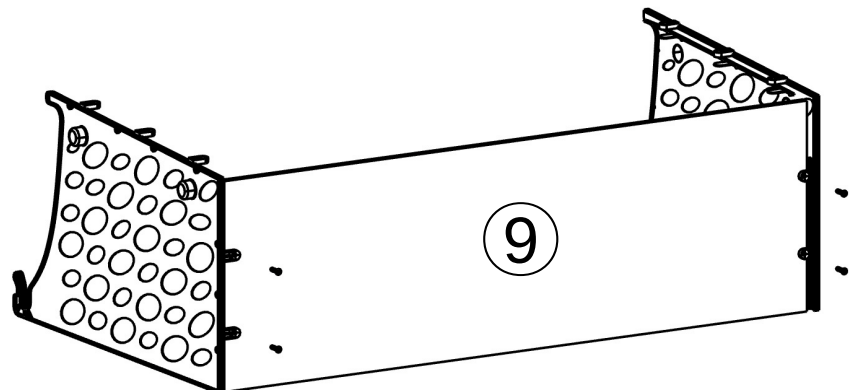
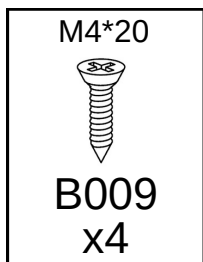
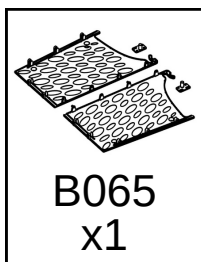
9



10

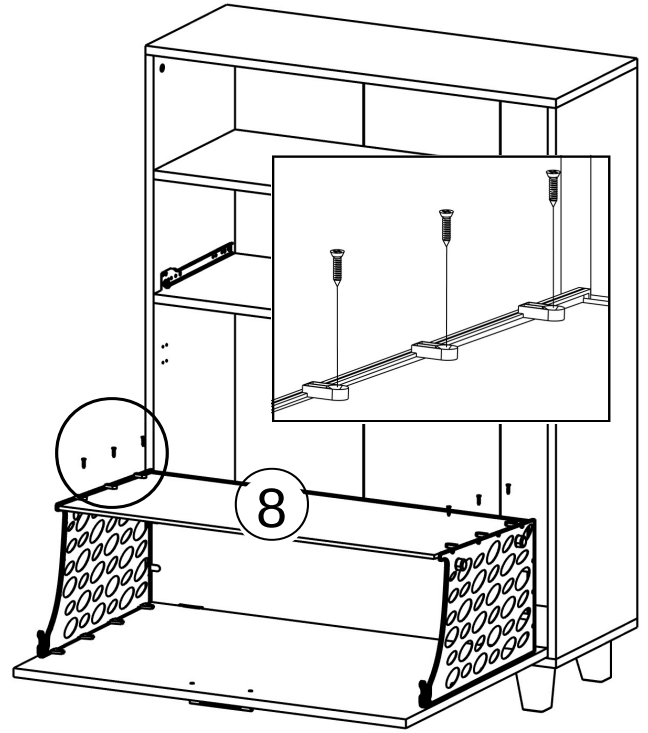
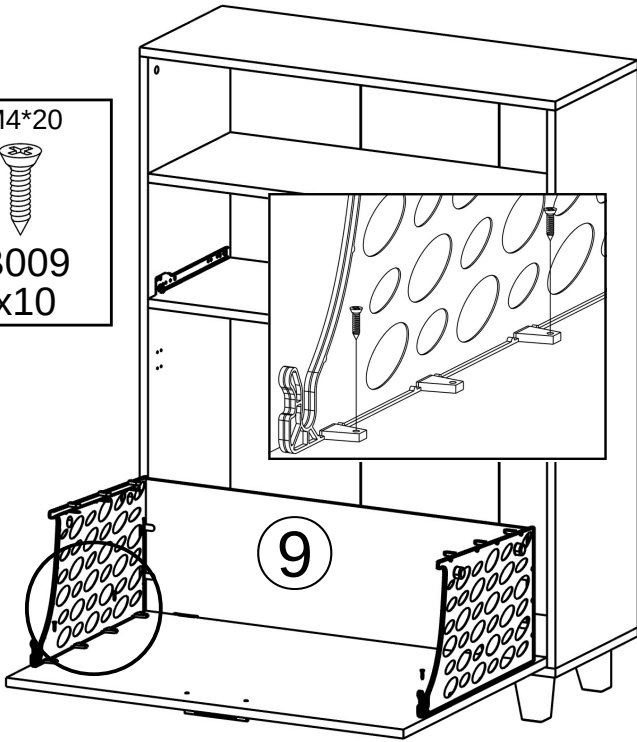
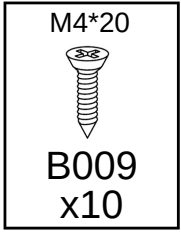


11

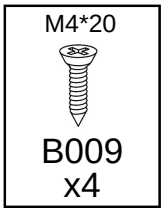
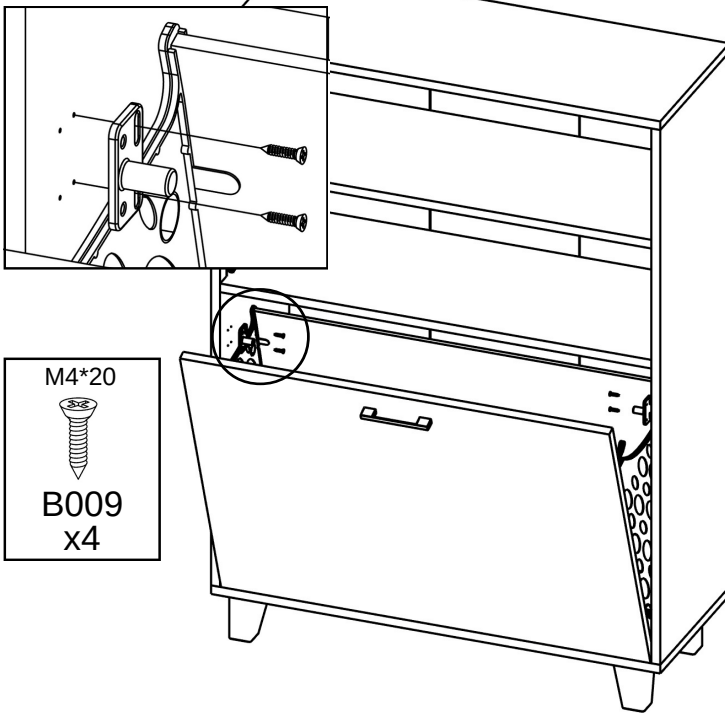


6

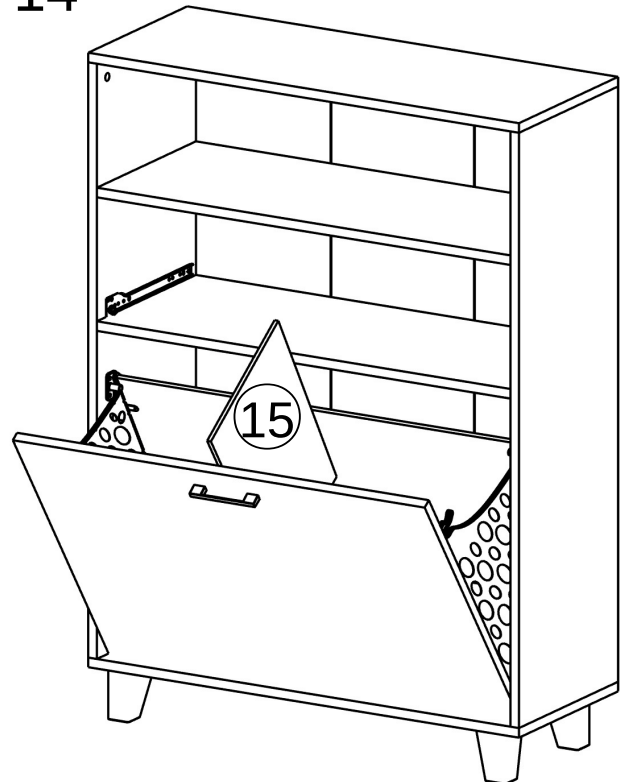
12



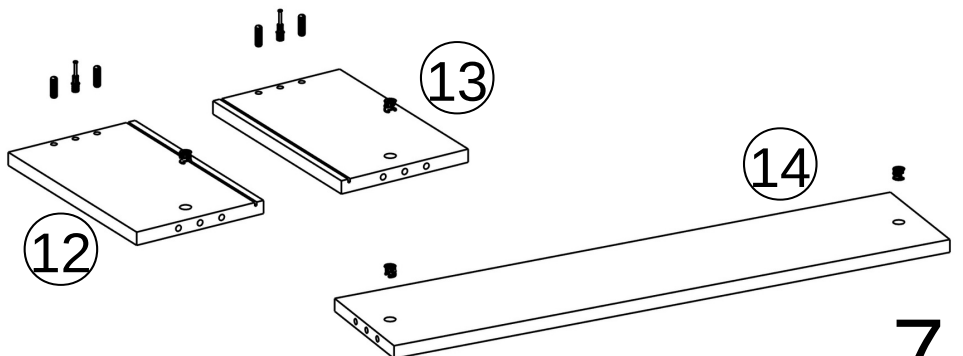
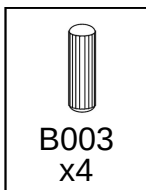
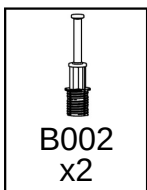
13



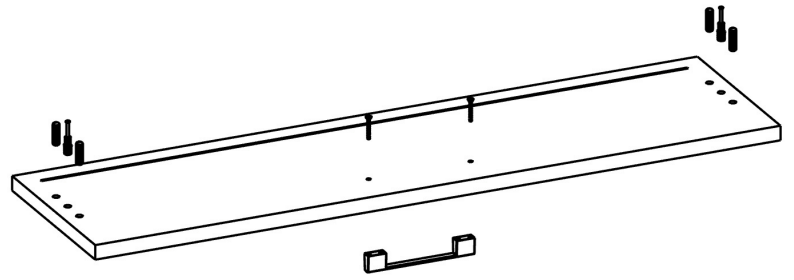
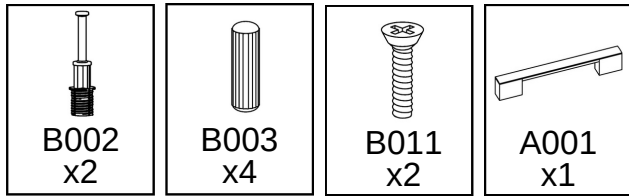
14



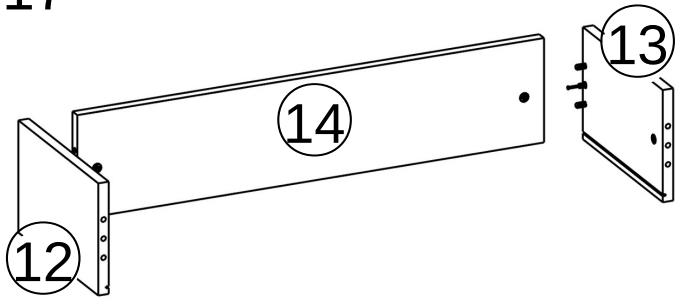
15



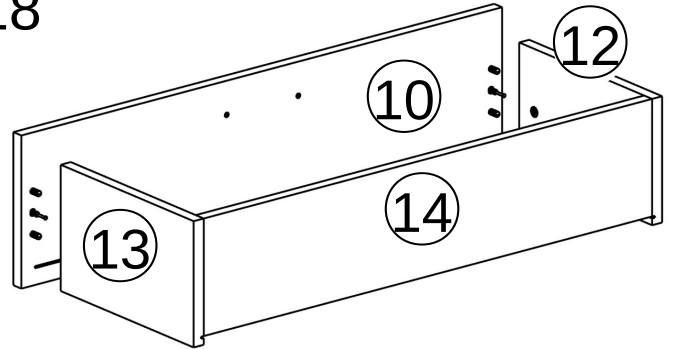
16



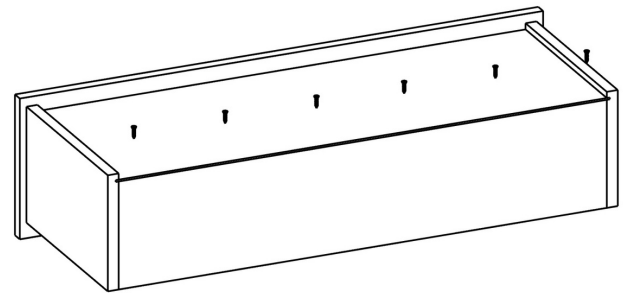
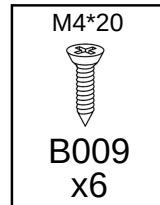
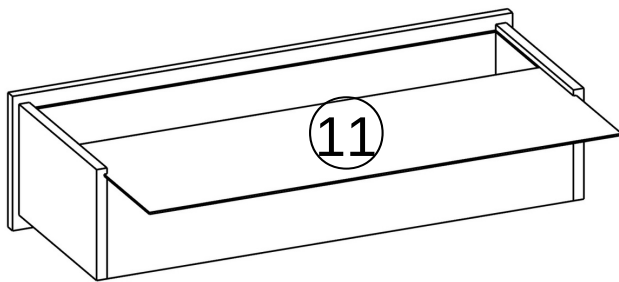
17



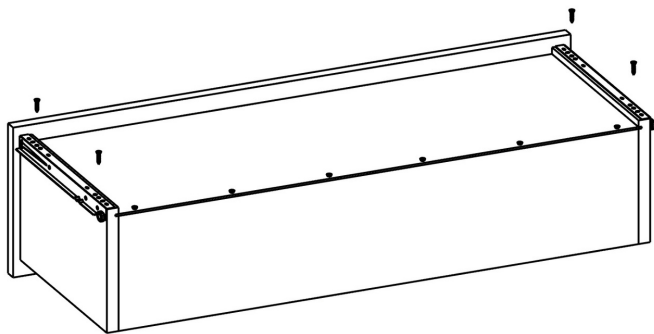
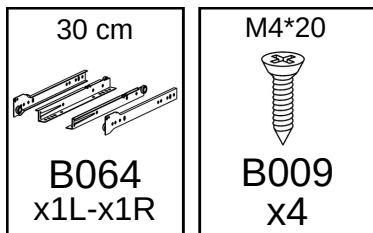
18



19



20



21

