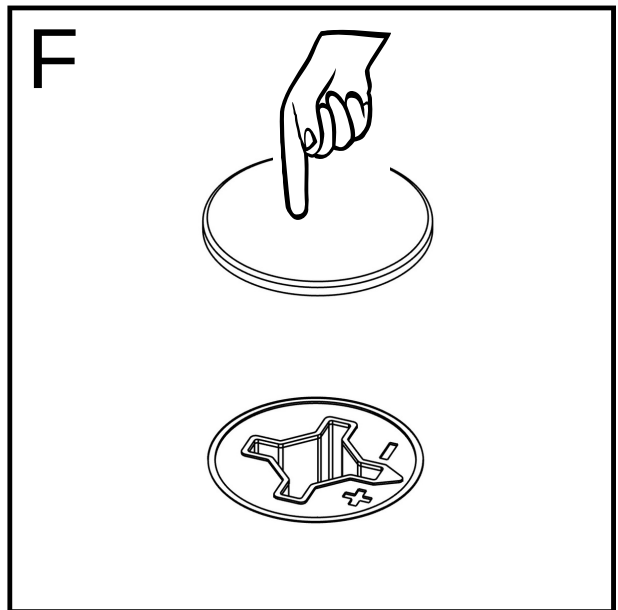
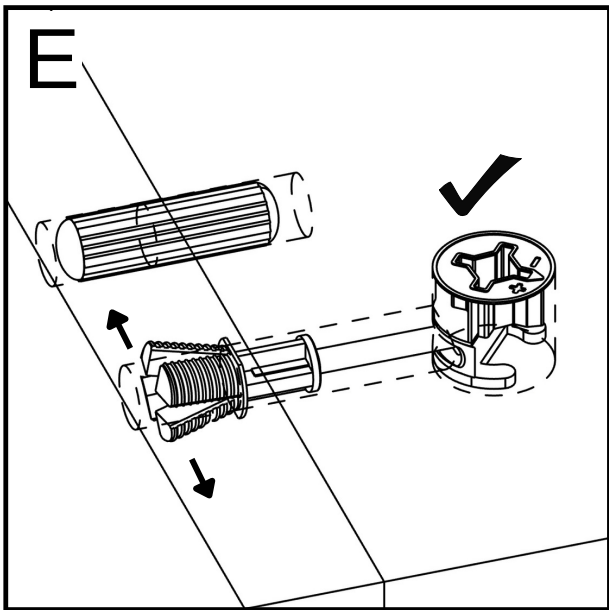
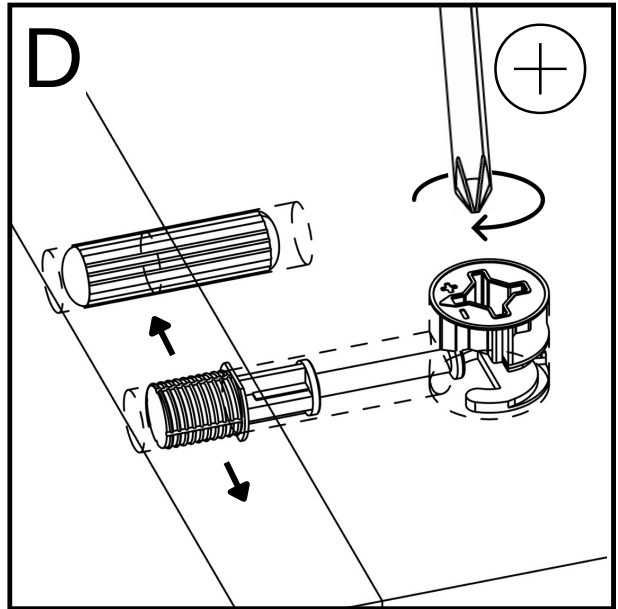
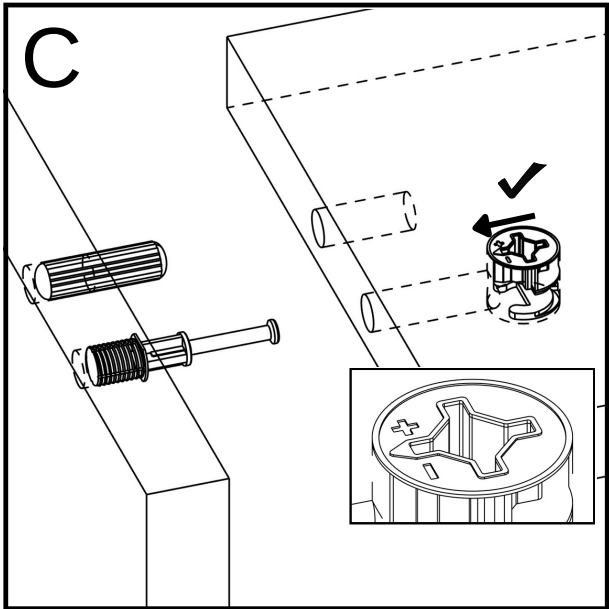
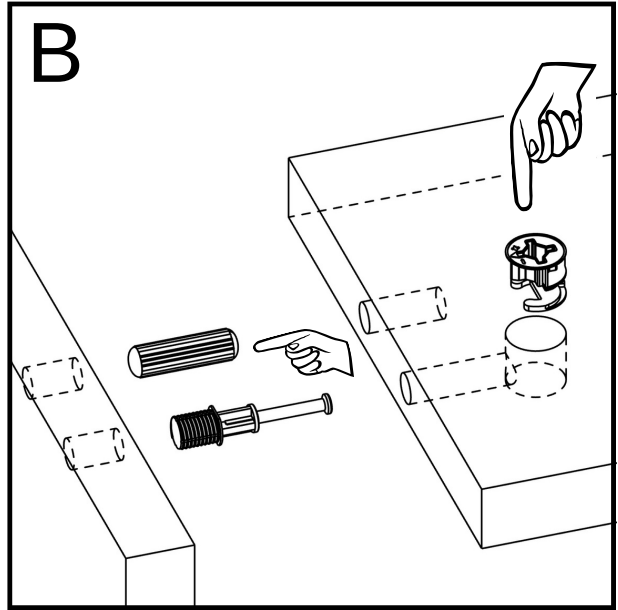
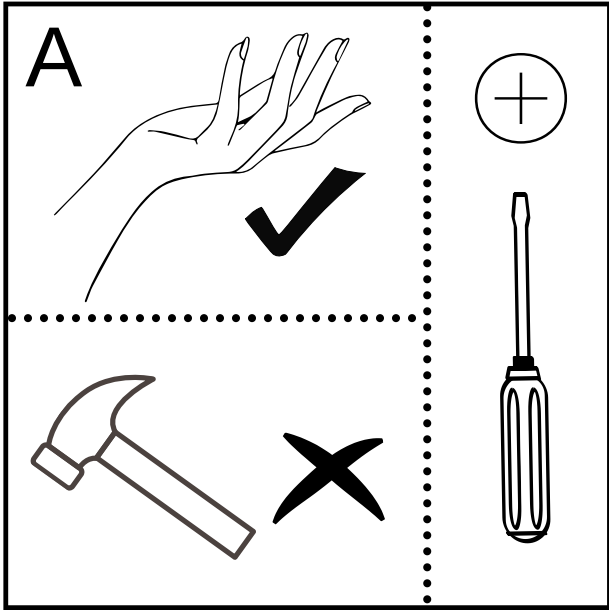
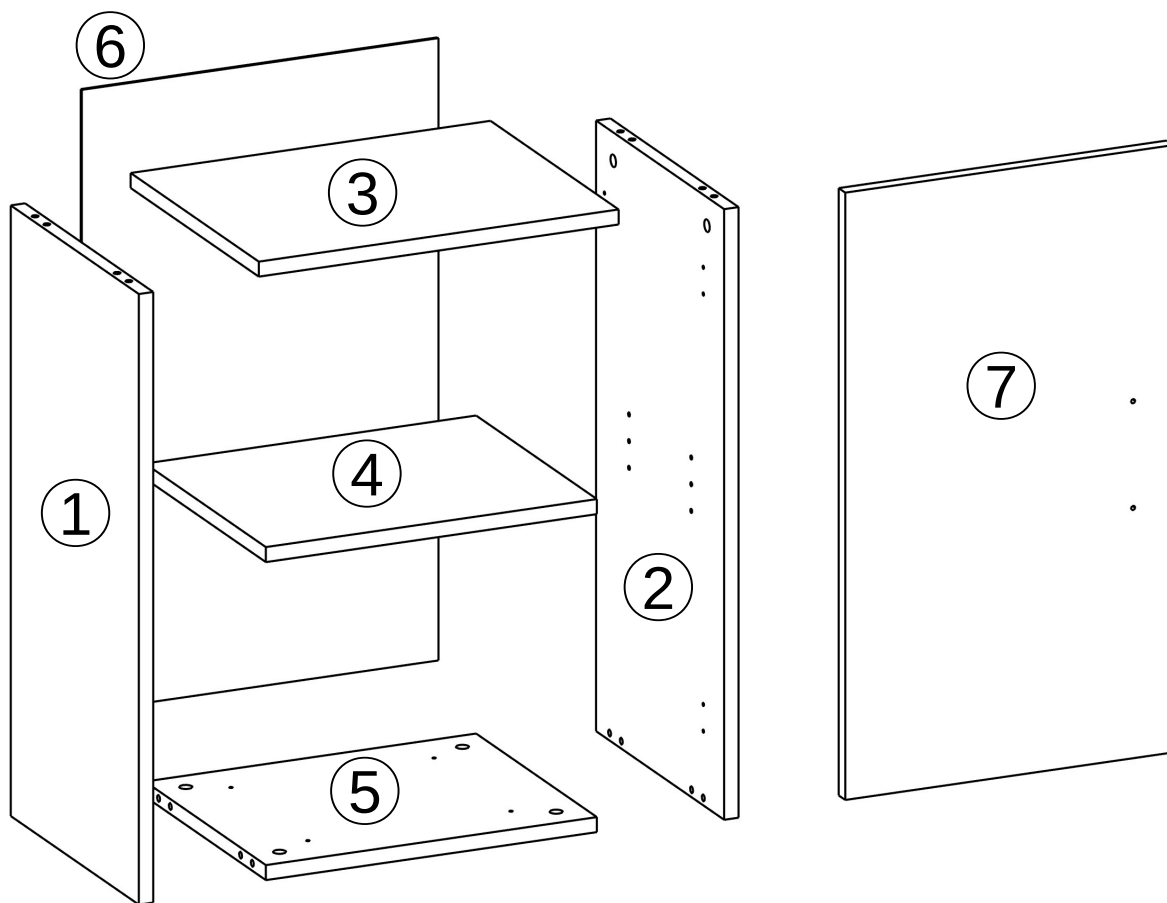


..... RIM-45

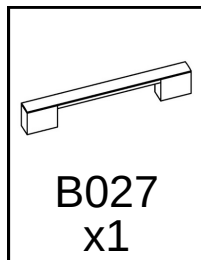
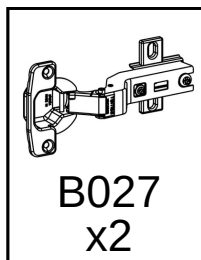
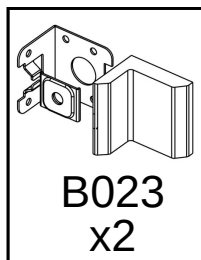
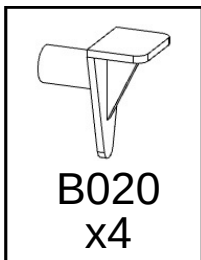
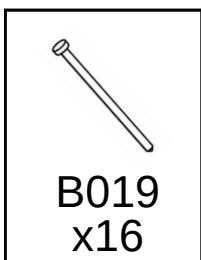
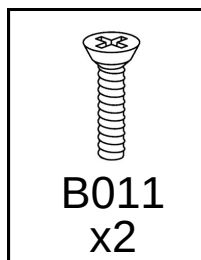
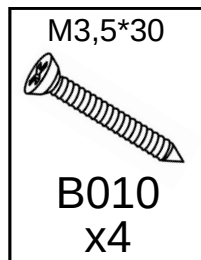
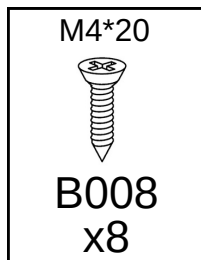
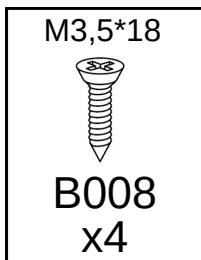
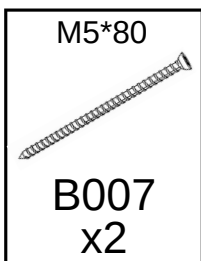
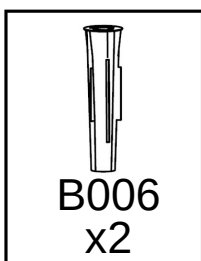
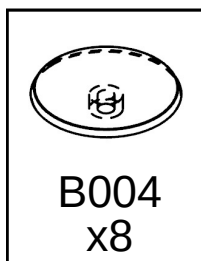
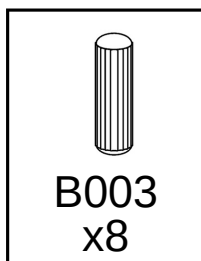
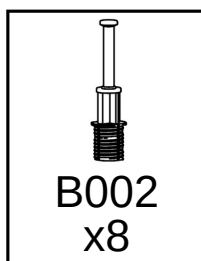
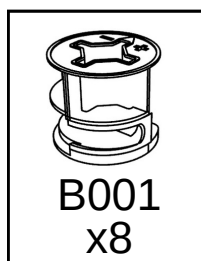




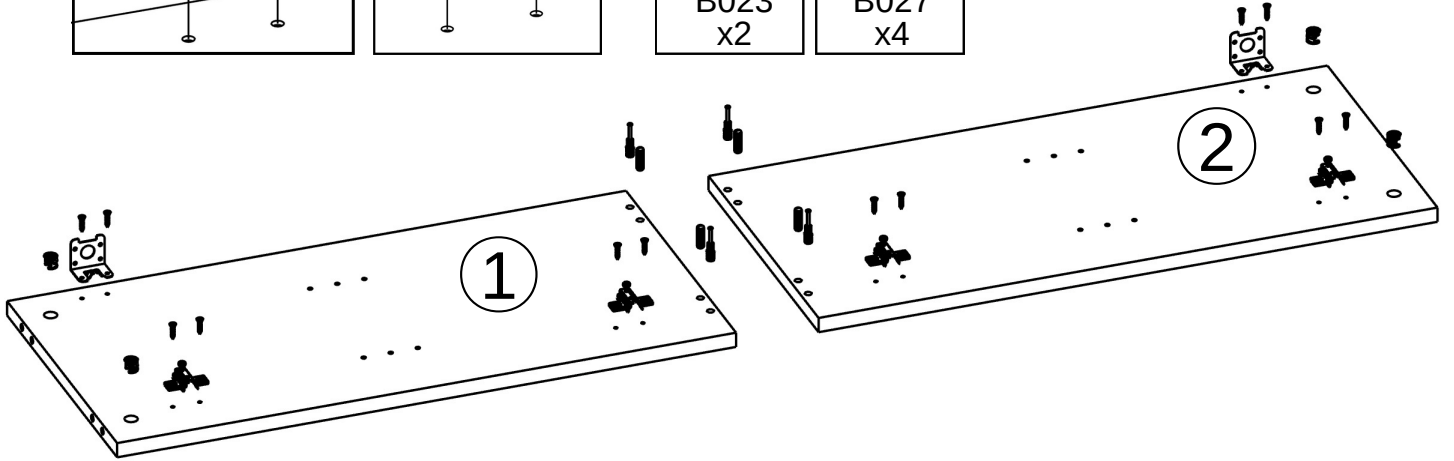
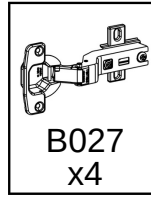
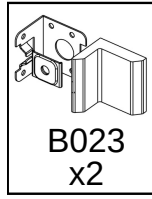
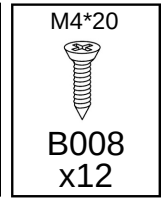
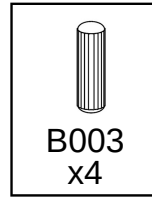
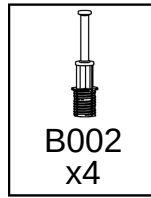
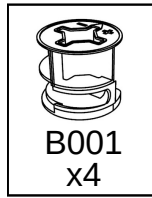
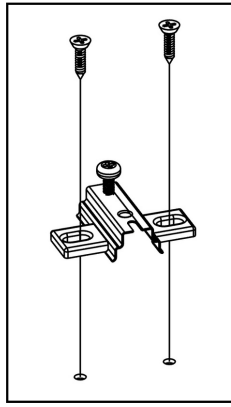
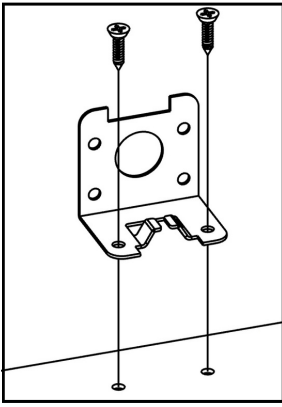
no - mm

1 - 732 * 350 * 18	x1
2 - 732 * 350 * 18	x1
3 - 450 * 350 * 18	x1

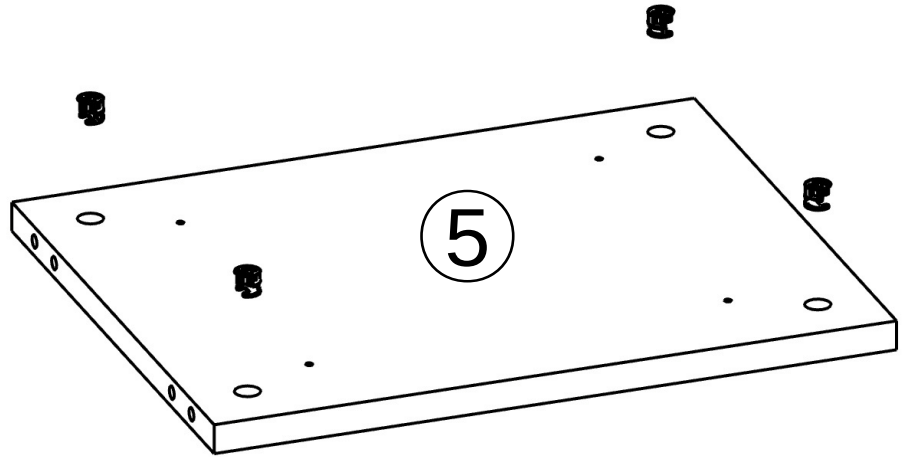
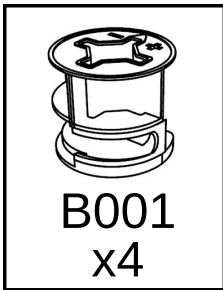
4 - 414 * 330 * 18	x1
5 - 414 * 330 * 18	x1
6 - 746 * 446 * 3	x1
7 - 728 * 408 * 18	x1



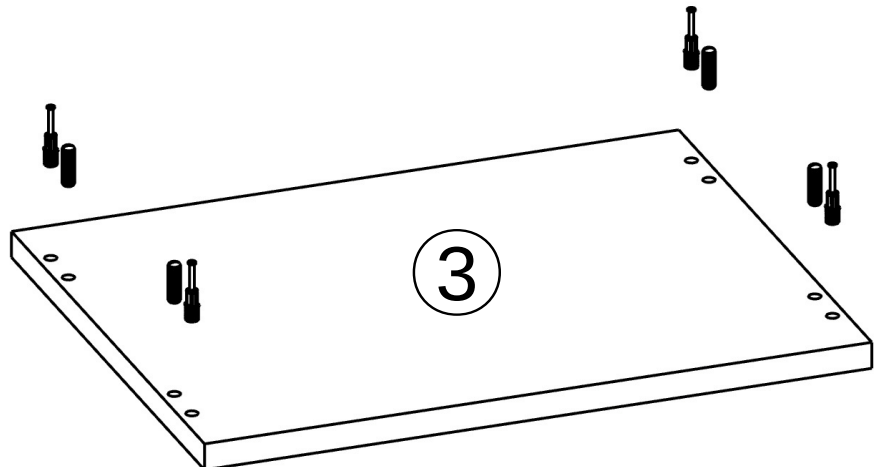
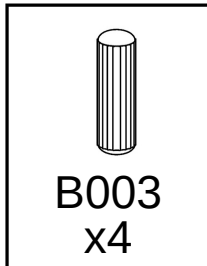
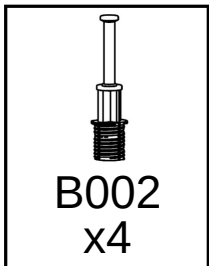
1



2

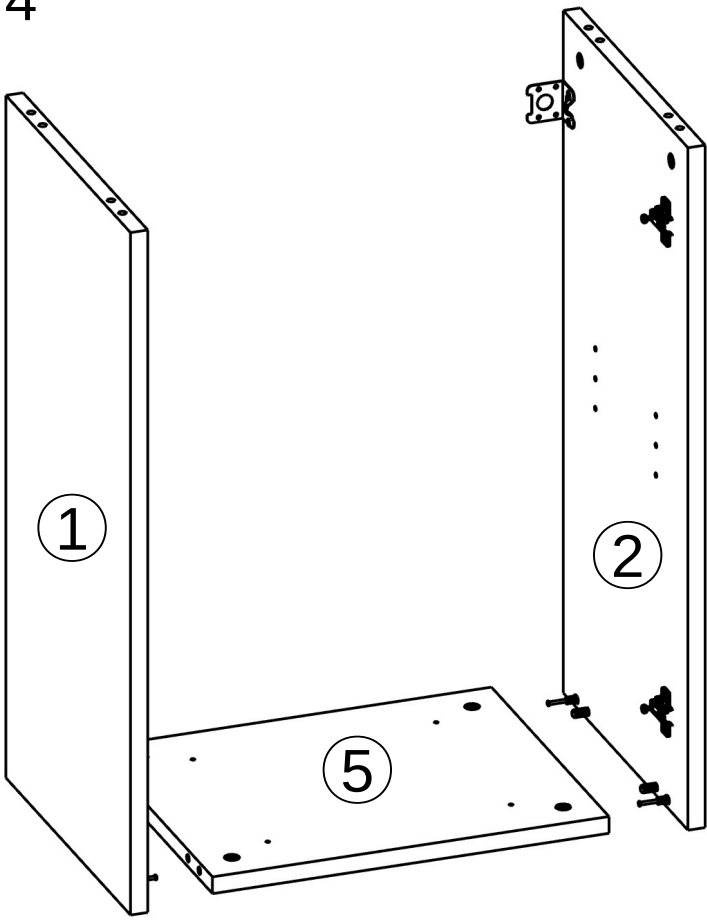


3

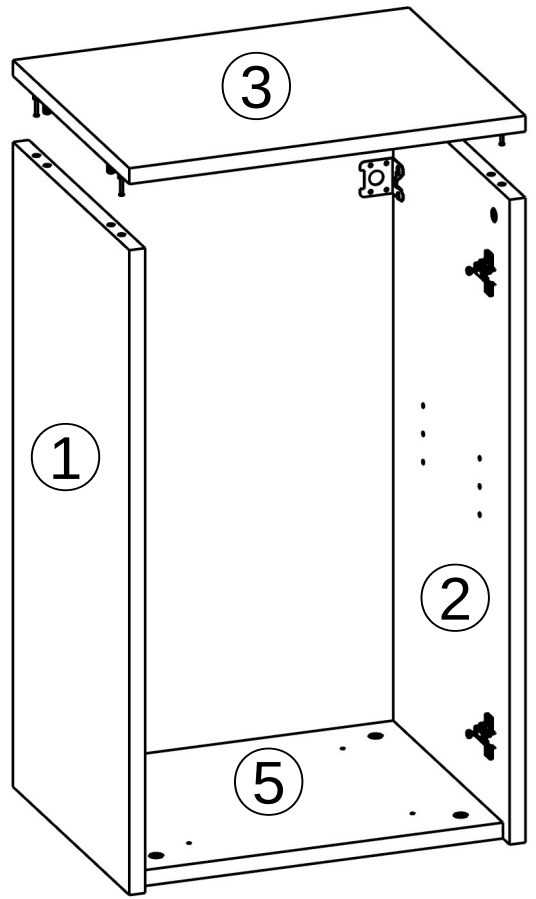


4

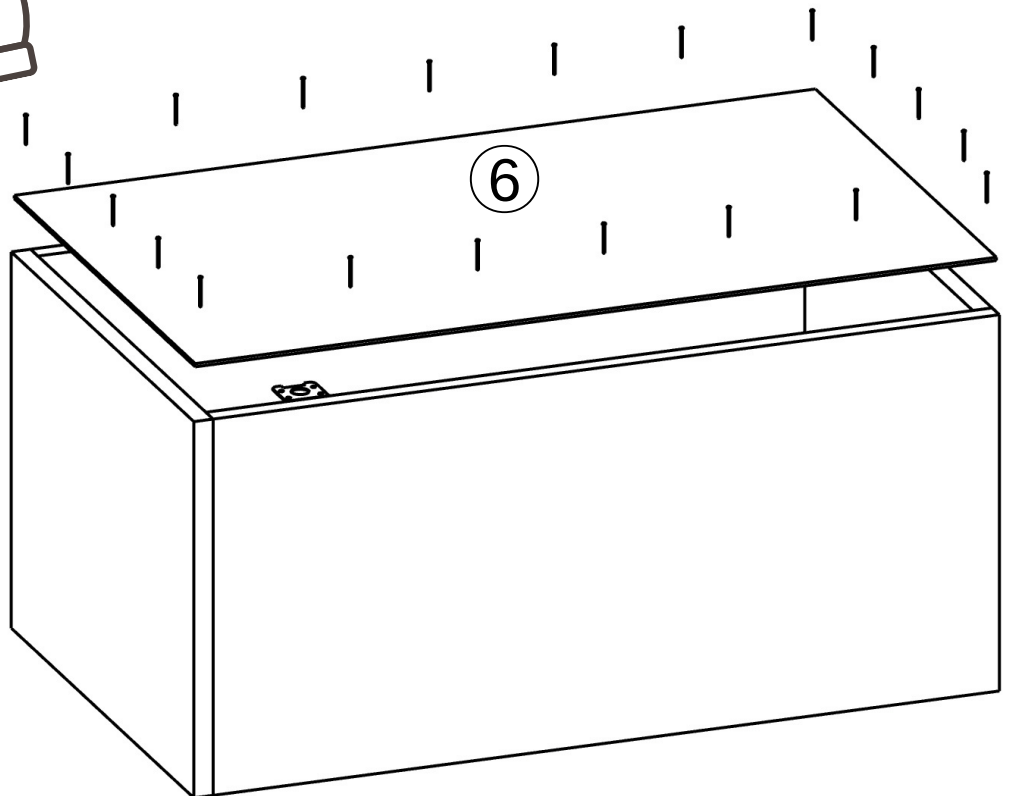
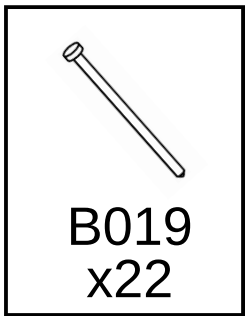
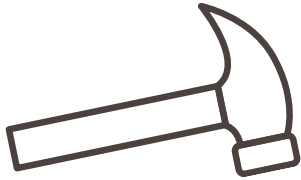
4



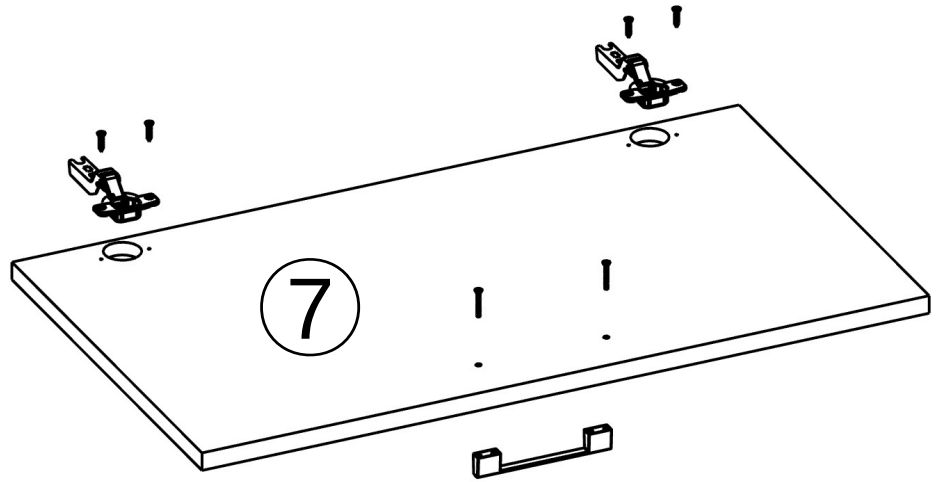
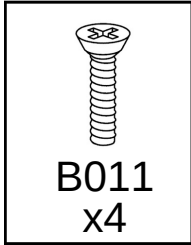
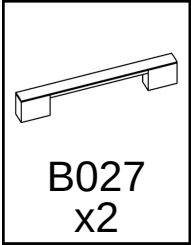
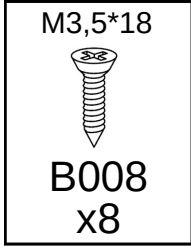
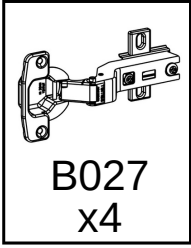
5



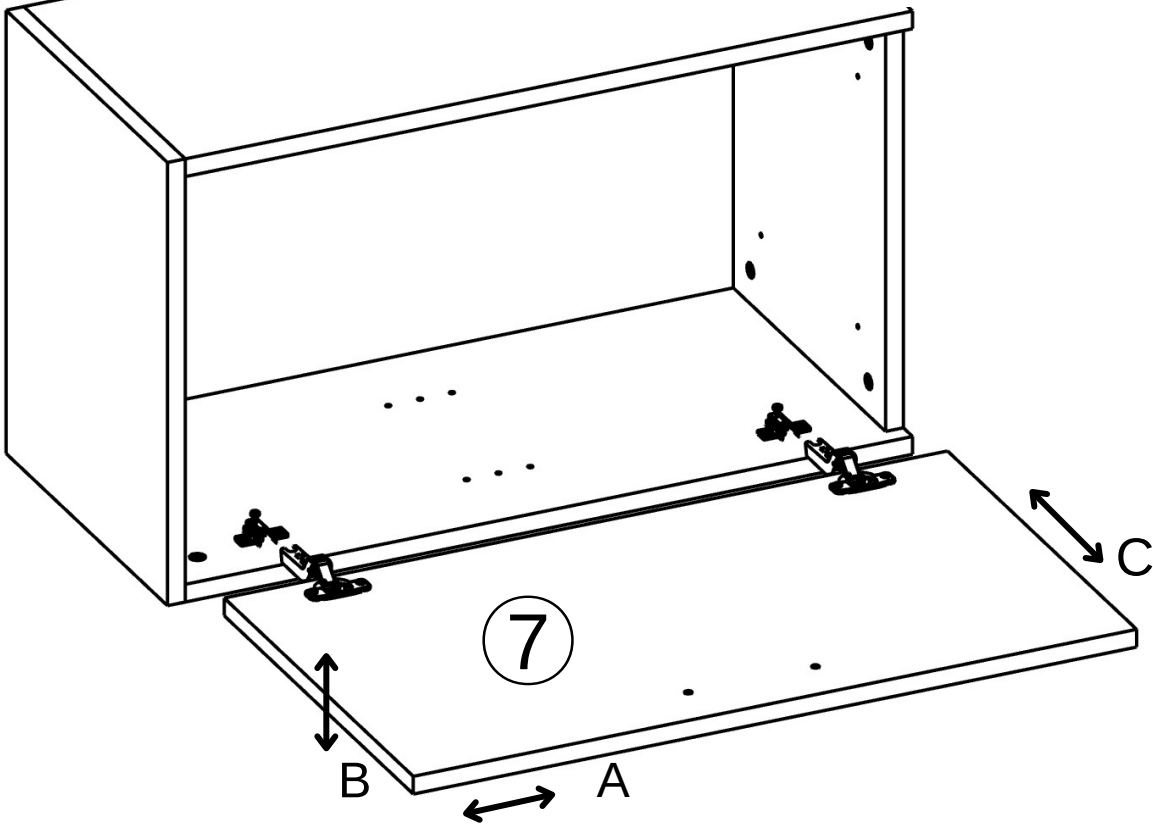
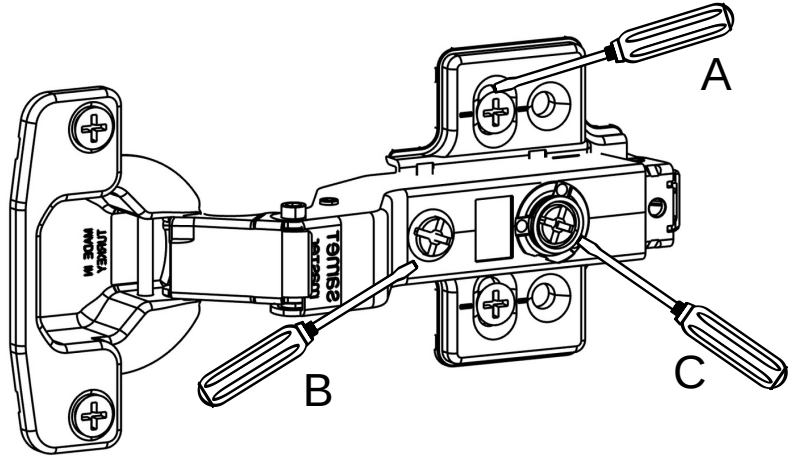
6



7

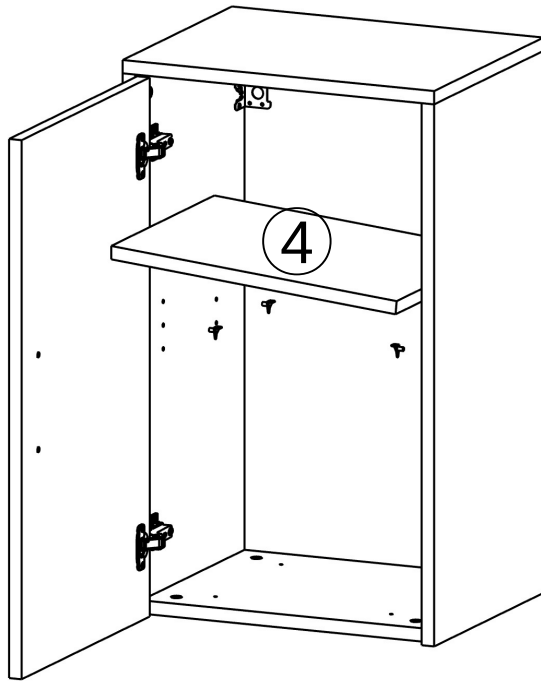


8

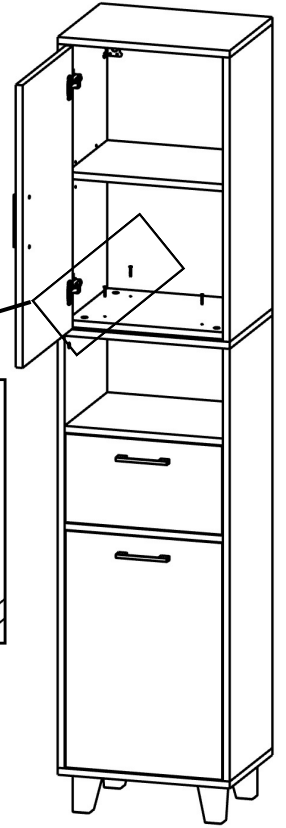
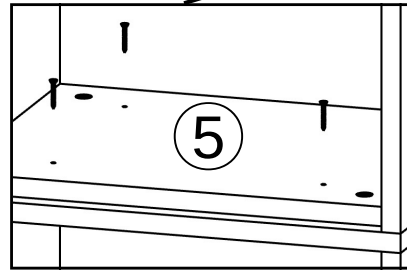
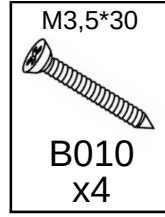


6

9



10



11

