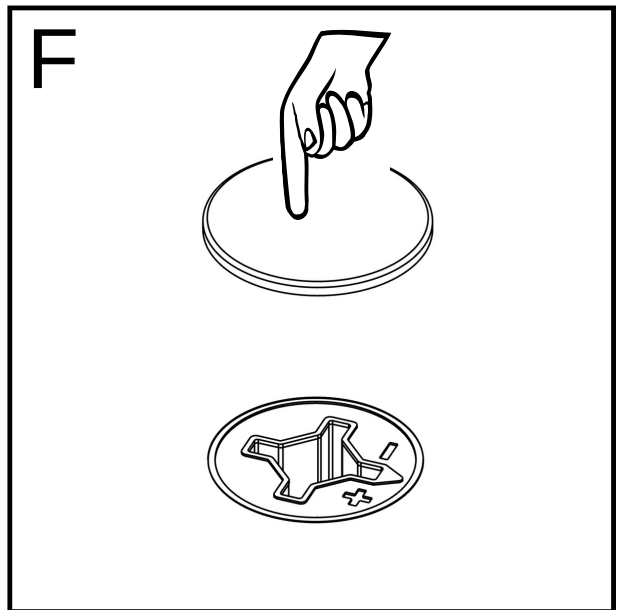
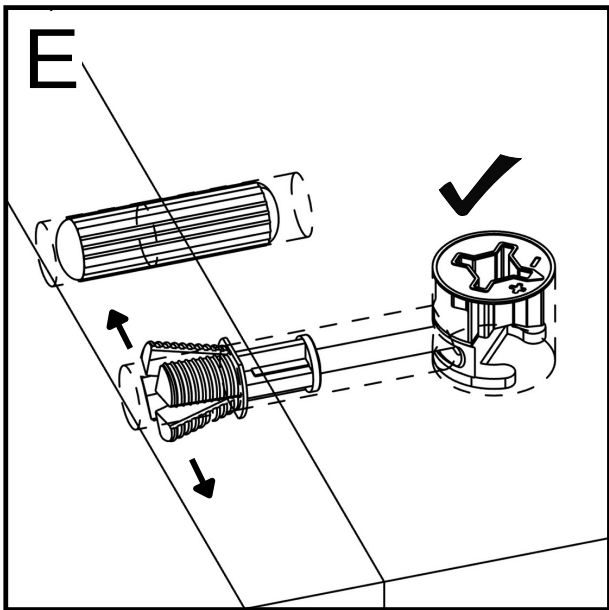
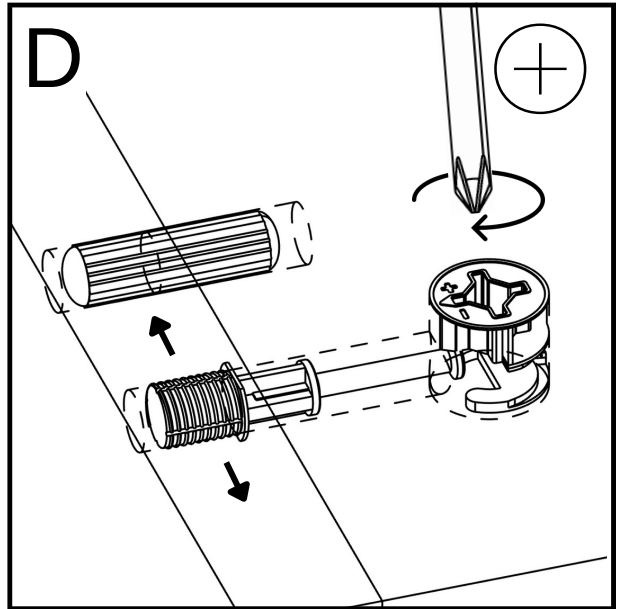
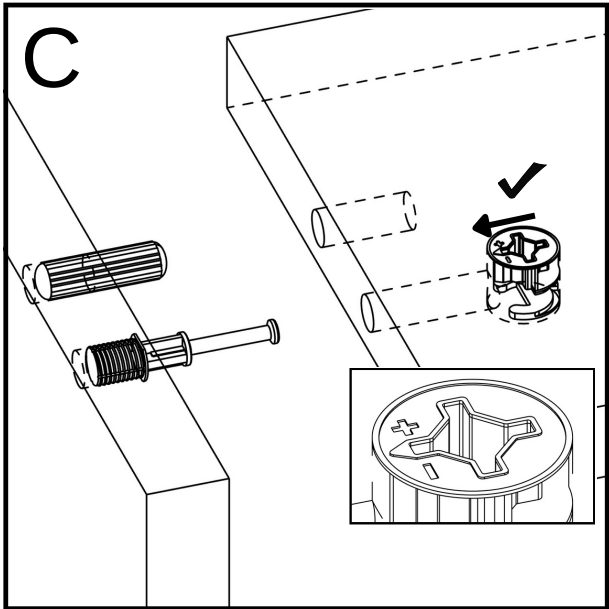
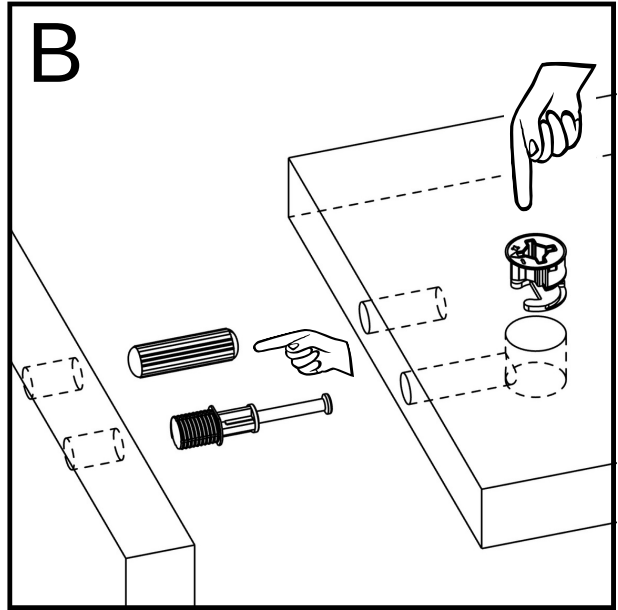
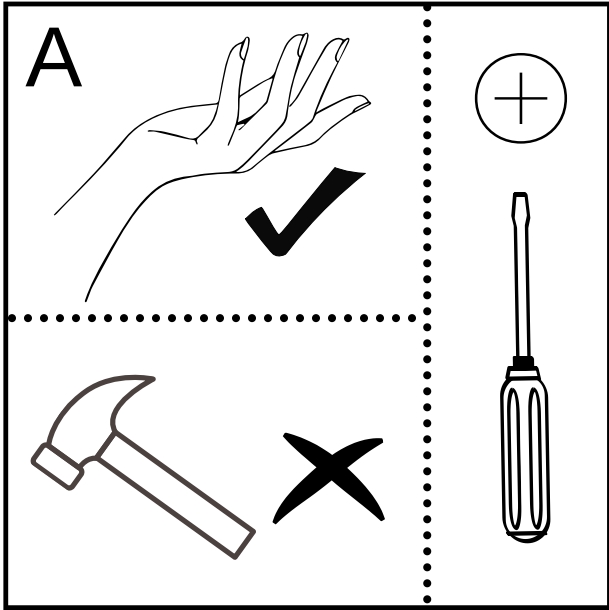
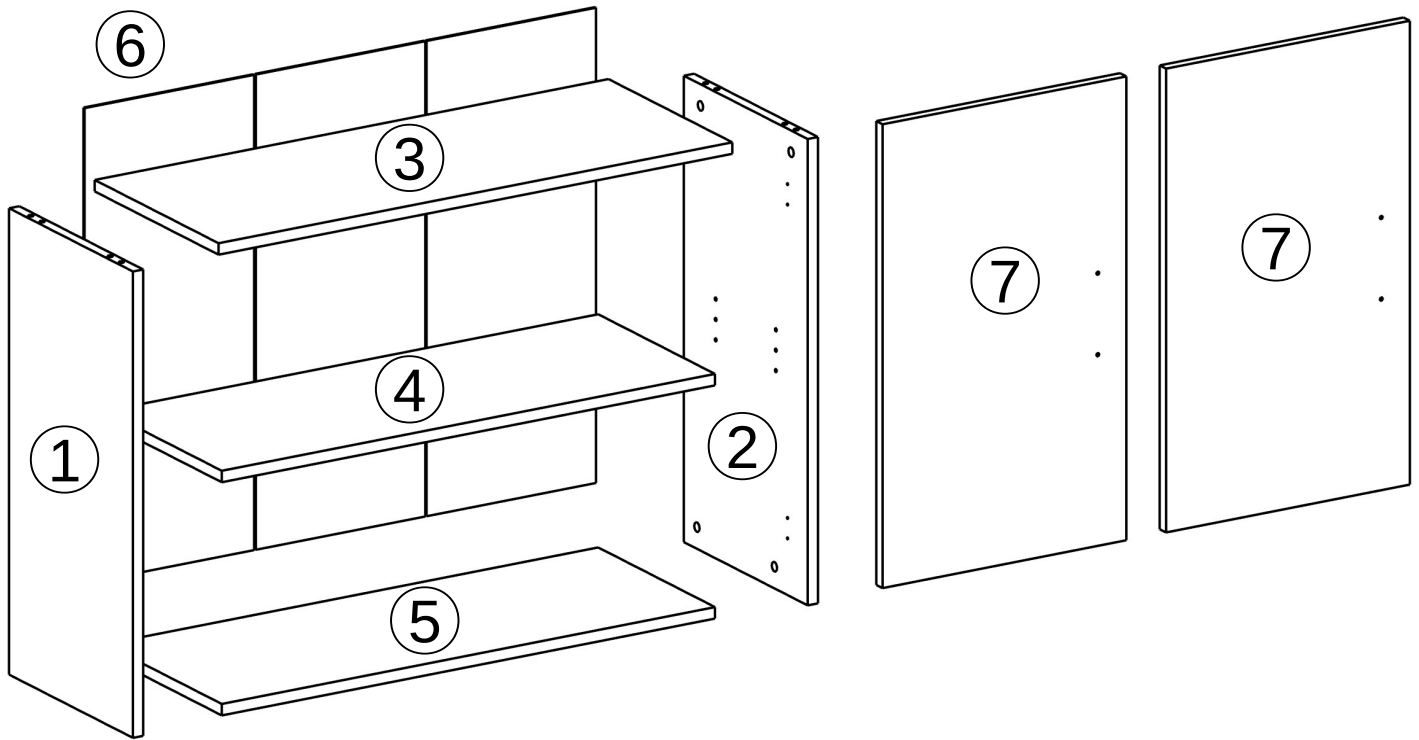


..... RIM-90

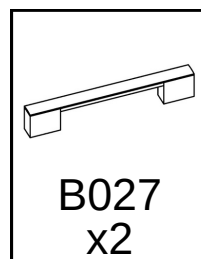
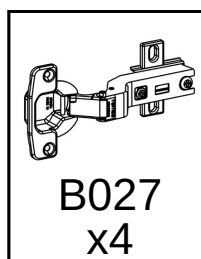
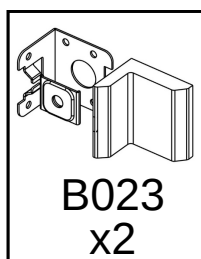
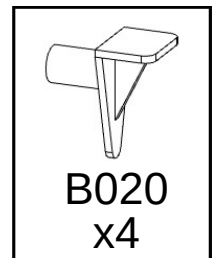
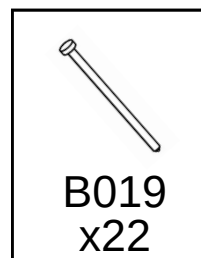
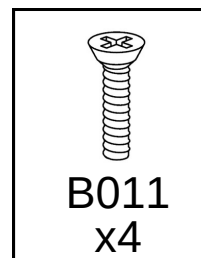
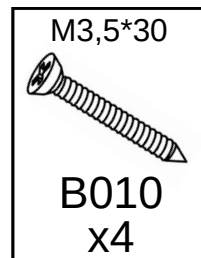
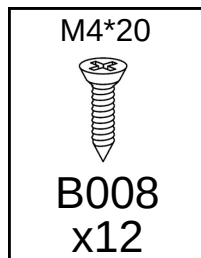
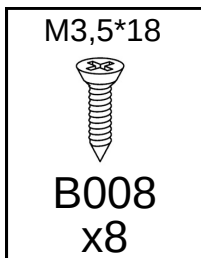
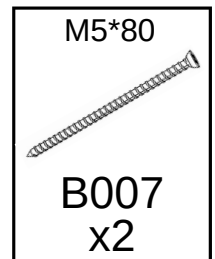
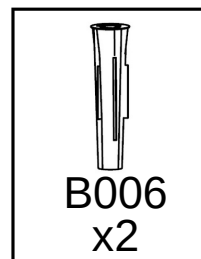
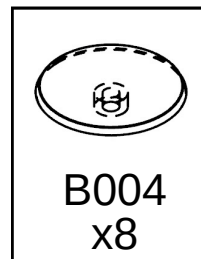
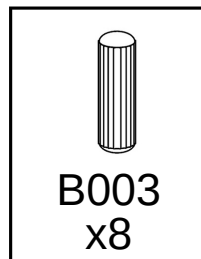
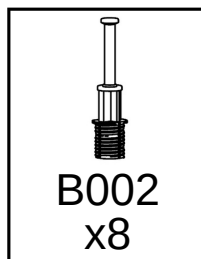
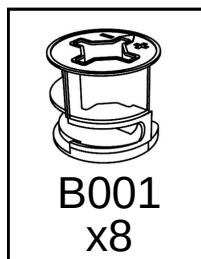




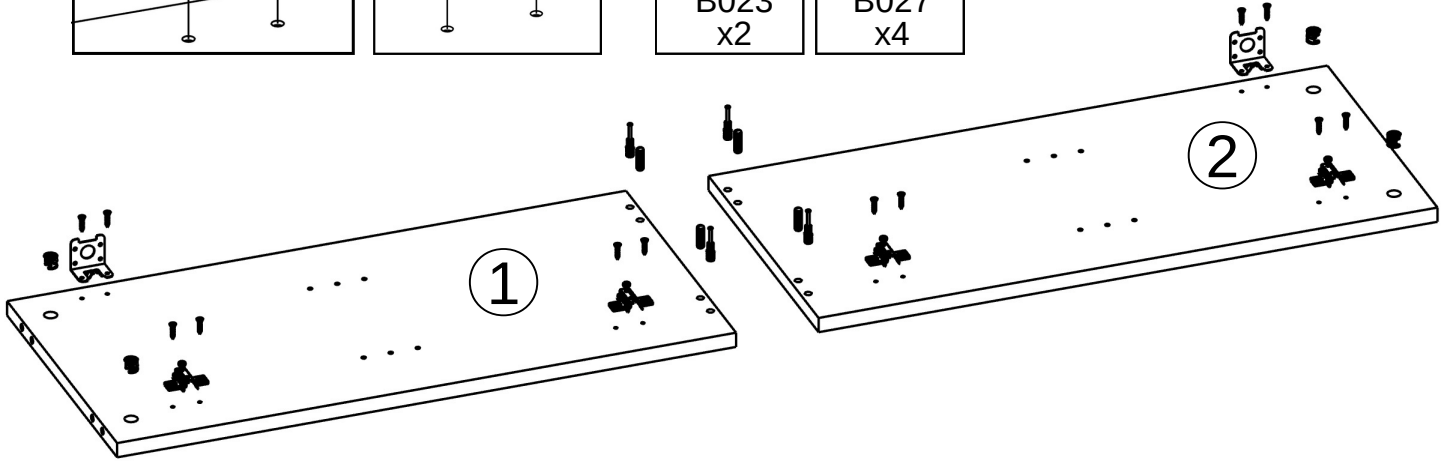
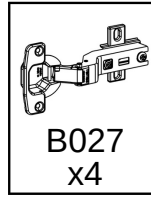
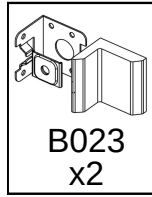
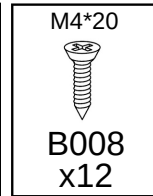
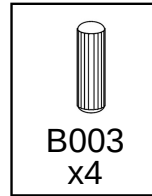
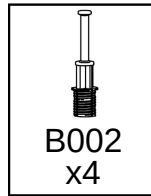
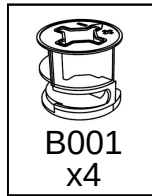
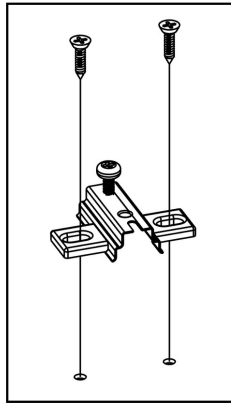
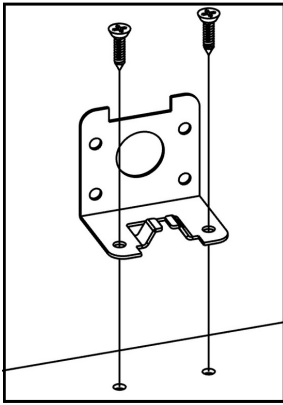
no - mm

1 - 732 * 350 * 18	x1
2 - 732 * 350 * 18	x1
3 - 900 * 350 * 18	x1

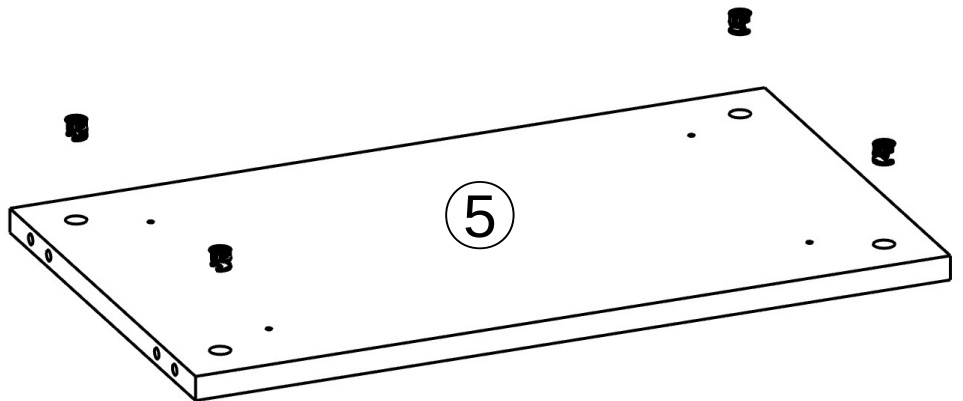
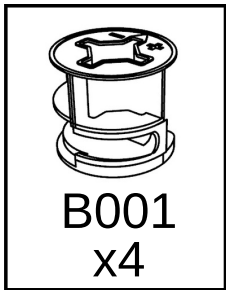
4 - 864 * 330 * 18	x1
5 - 864 * 330 * 18	x1
6 - 746 * 298 * 3	x3
7 - 728 * 427 * 18	x2



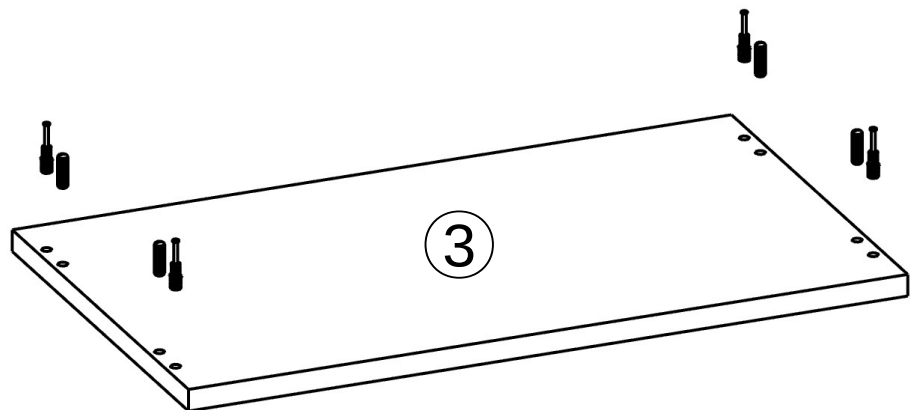
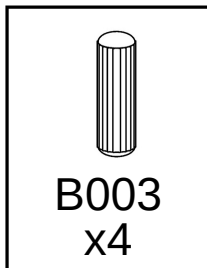
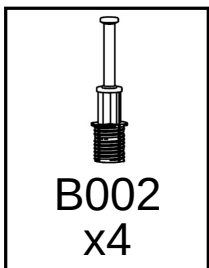
1



2

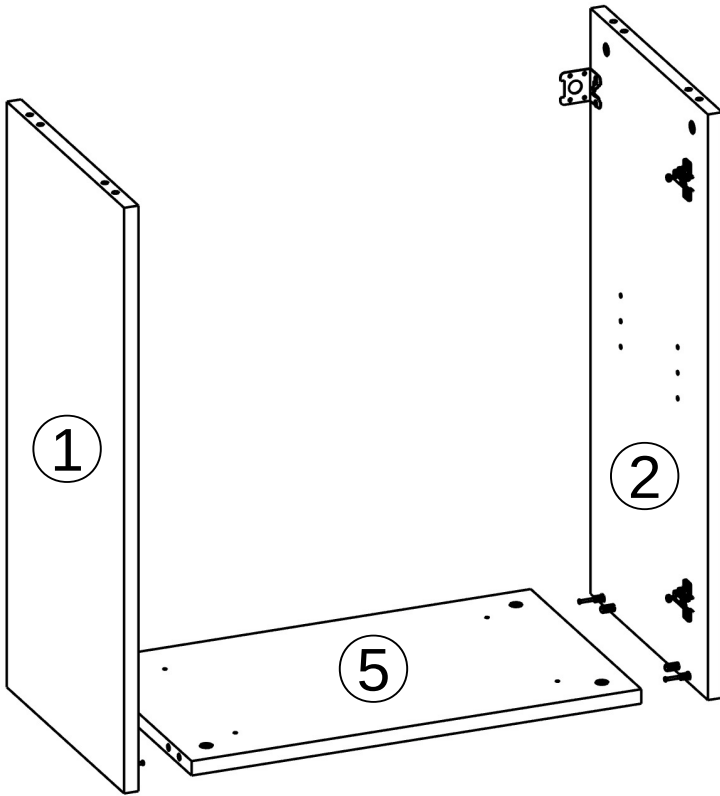


3

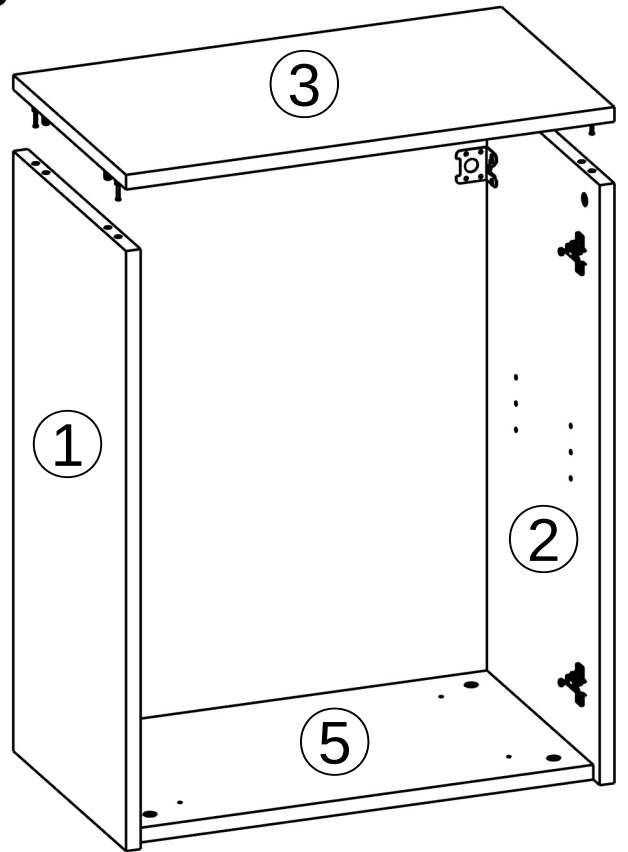


4

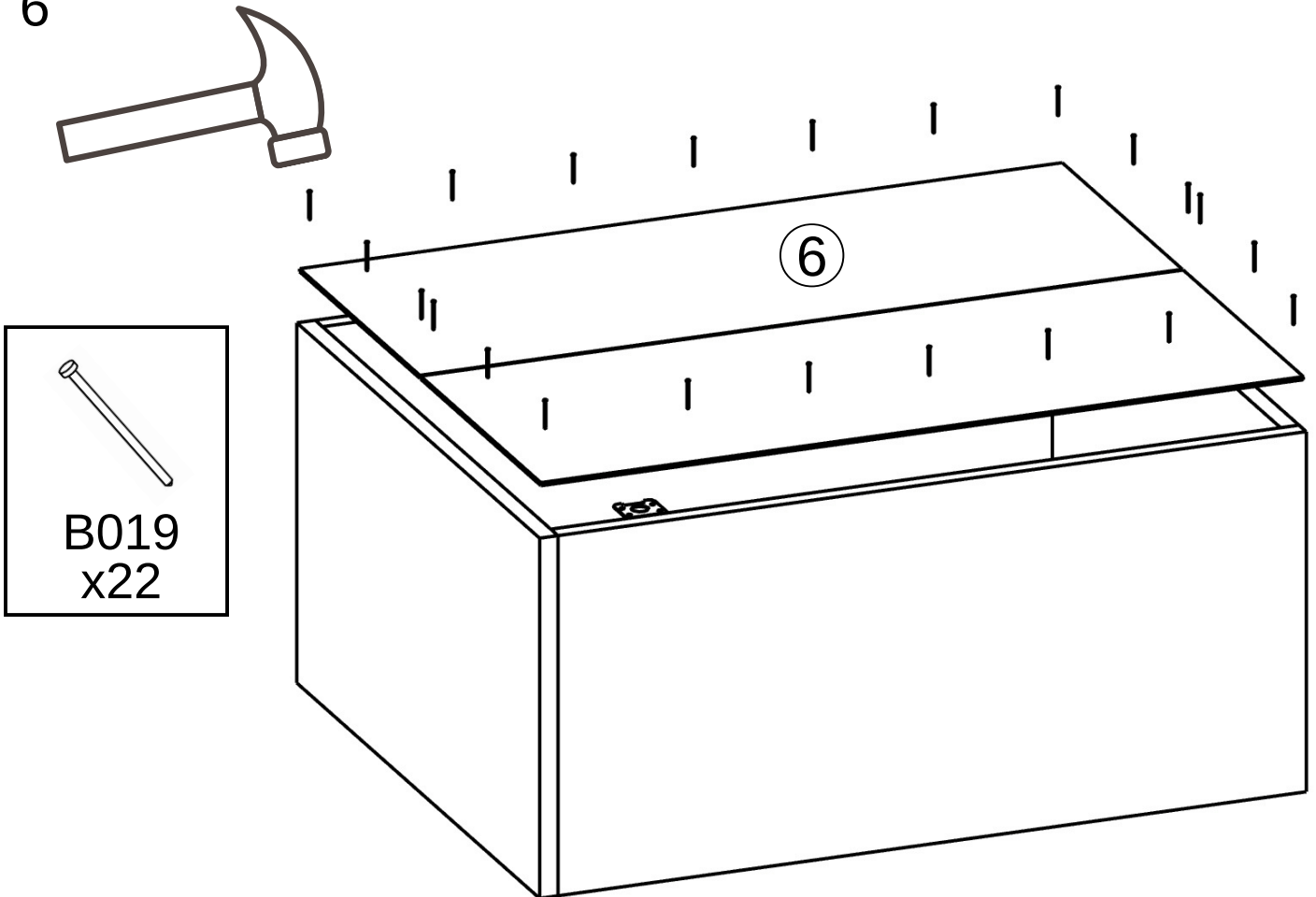
4



5

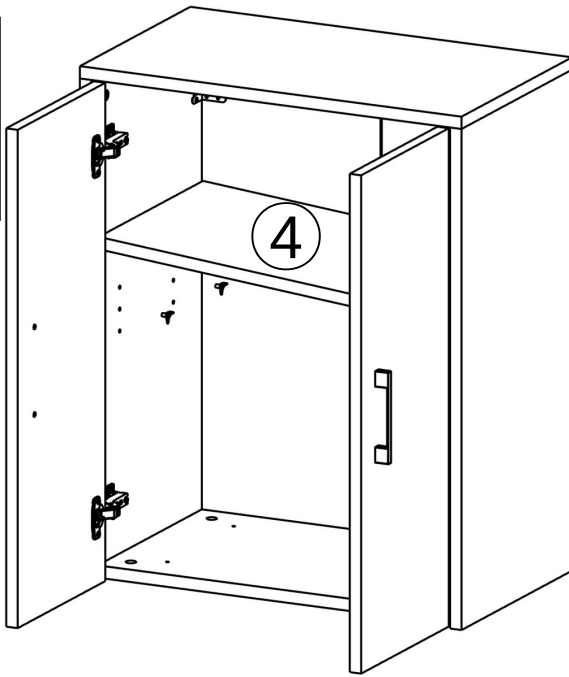
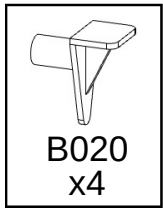


6

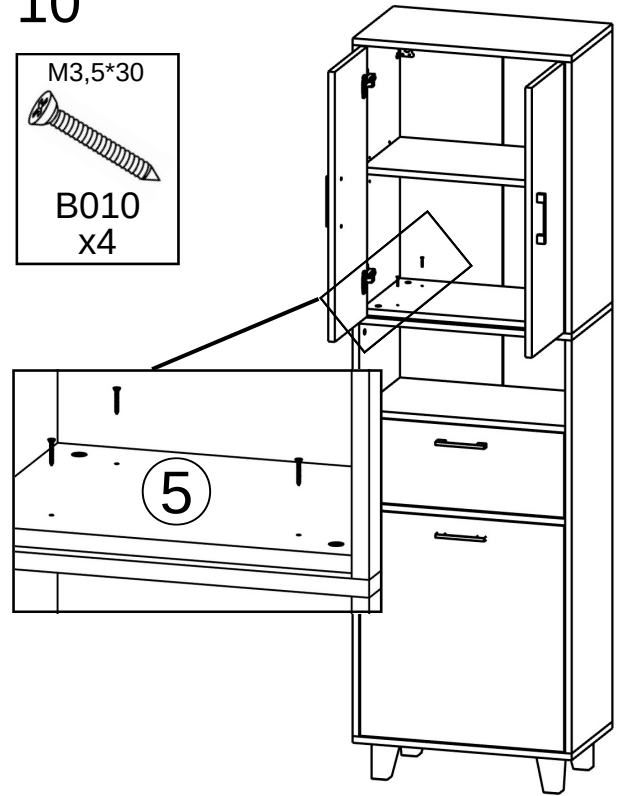
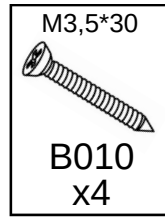


5

9



10



11

