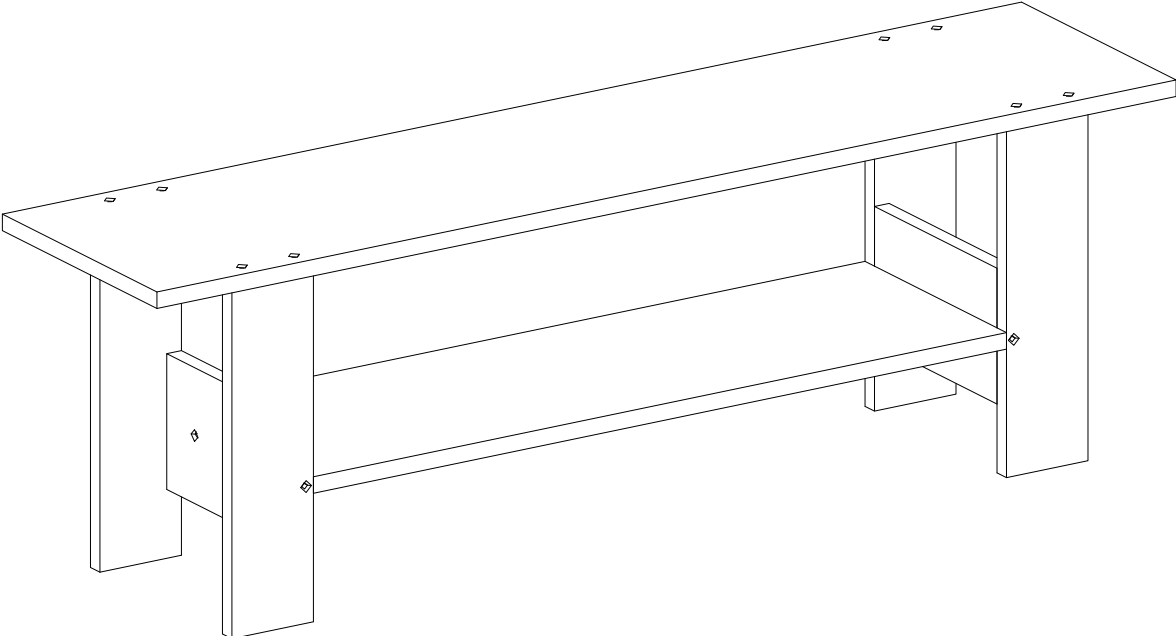
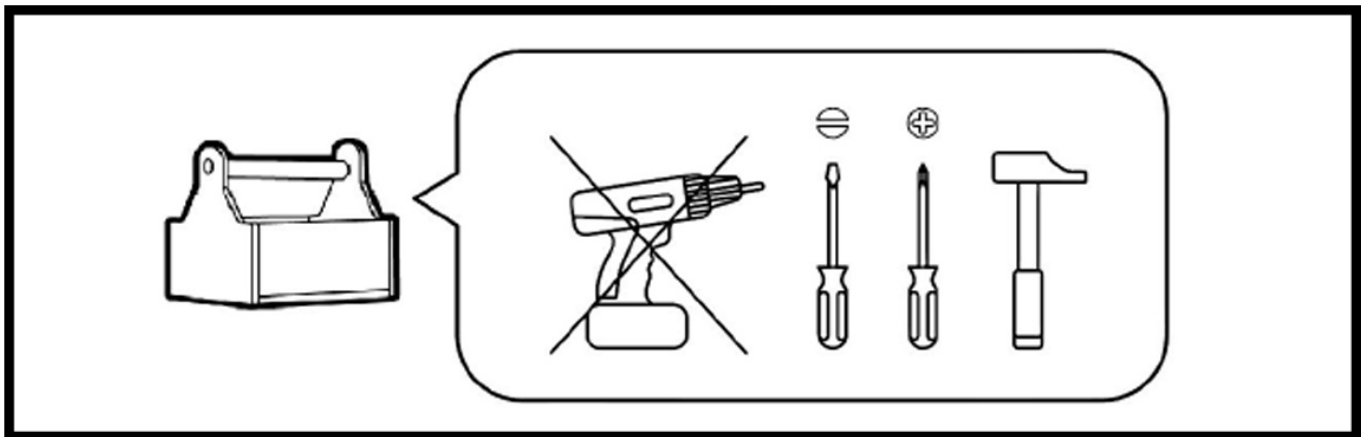
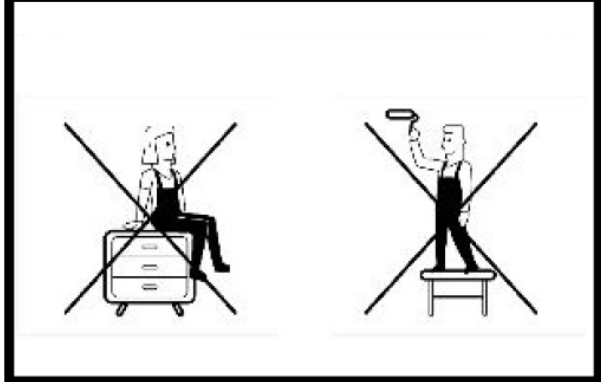
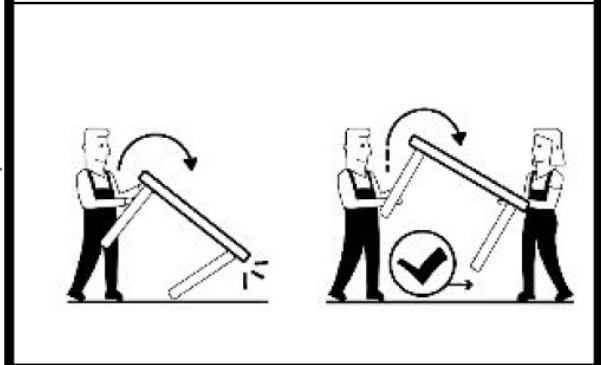
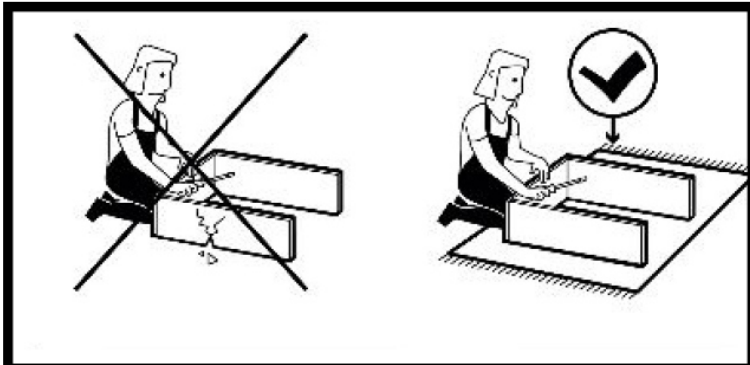
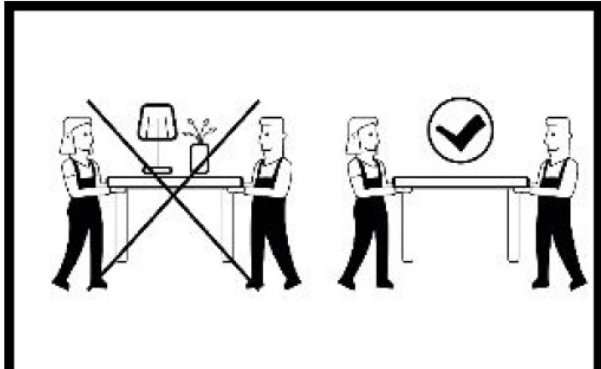
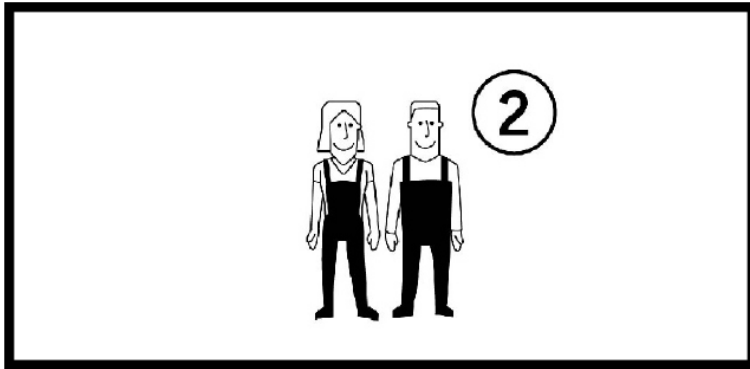


# NERO

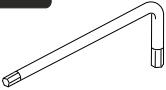
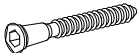

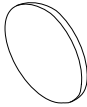
TV UNIT

---



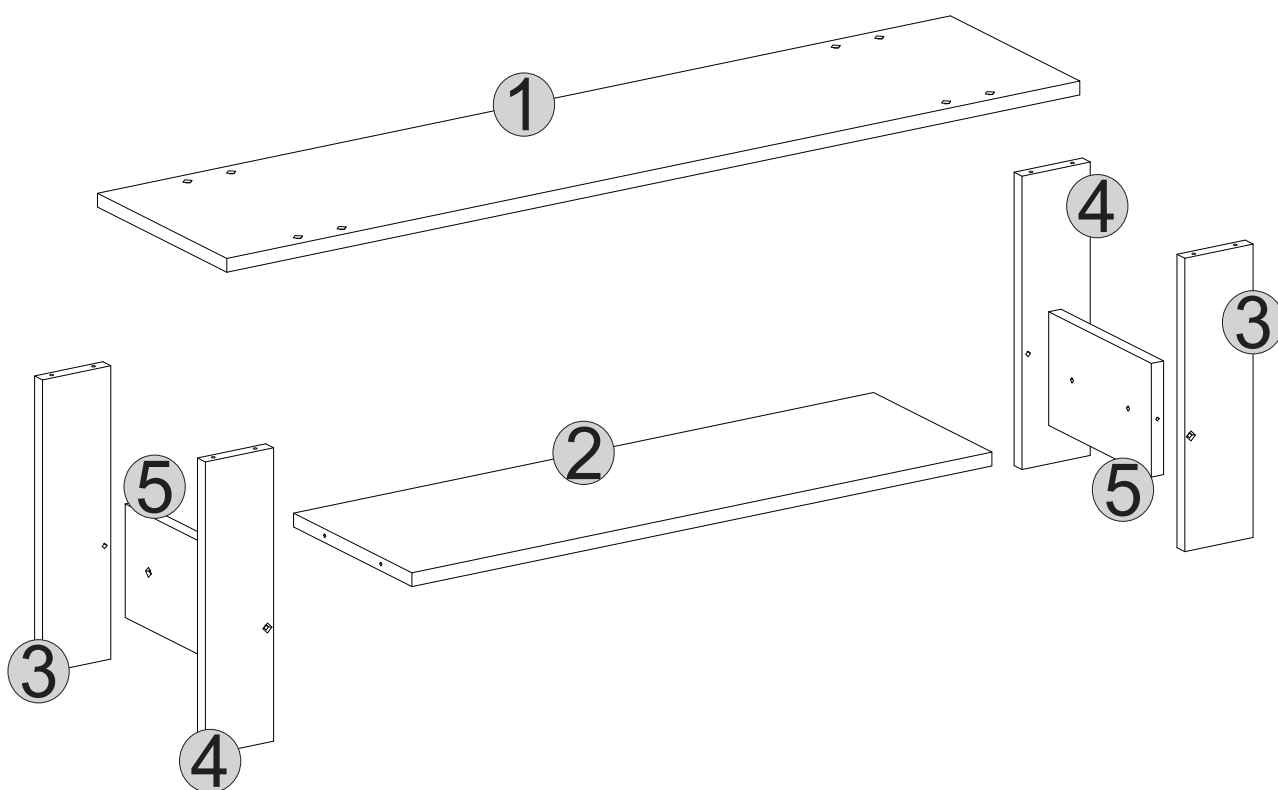


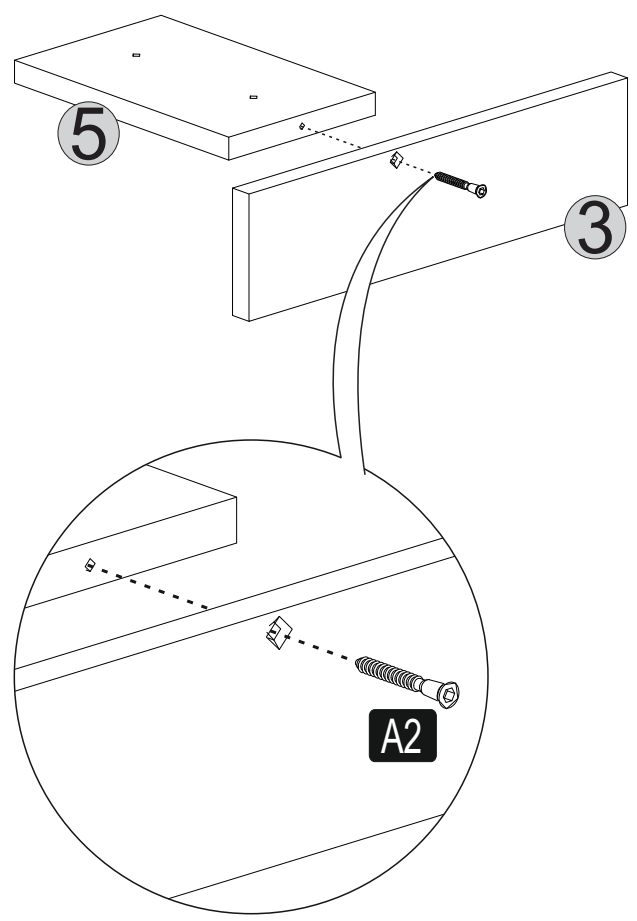
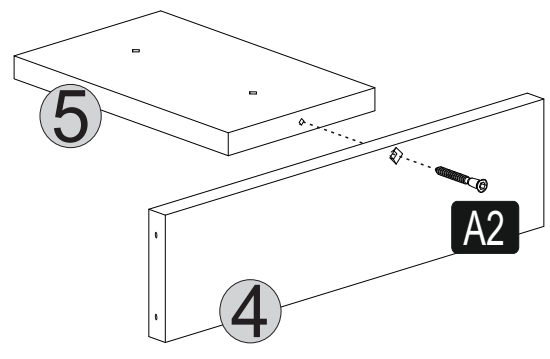
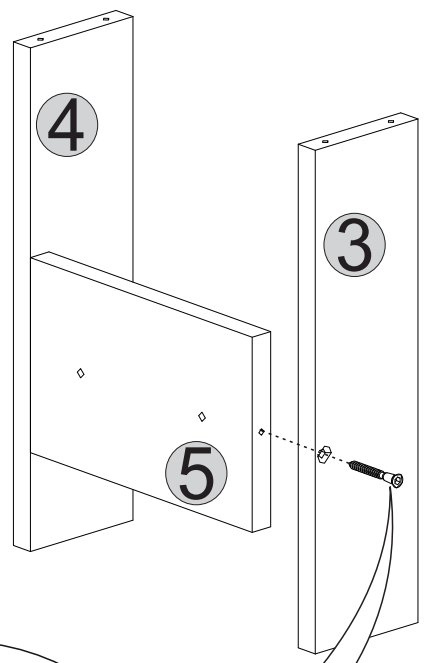
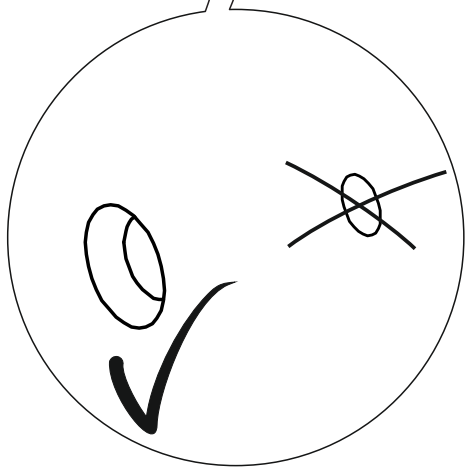
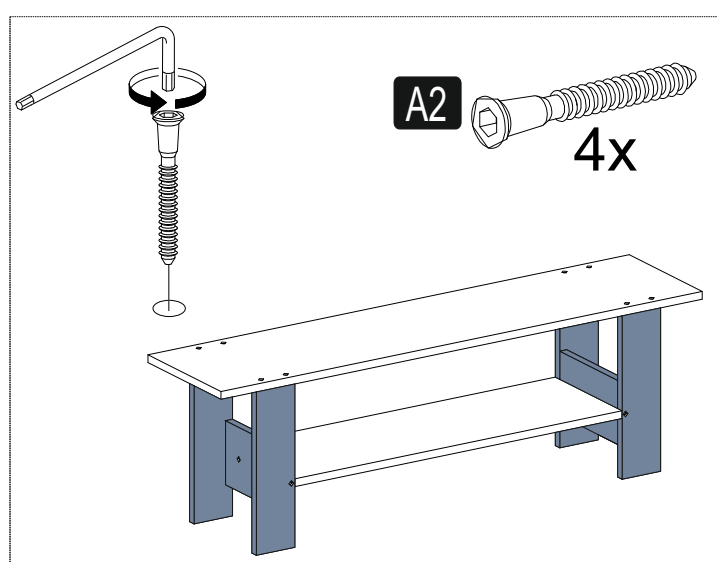
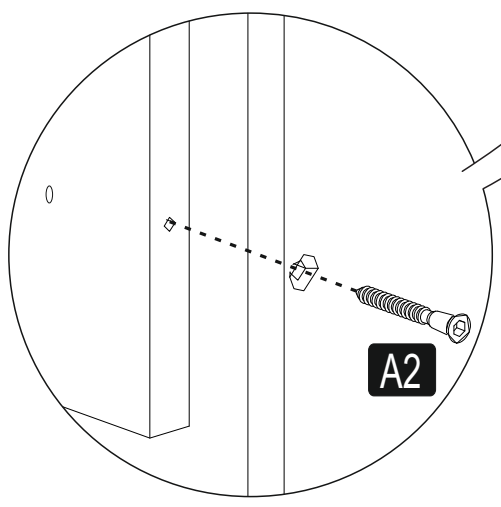
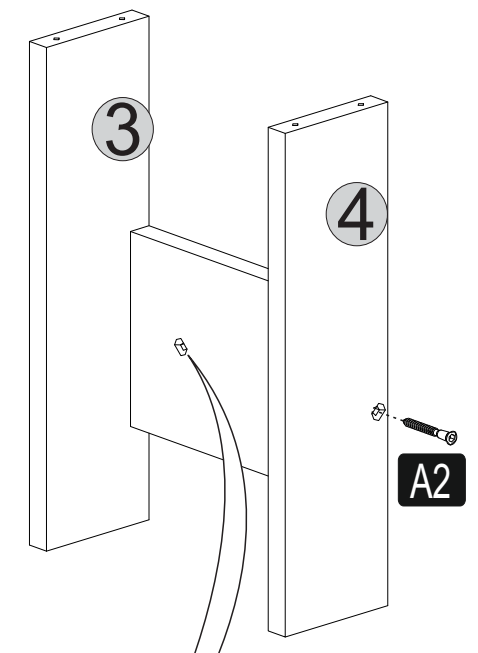
# ACCESSORY LIST

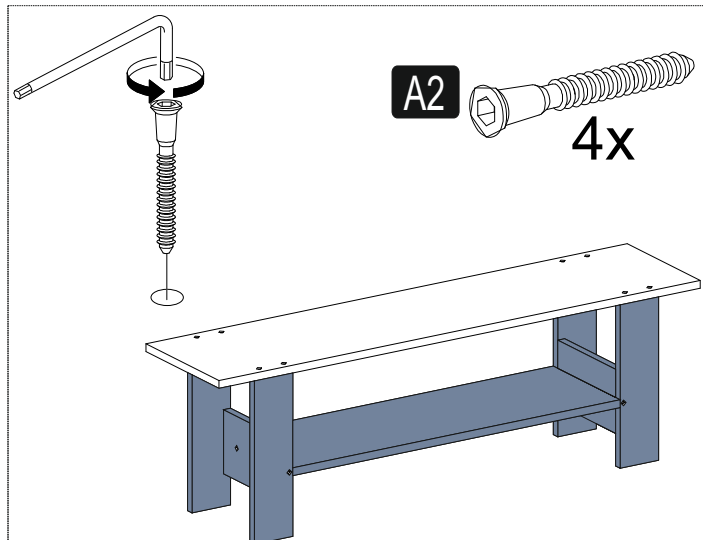
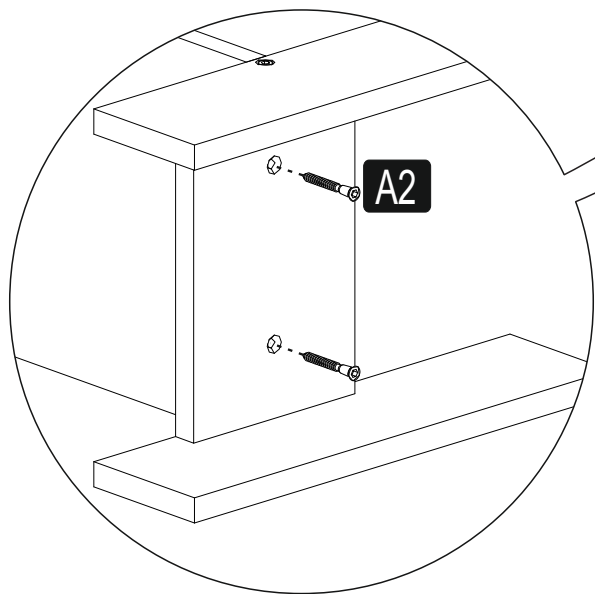
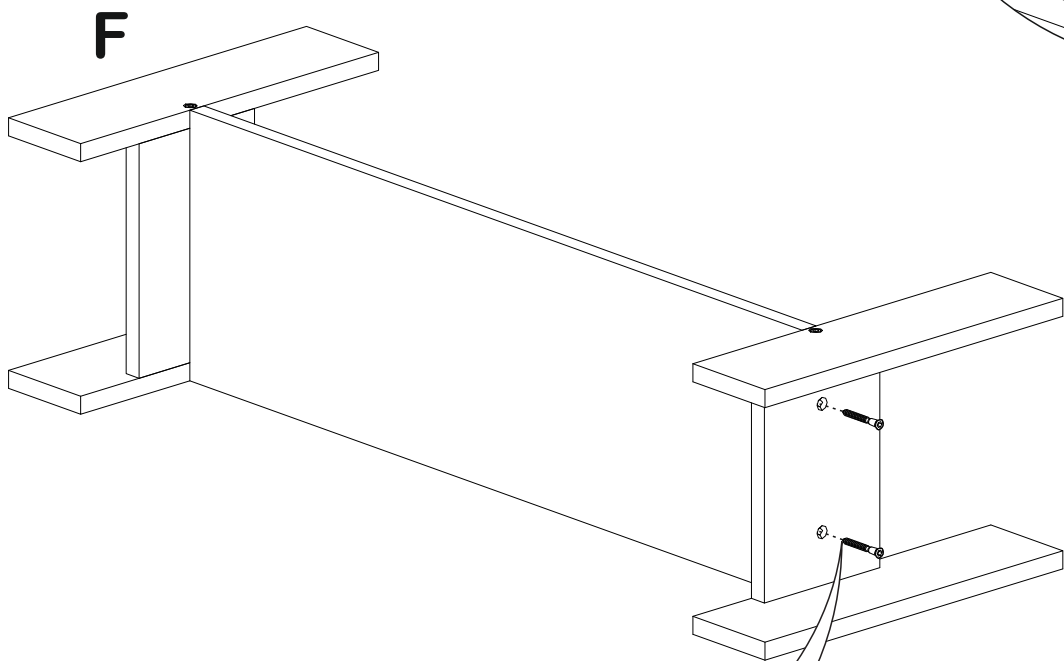
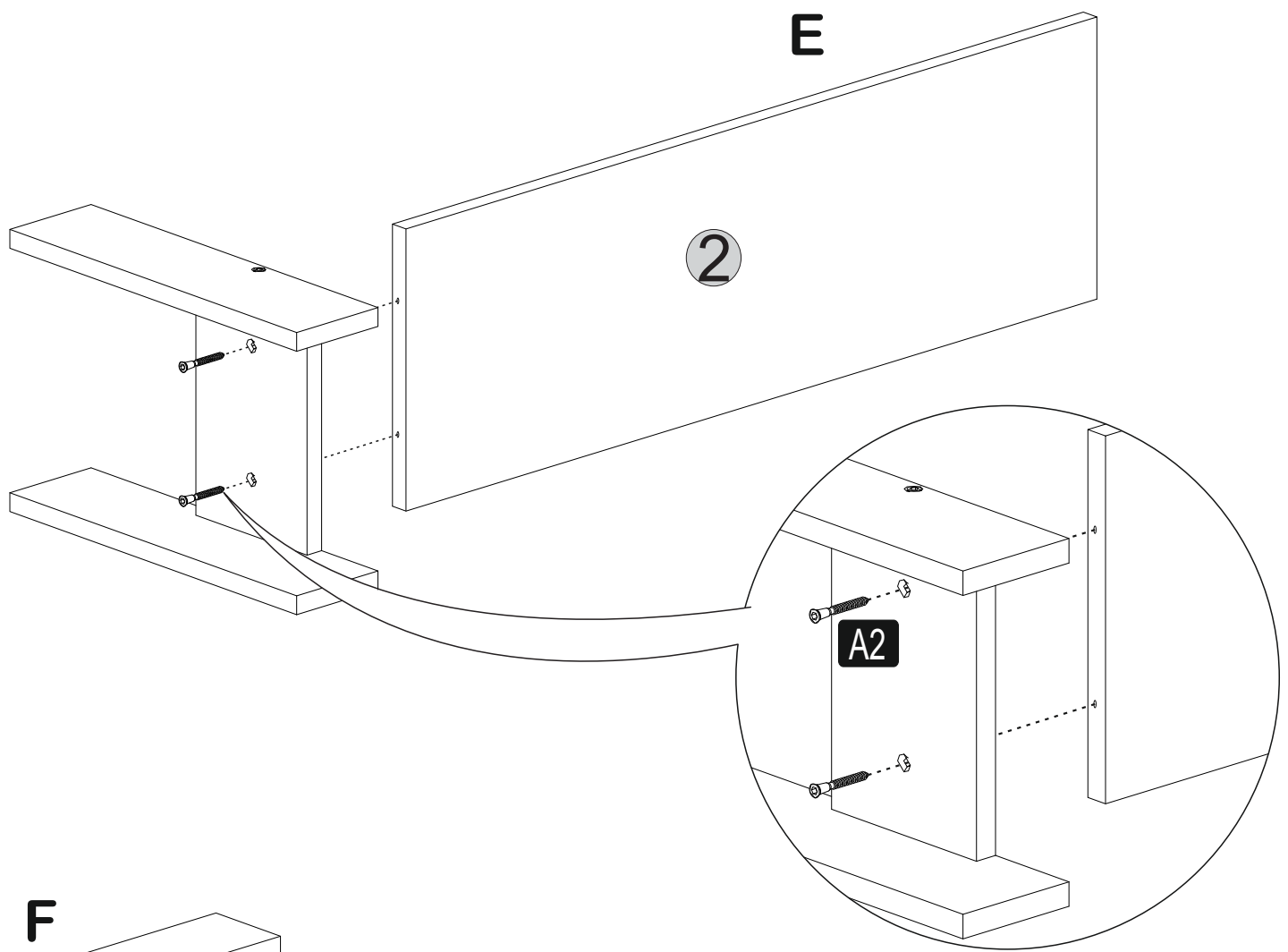
<b>A1</b>  1x	<b>A2</b>  16x	<b>A3</b>  16x	<b>A4</b>  4x	

## GENERAL VIEW

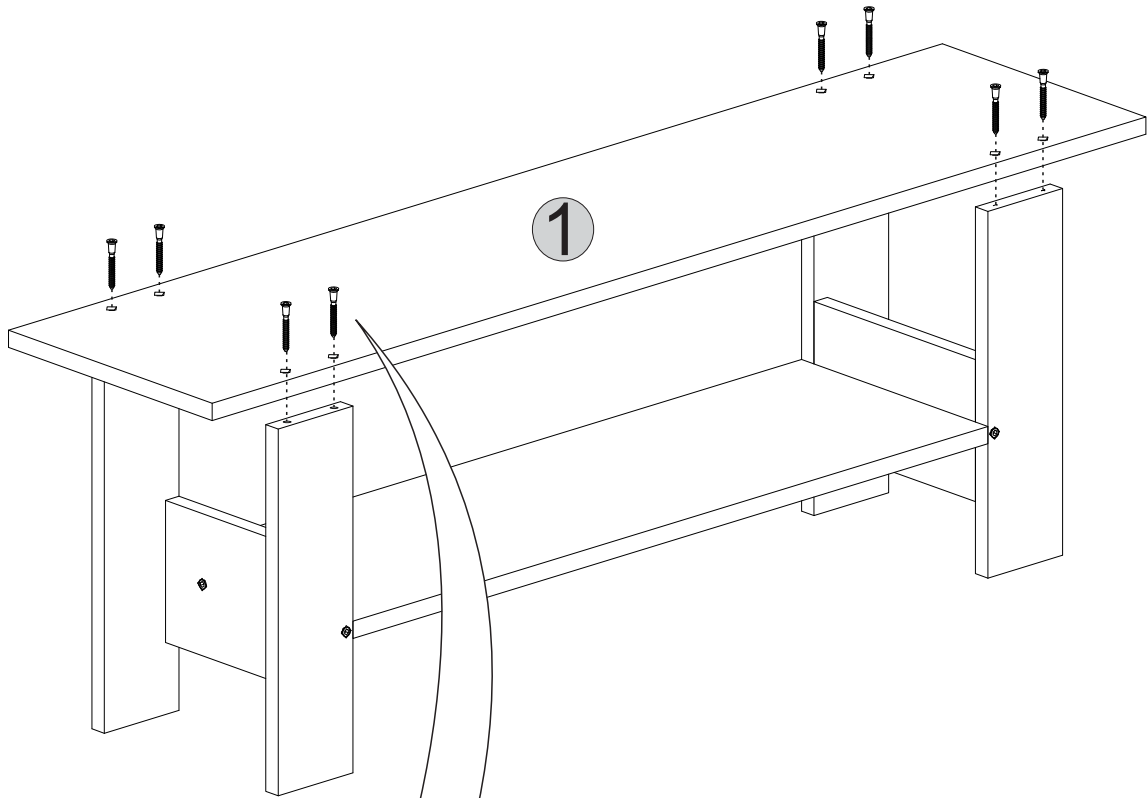
1	1250	295	18	1
2	850	270	18	1
3	382	100	18	2
4	382	100	18	2
5	148	234	18	2



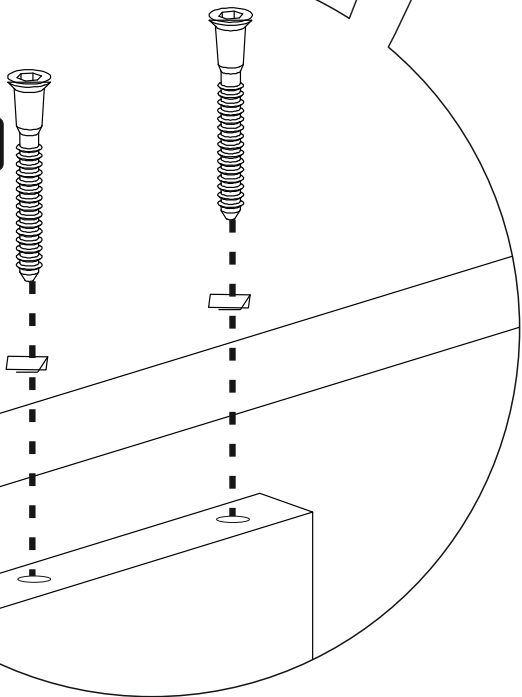
**A****B****C****D**



**G**

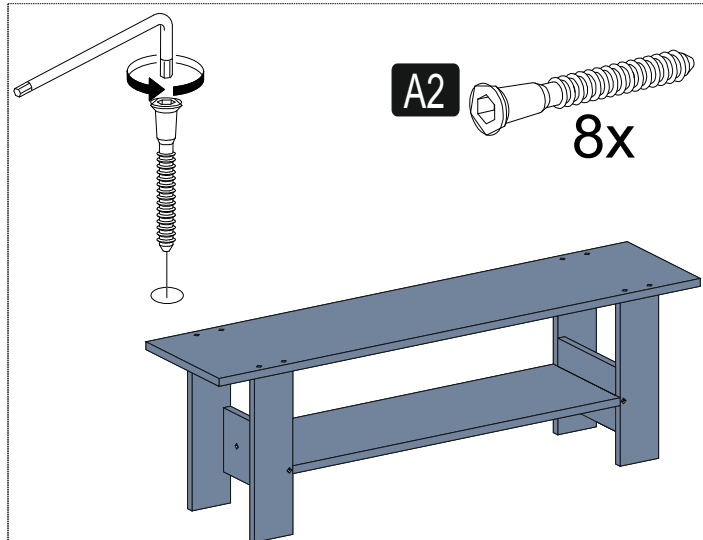


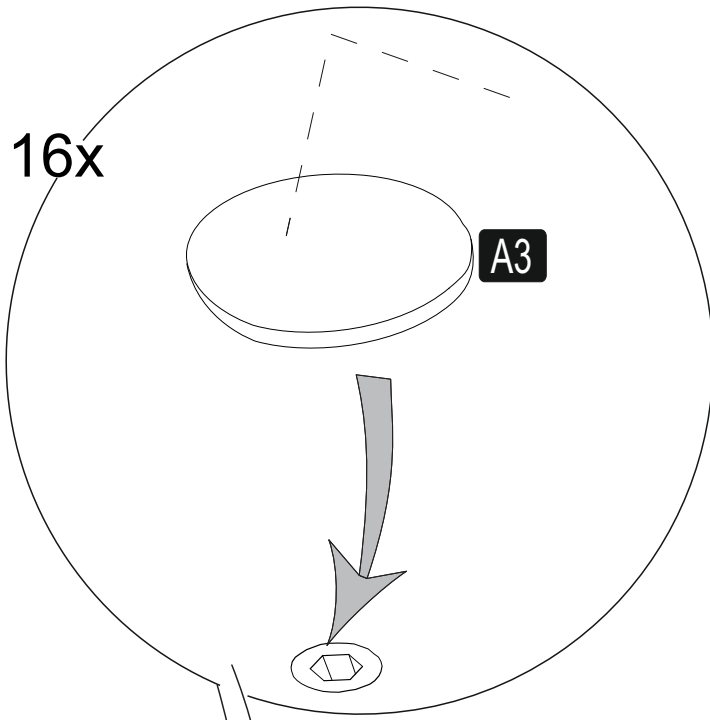
**A2**



**A2**

**8x**





H

