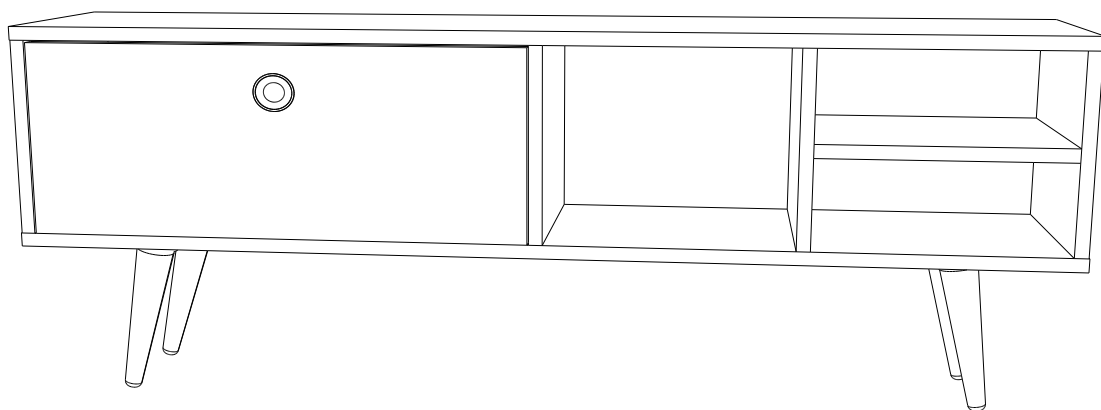
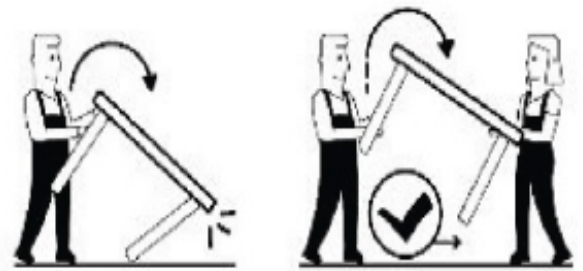
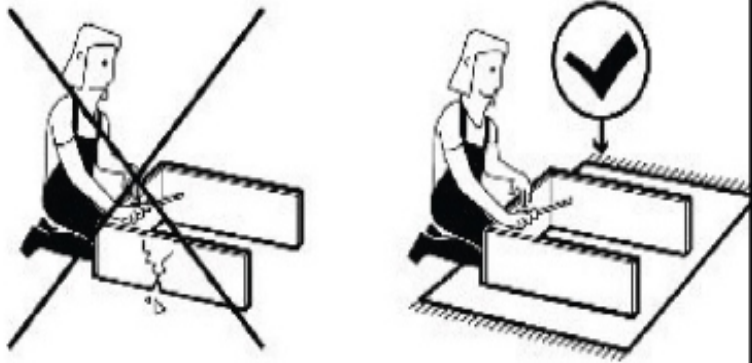
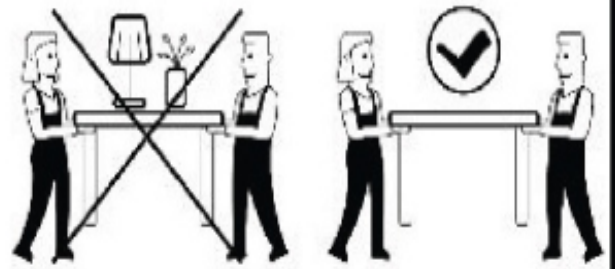
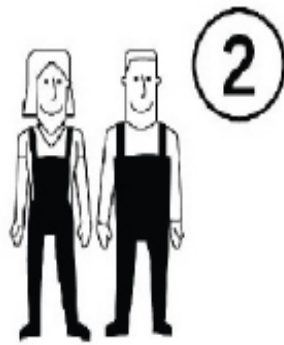


# ARMAN

## TV STAND

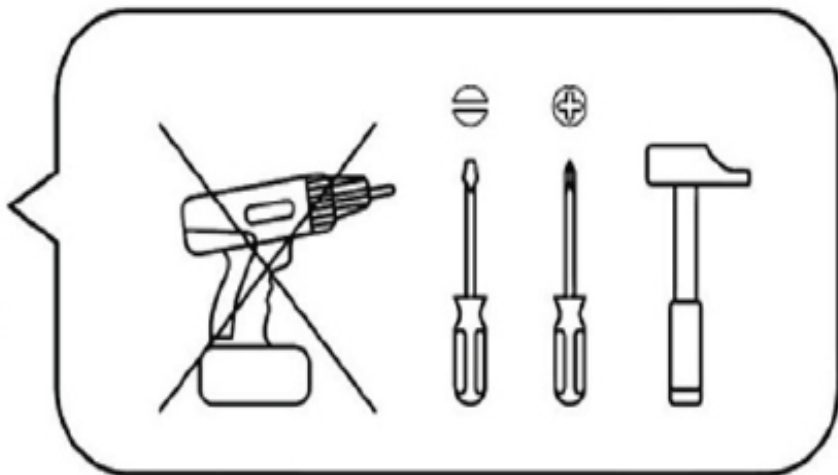
---



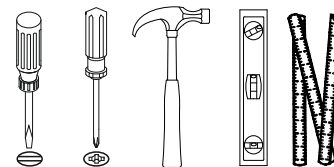


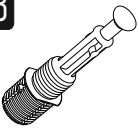
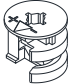
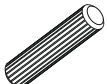
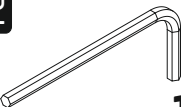
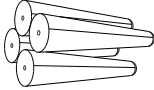

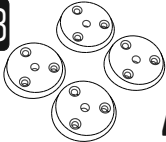
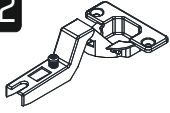
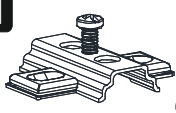



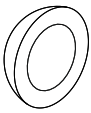

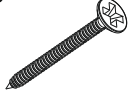
0286 316 80 80

info@lagomood.com

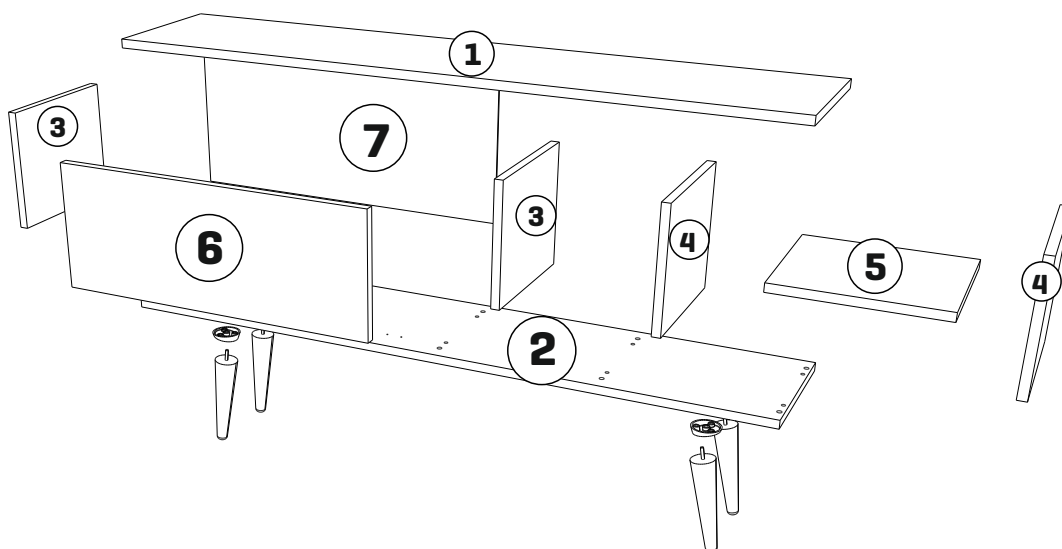


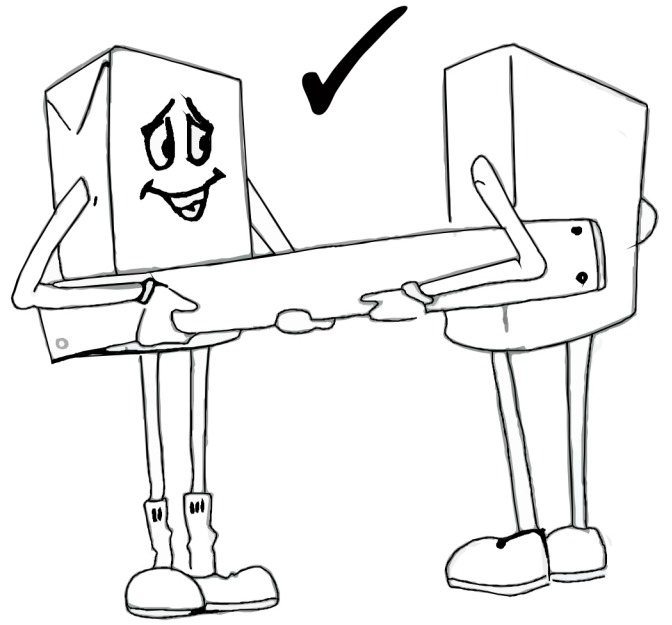
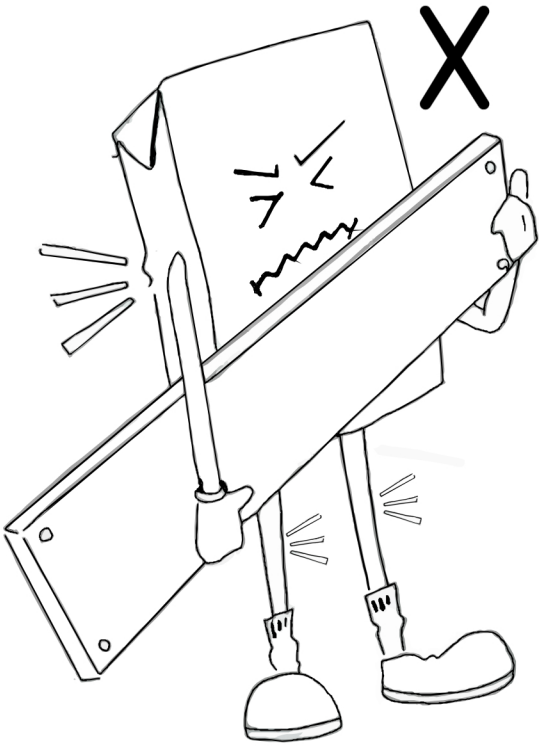
# ACCESSORY LIST



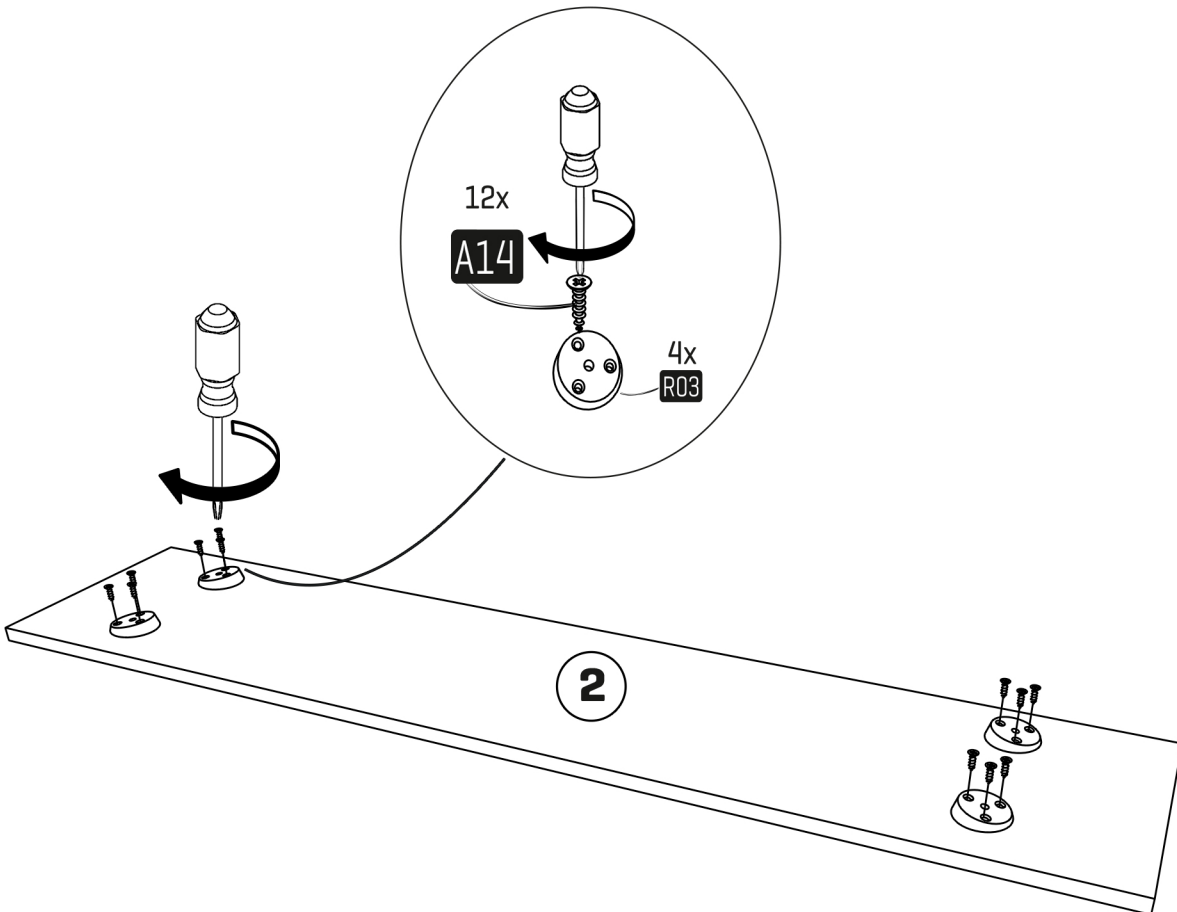
<b>A23</b> Minifix M8  <b>20x</b>	<b>A22</b> Minifix G18  <b>20x</b>	<b>A04</b> KVLV  <b>20x</b>	<b>A12</b> ALYN  4 SW <b>1x</b>	<b>P01</b>  100x50 <b>4x</b>
<b>A13</b> 3,5x18  <b>8x</b>	<b>R03</b>  <b>4x</b>	<b>C02</b> SDM  <b>2x</b>	<b>C04</b> MA  <b>2x</b>	<b>A65</b> RP  <b>1x</b>
<b>A06</b> 18 mm  R1 <b>20x</b>	<b>M06</b> KLPVD  4x22 mm <b>1x</b>	<b>M04</b> MKLP  <b>1x</b>	<b>A48</b> AC  25x1 <b>10x</b>	<b>A14</b> 4x25  <b>12x</b>

## GENERAL VIEW



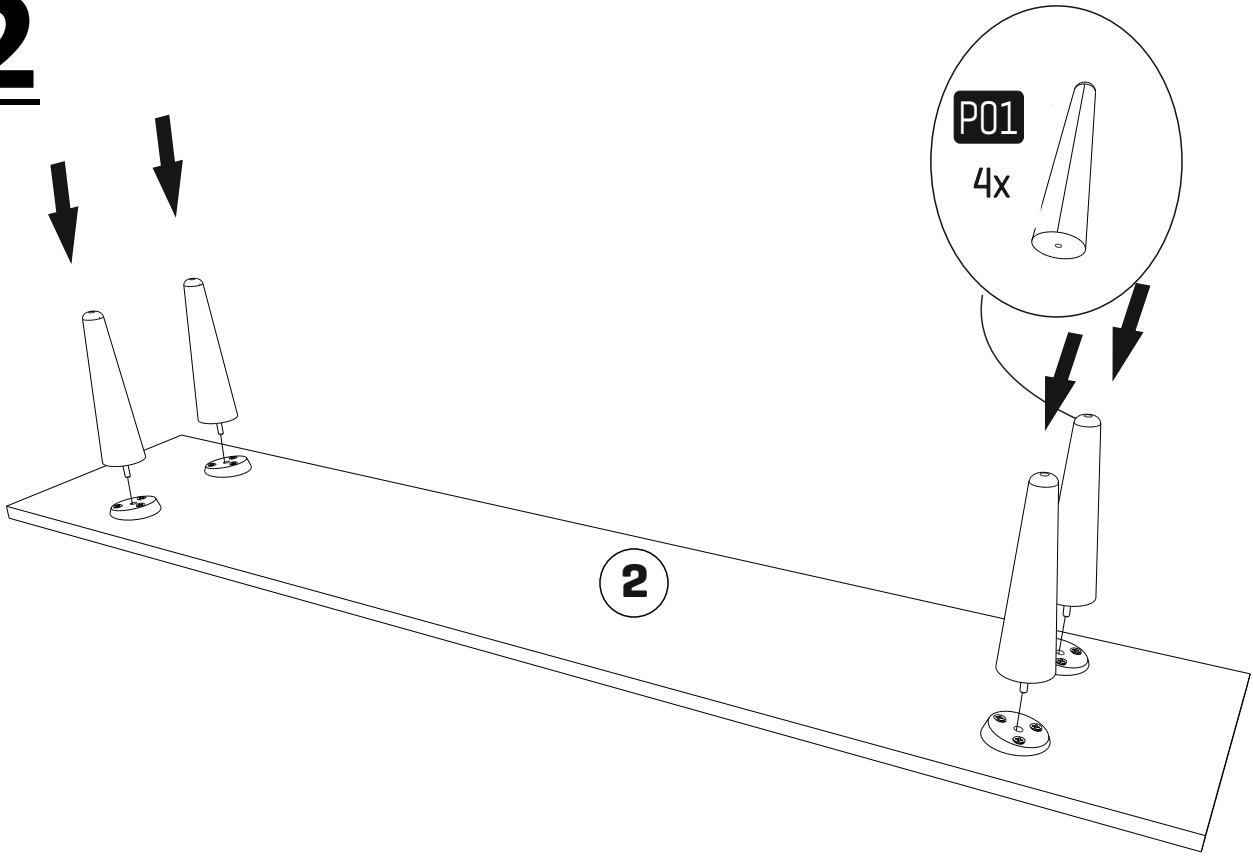


**1**

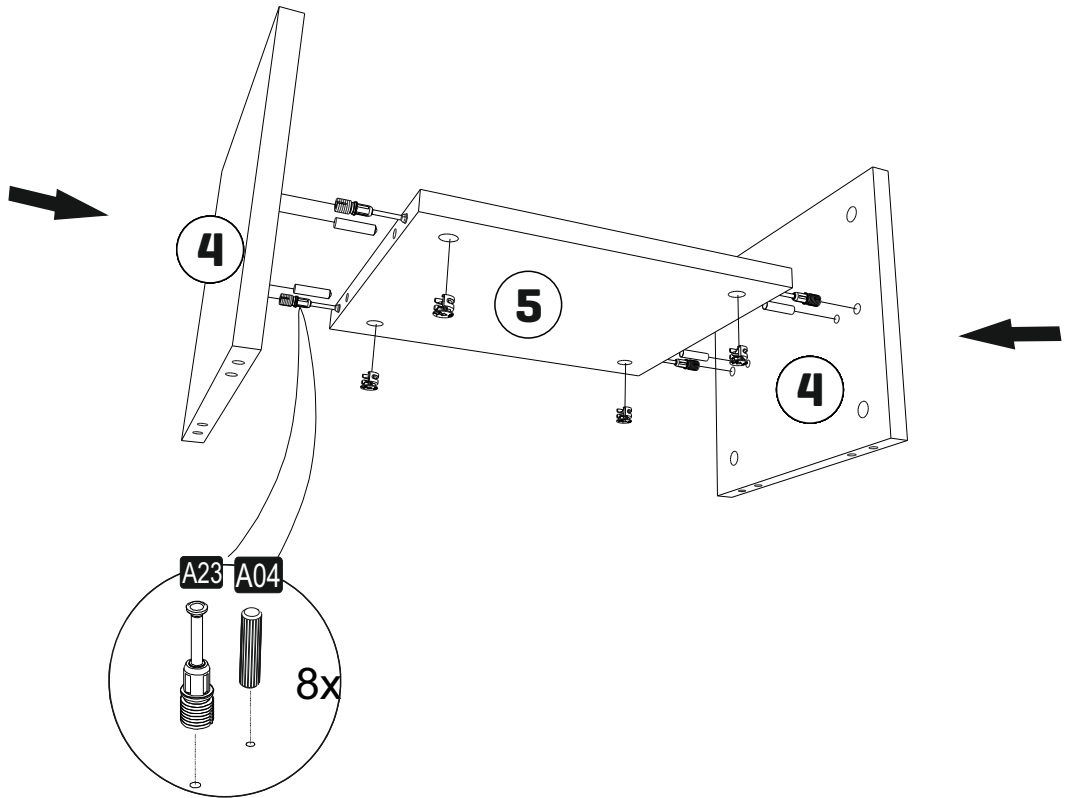


**3**

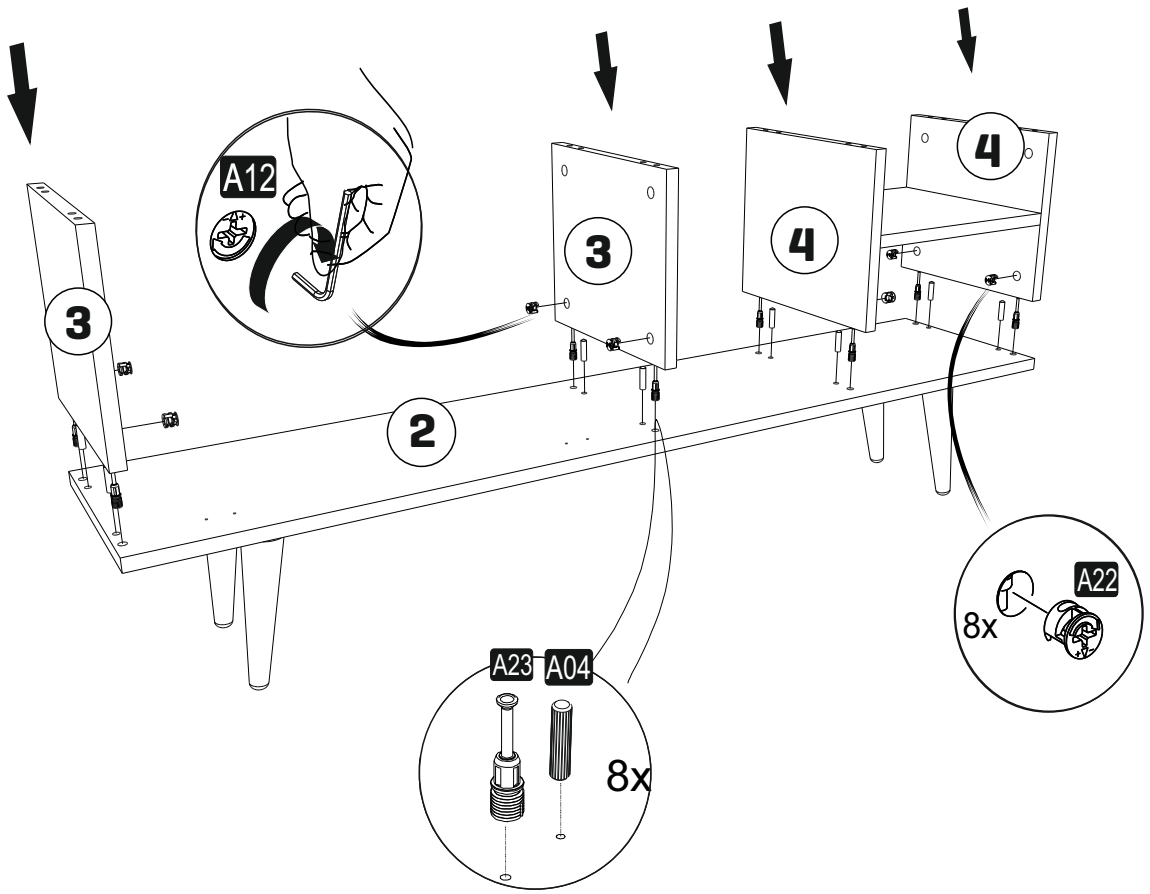
**2**



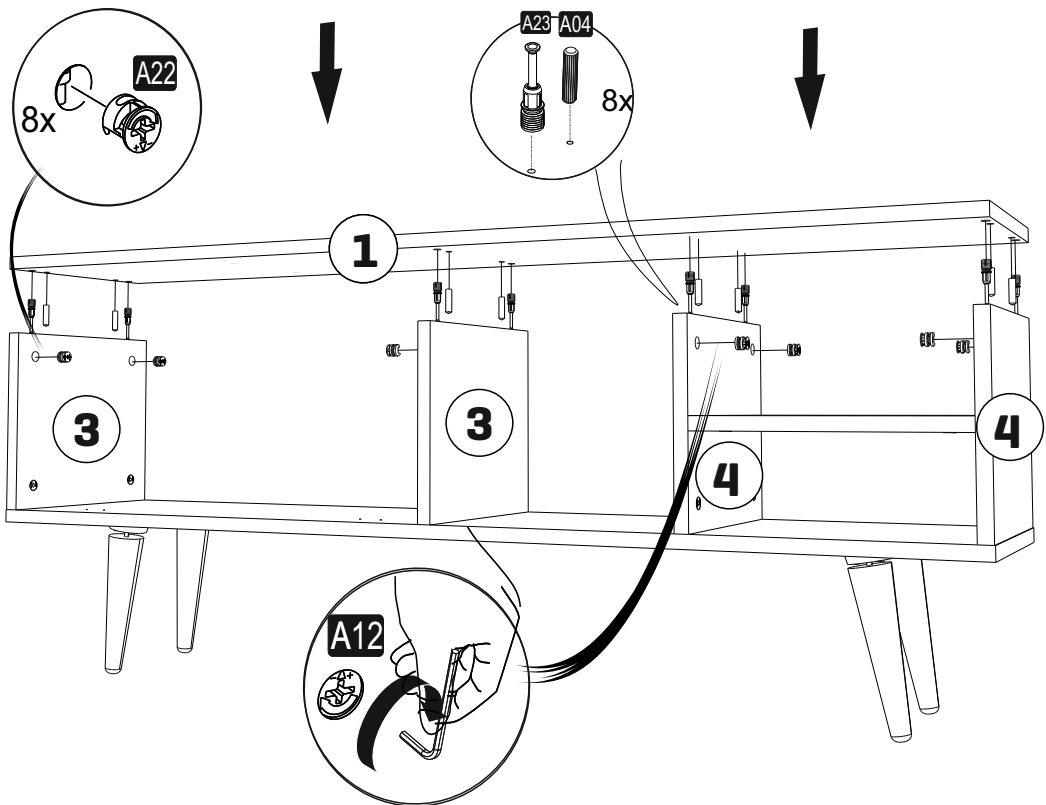
**3**



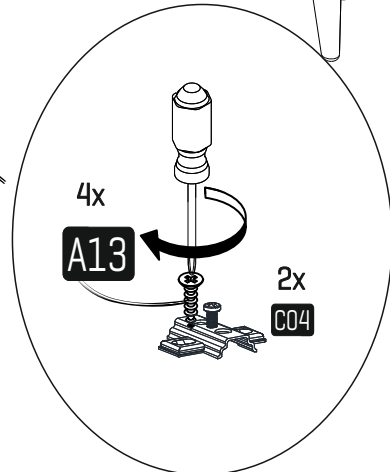
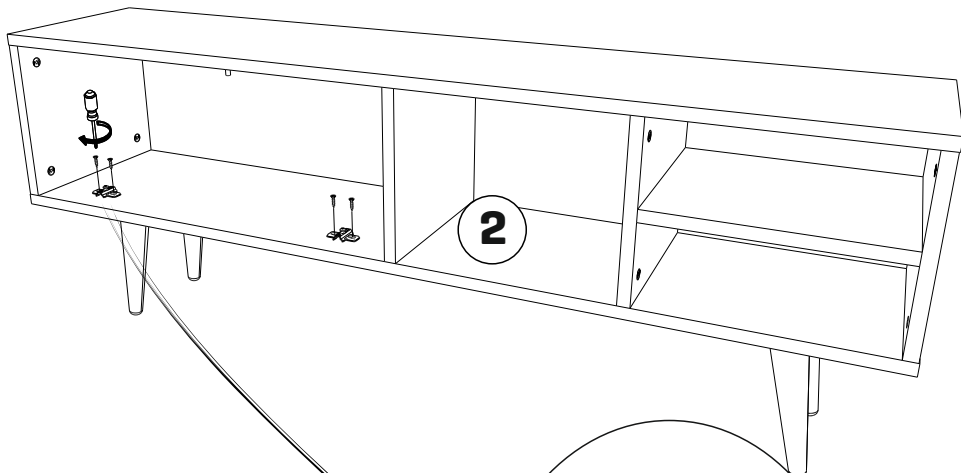
**4**



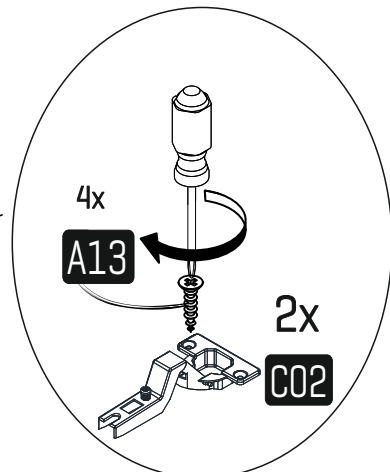
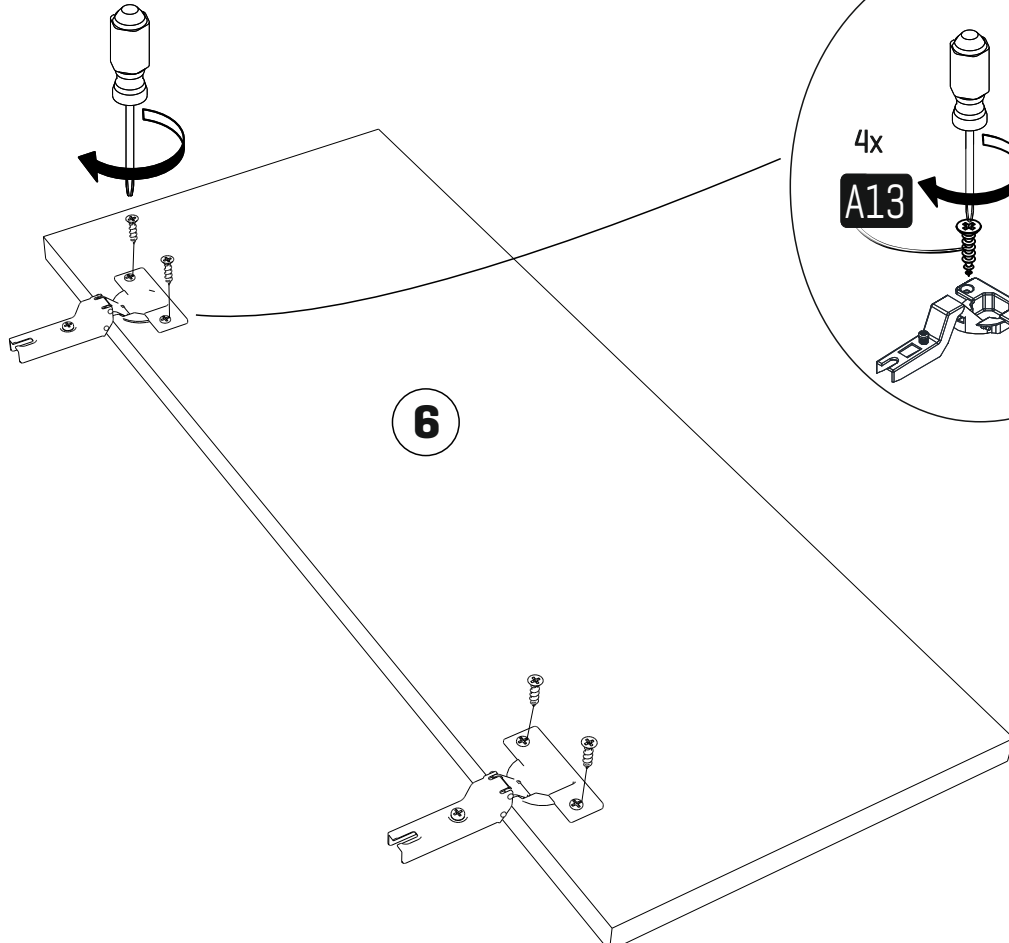
**5**



**8**

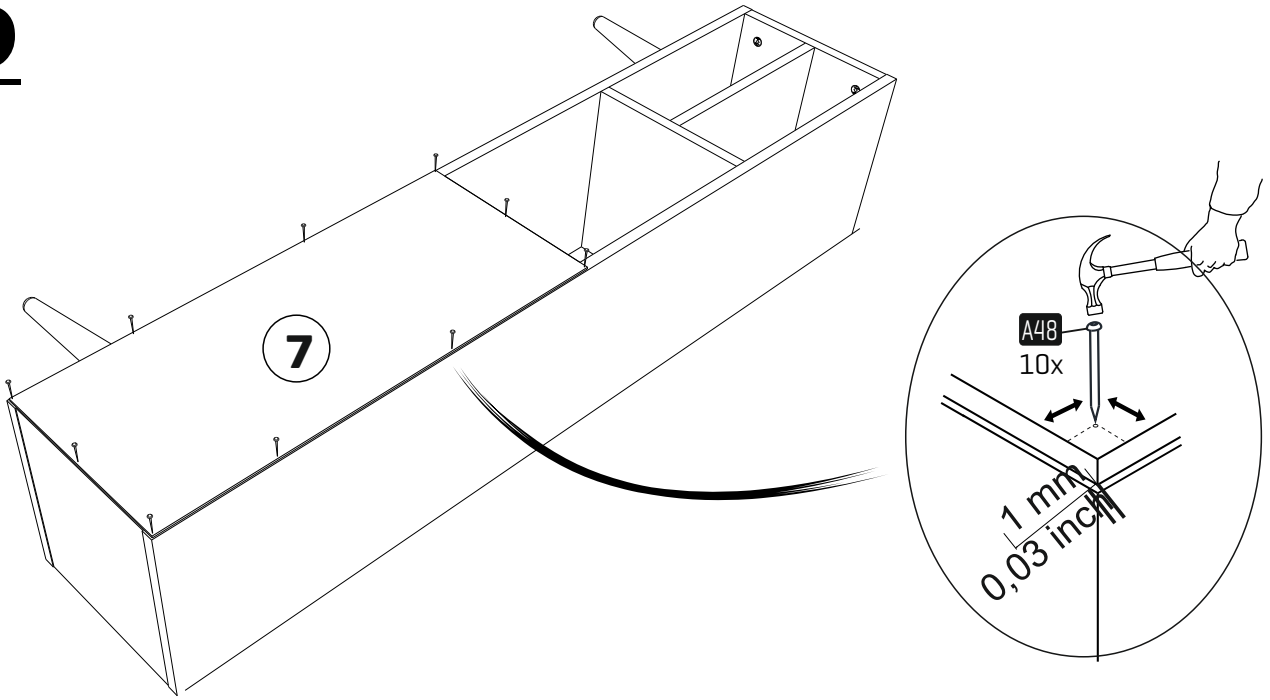


**9**

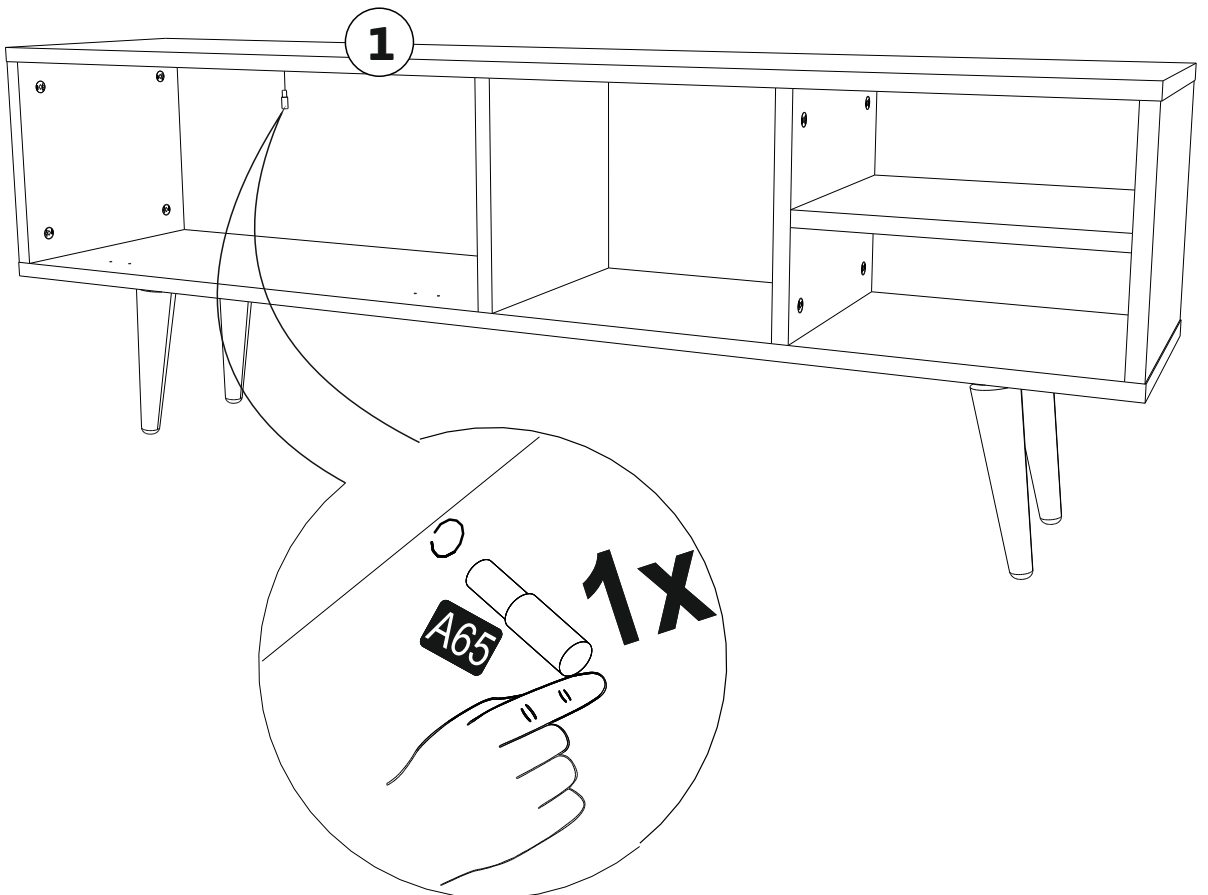


**7**

**6**



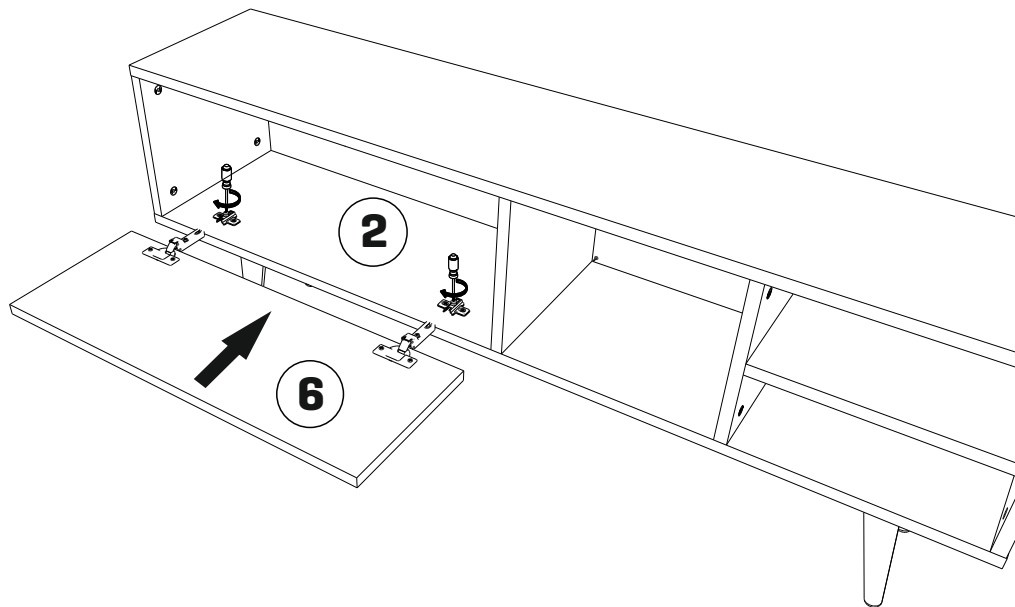
**7**



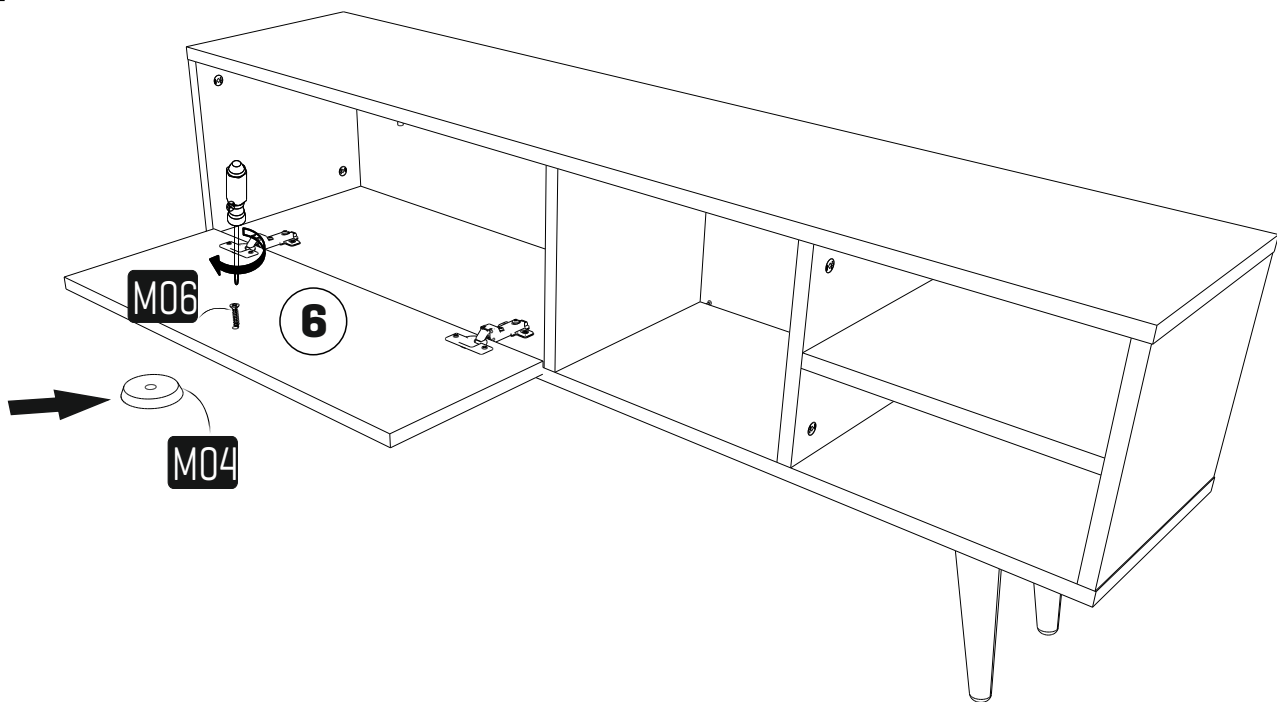
**6**



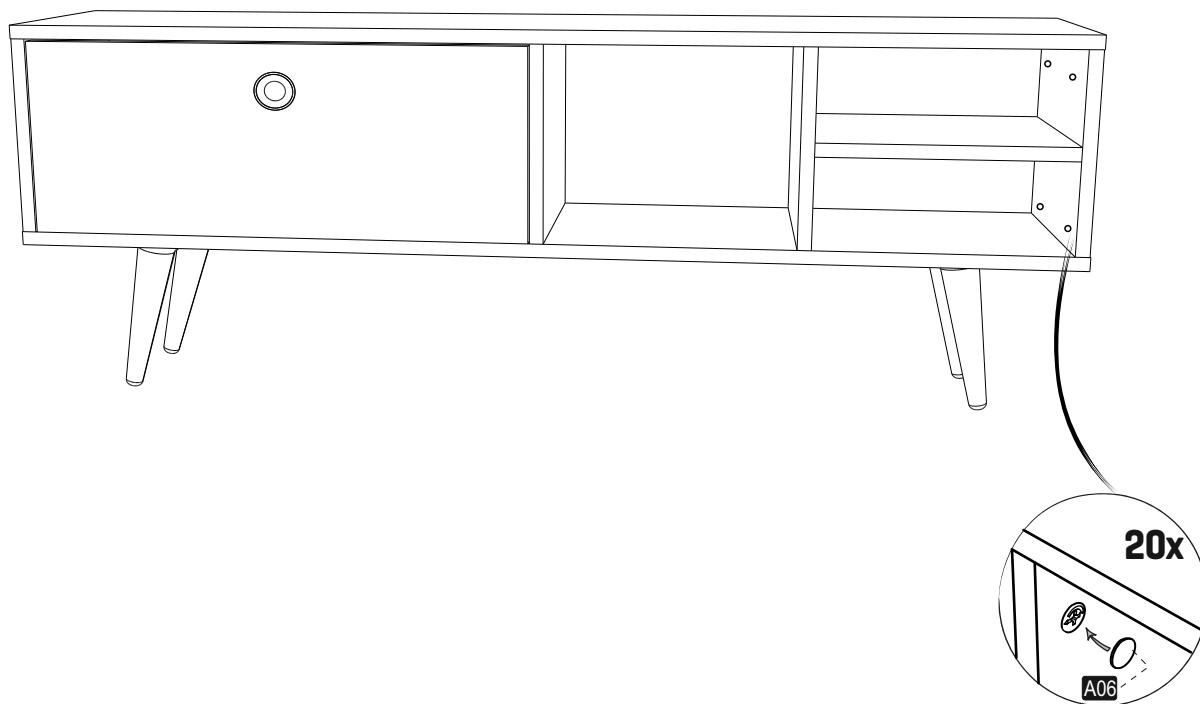
# 10



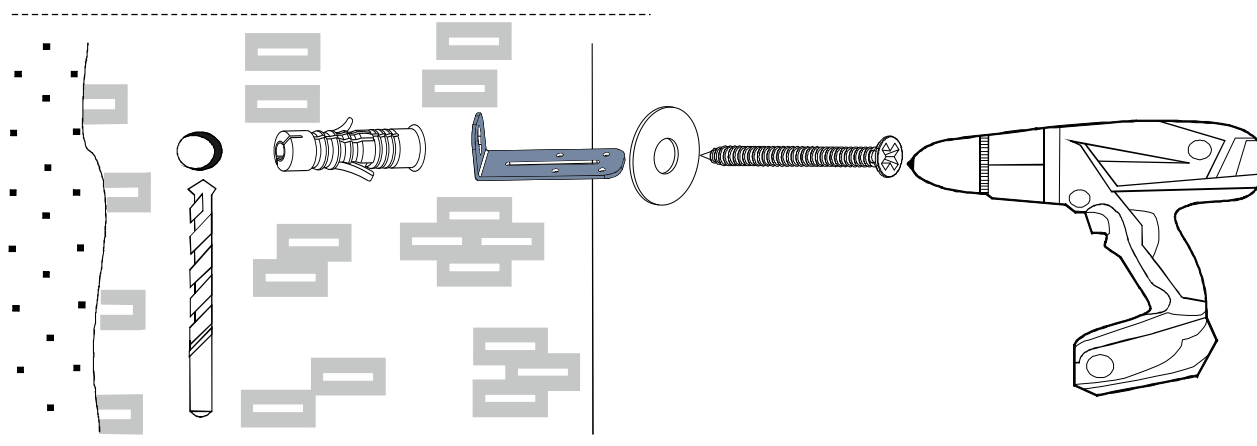
# 11



# 12



## PLEASE NOTE THAT



Check the wall type before installation of dowel. Wall is drilled with equal diameter of dowel.  
[08mm] Universal Plastic Dowel provides the general purpose usage.  
Requires two stages assembly. Dowel can be different type according to the wall type.  
[E.g. Plaster sheet partition wall, gas concrete, hollow brick wall].  
If required, use appropriate dowels and screws.



# **WARNING**

## **CHOKING HAZARD**

- This unit contains small parts which could be a choking hazard for small children. Children should be under adult supervision at all times.
- Do not overload the unit. Each shelf has a recommended capacity of 13 pounds, and the total weight on the unit should not exceed 39 pounds for wall shelves.
- Do not climb, step, or stand on the unit.
- Do not mount or attach items to the front, rear, or sides of the unit. This can cause the unit to become unbalanced and fall.
- Do not stack units.
- All units must be secured individually to wall studs using hardware provided. If wall studs are not accessible, consult your local hardware store for appropriate mounting hardware.
- We recommend you hand-tighten screws. Use care not to overtighten if using power tools. Follow proper safety procedures if using power tools and/or ladders.
- We recommend you protect your work surface during assembly to prevent scratching or damage to tabletops, wood floors, etc.
- Failure to follow the instructions listed here could result in bodily injury or damage to personal belongings. Use caution and follow safety procedures.