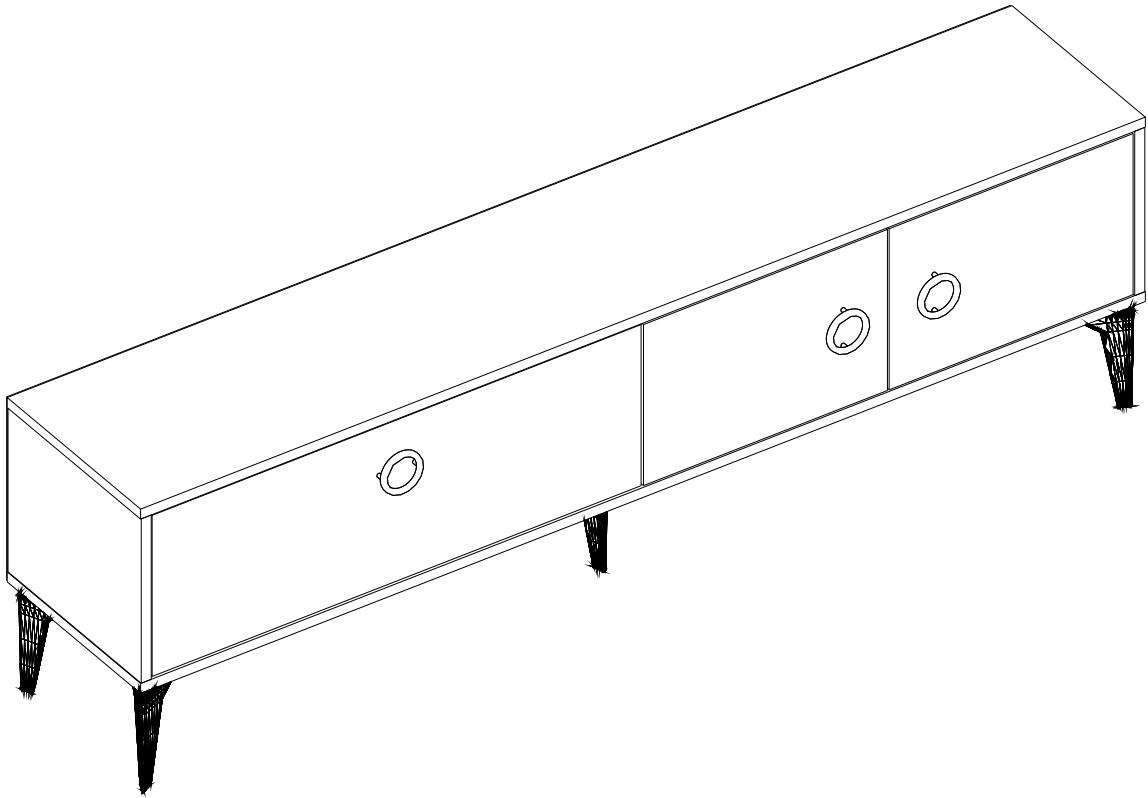
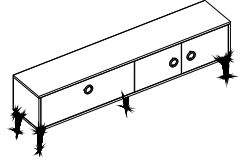


ZUMRUT



Dear Customer,

We design and produce our products for people to love and have fun with them as we do.

The product you bought was subjected to all sorts of tests and control before sending out to you.



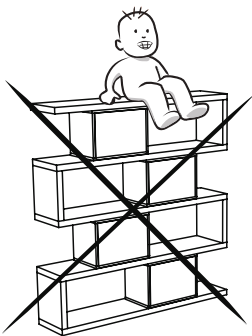
Before start assembling, please check the whole components and accessories according to the lists. If you bought more than one product, to prevent confusion be sure that you completed the first product. Then start the other product's assembling.



Before start assembling, please clean all the components with a damp cloth. Also for usual cleaning, this will be enough.



Although all the products are produced and packed carefully, sometimes happen that some component is damaged during the transportation. In such a case please check the missing or damaged part and do not hesitate to contact us. You can send e-mail to info@inarchdizayn.com or reach us at 0541 353 1700

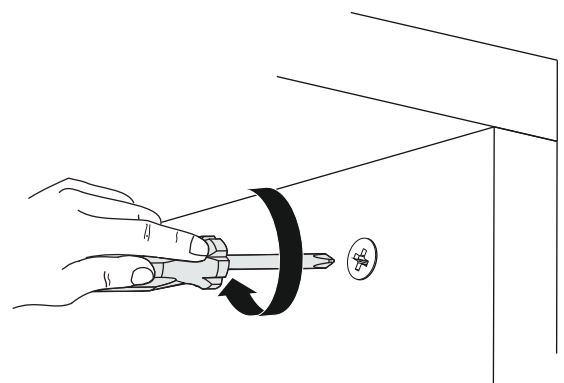
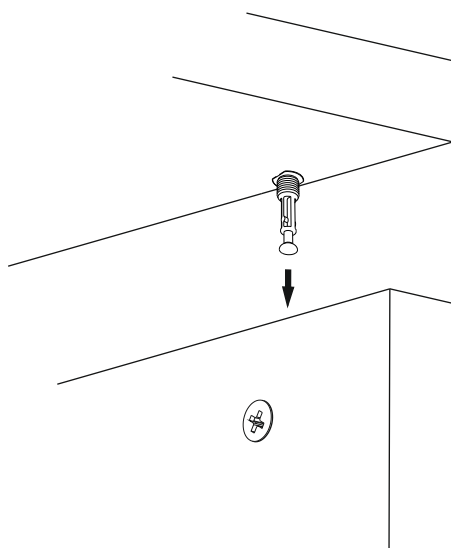
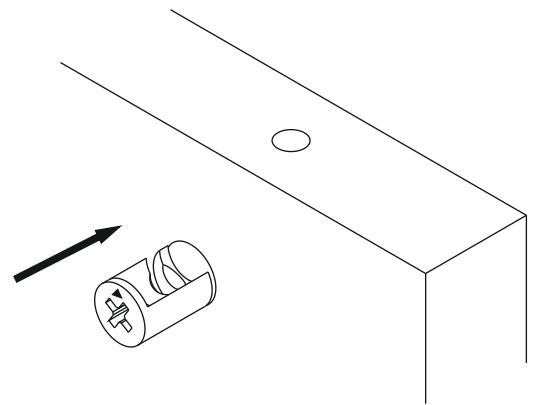
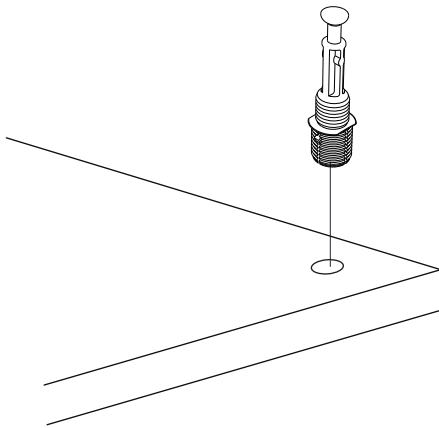
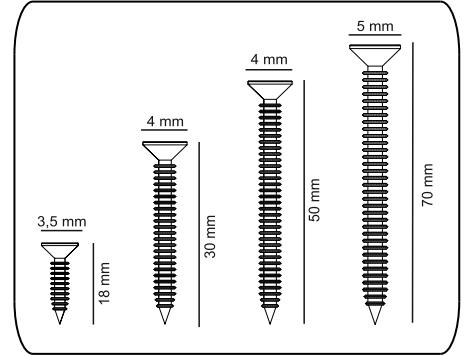
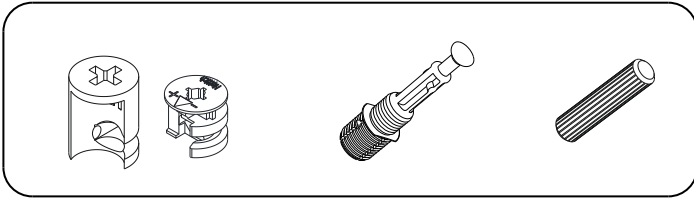


Do not use your furniture for out of purposes. If you would like to use it, please contact us for further questions.


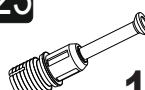

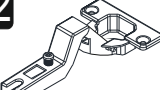
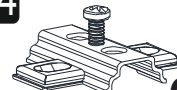



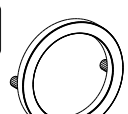



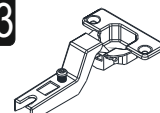
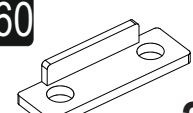
Do not directly contact your furniture with excessive heat, cold and humidity because the product can be affected..

ATTENTION !!

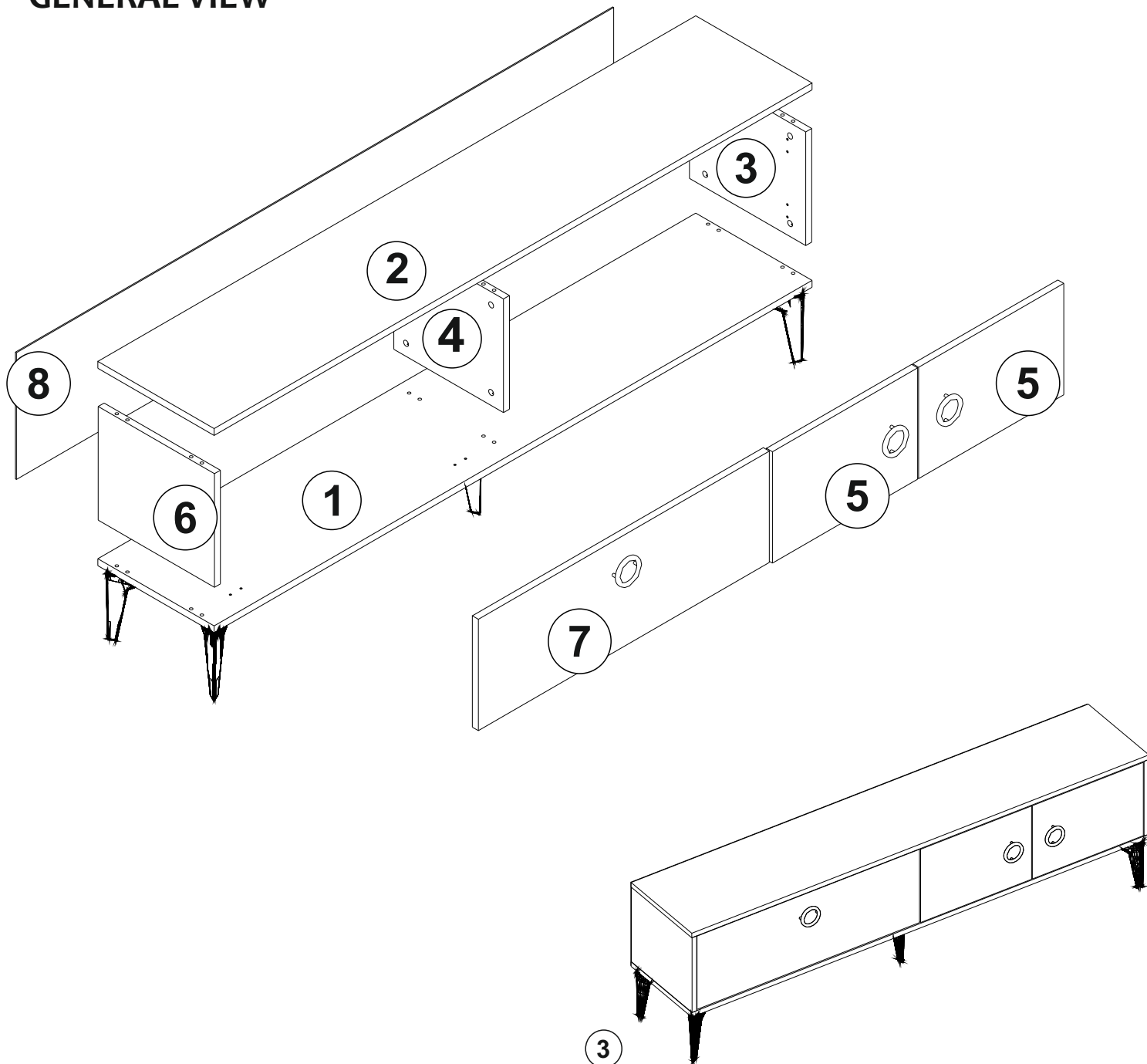
Minifix is the main connection material used in products. Before starting assembly, please check the drawings below.



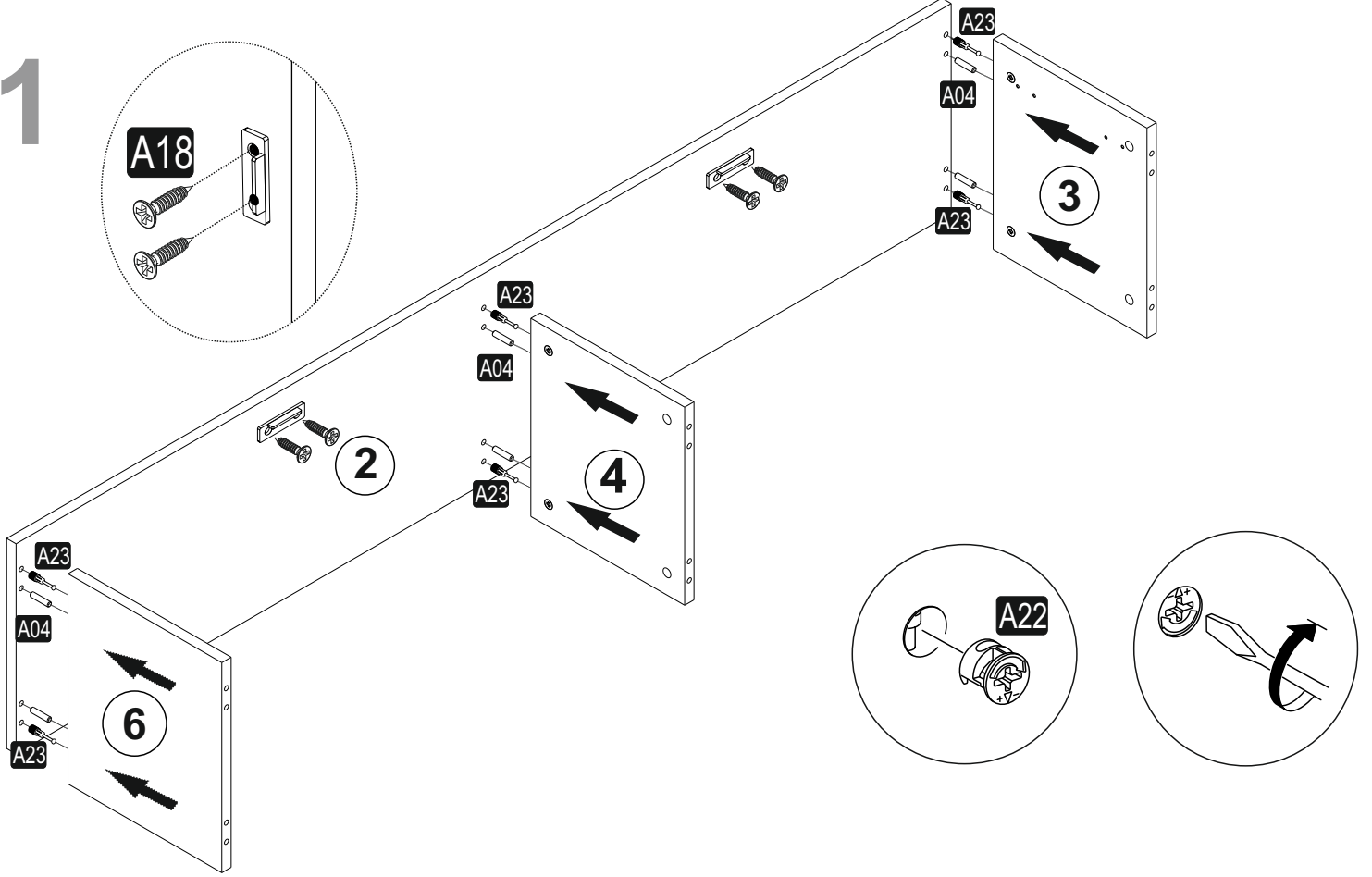
ACCESSORY LIST

A02 Minifix  12x	A23 Minifix Mil  12x	A04 Dowel  12x	C02 SDM  4x	C04 MA  6x
A18 3,5x18  48x	A48 AC  20x	V54  5x	K24 64mm  1001 GLD KLP 3x	A49 KLPVD  22mm 6x
	A06 18 mm  RNK1 8x	A06 18 mm  RNK2 4x	C03 YDM  2x	A60 BYZ  2x

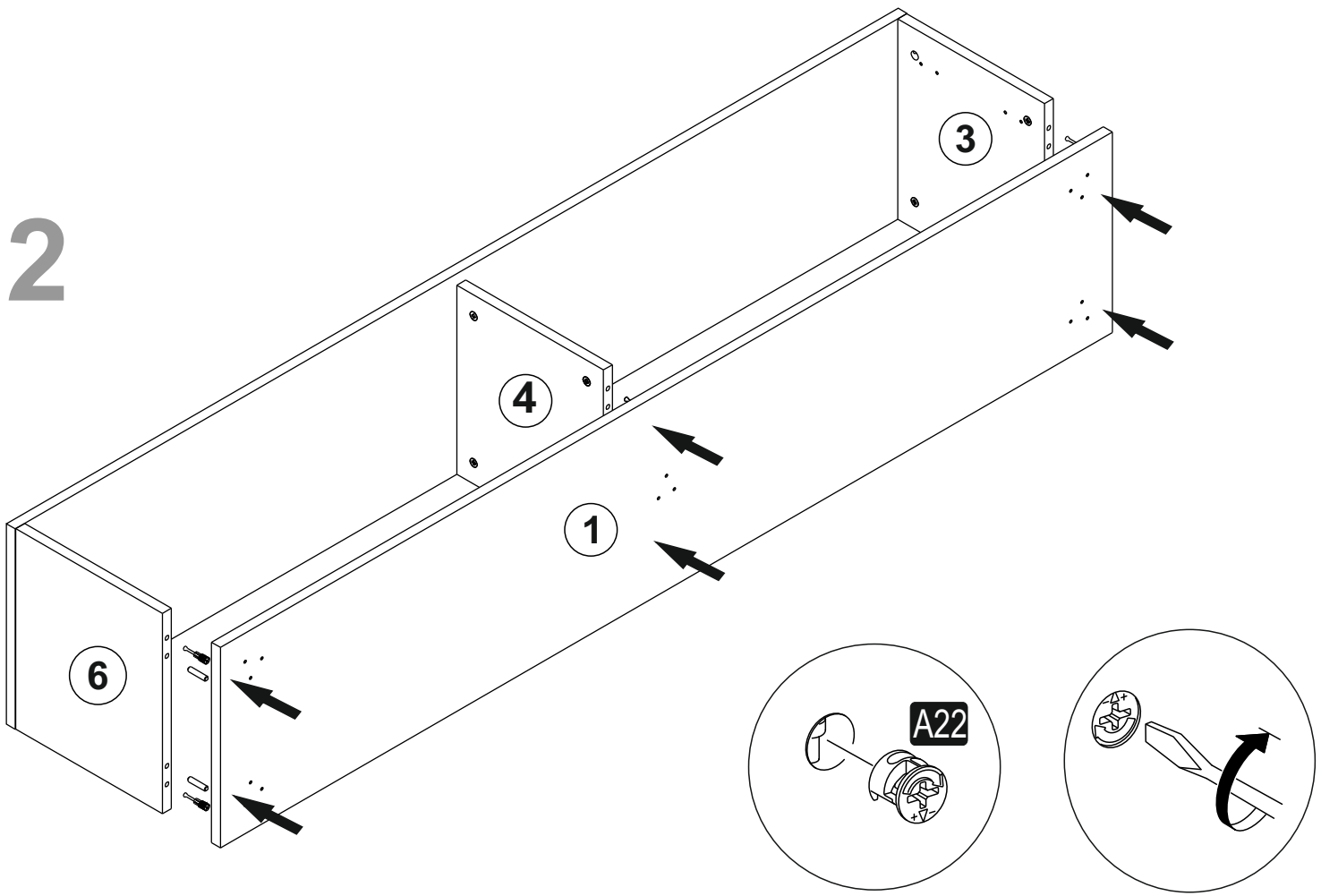
GENERAL VIEW



1

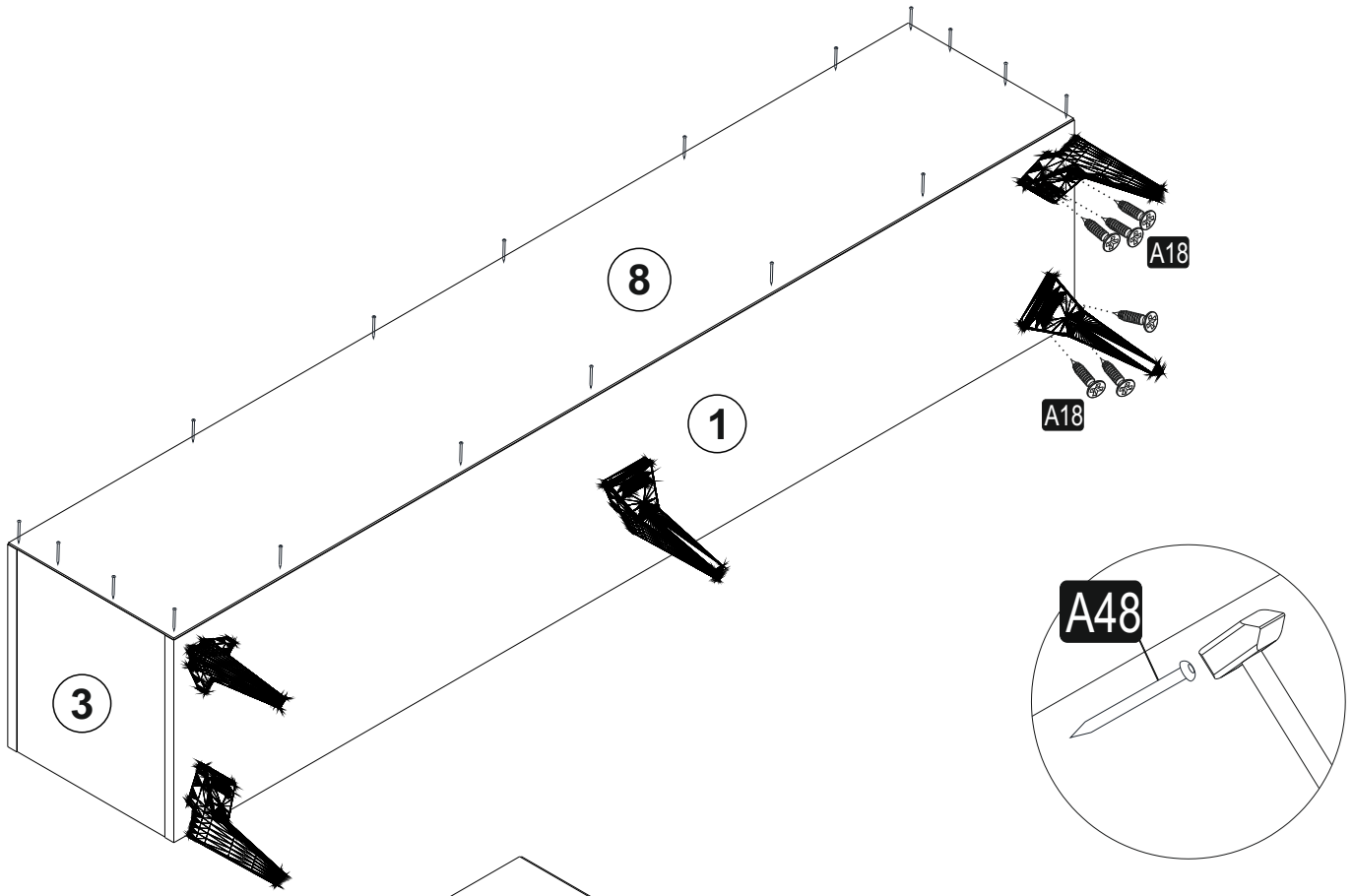


2

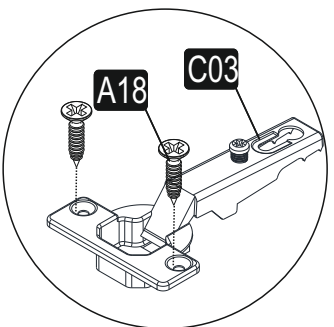
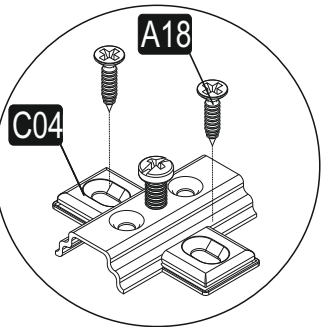
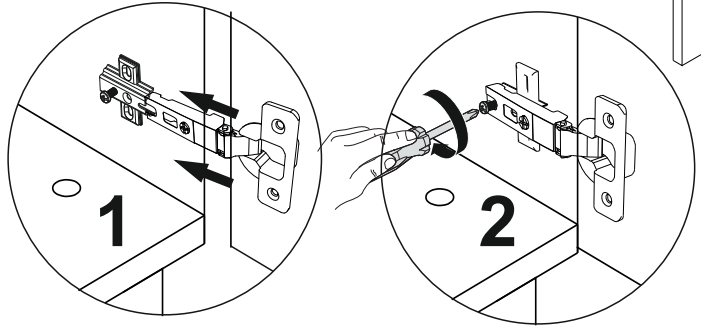
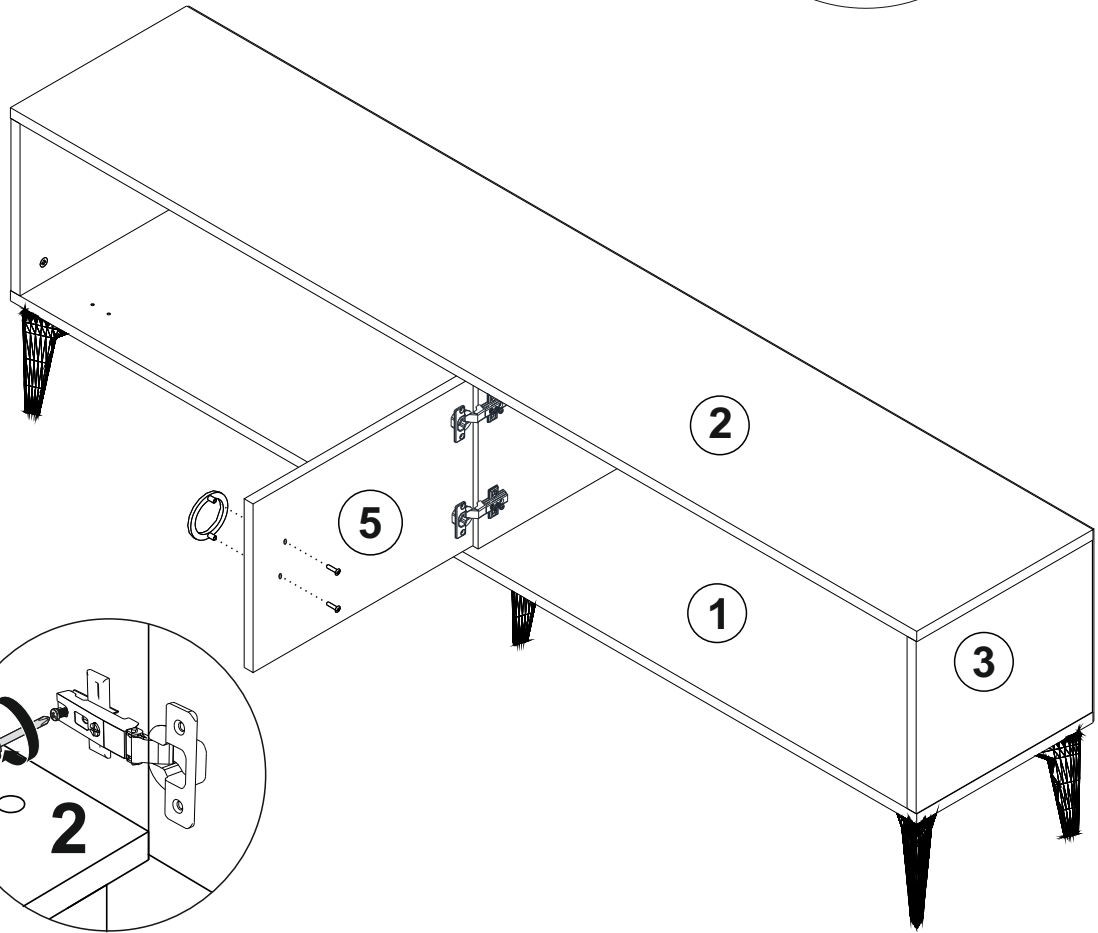


4

3

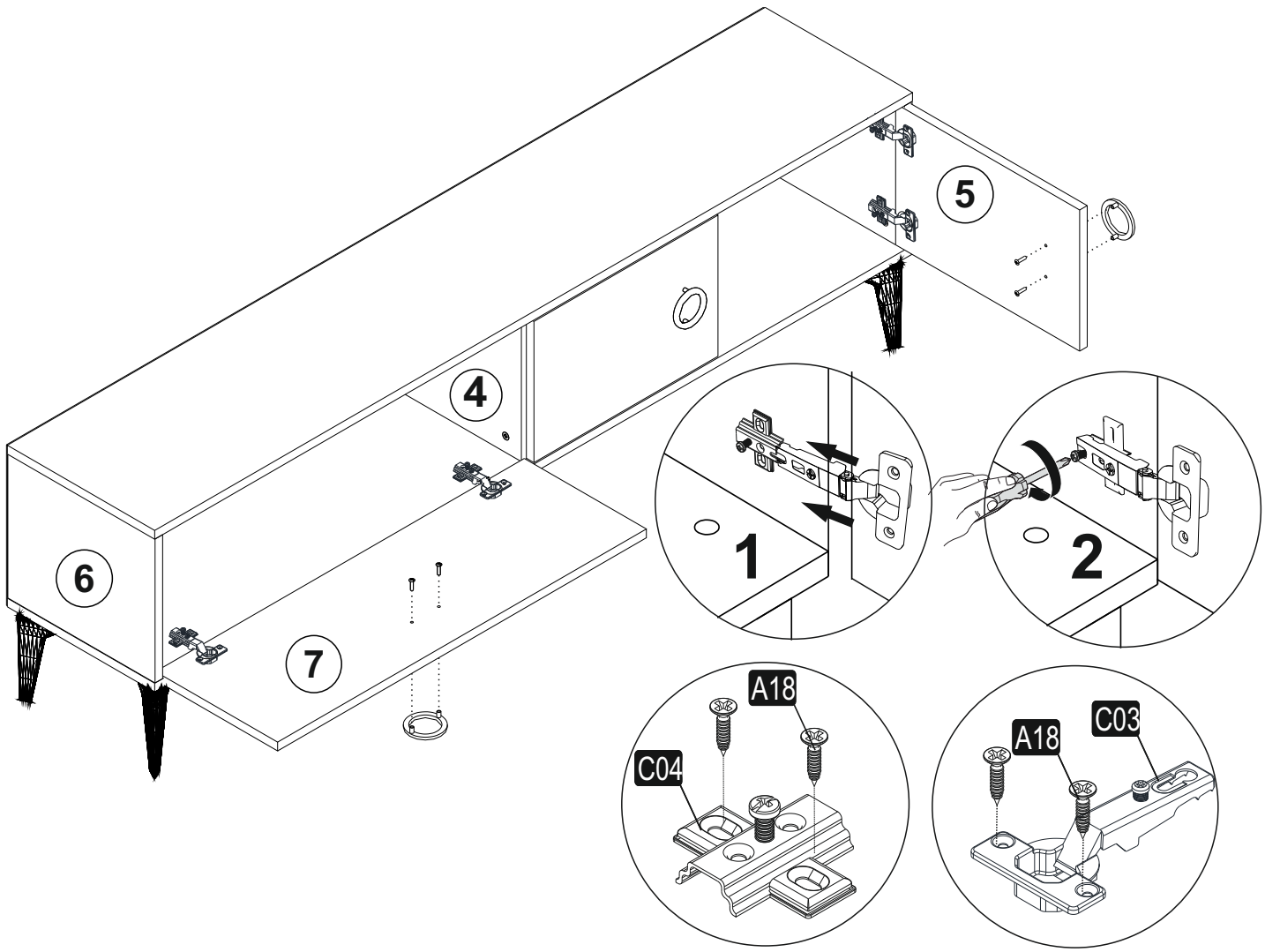


4

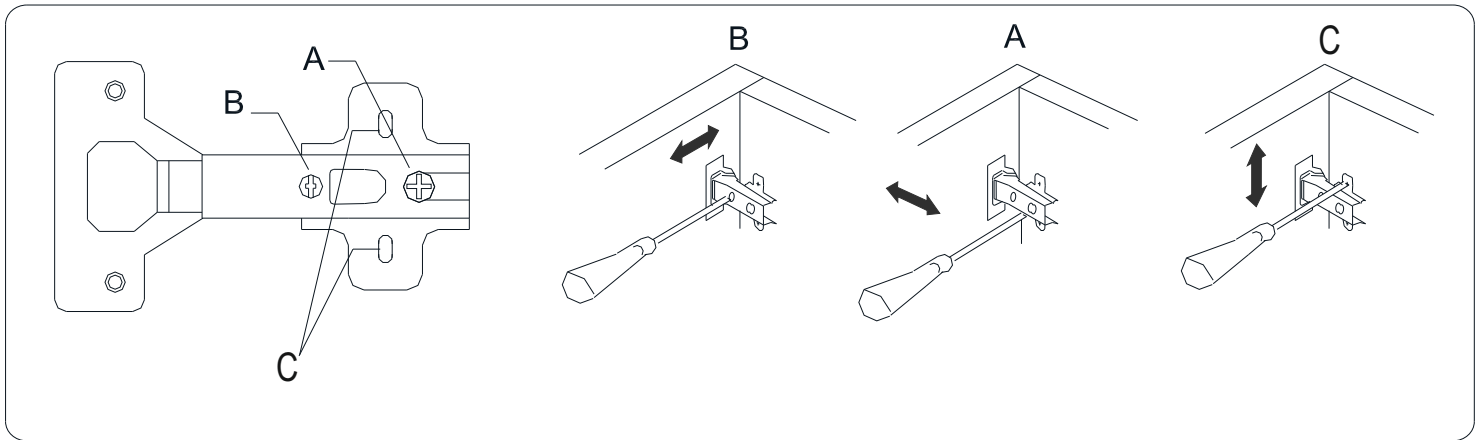


5

5



6



5