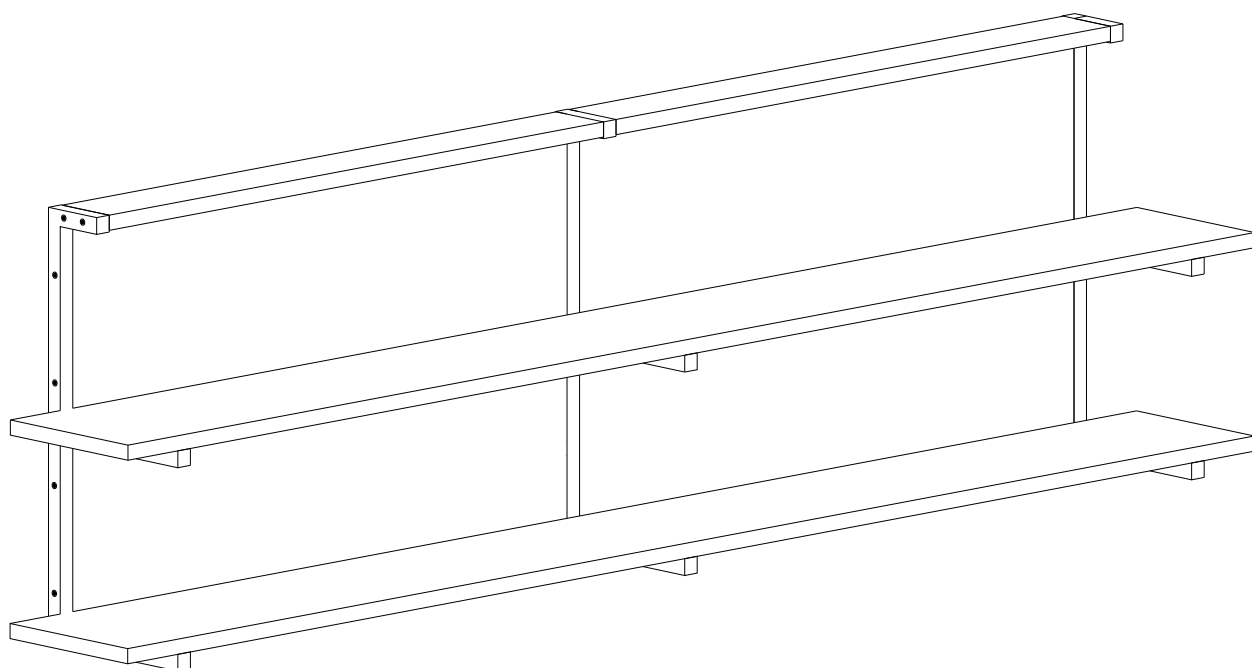
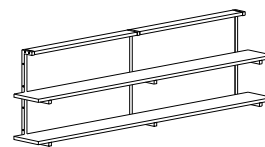


MELA



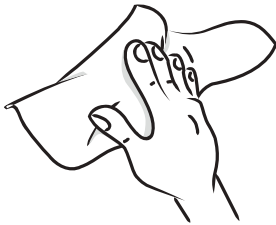
Dear Customer,

We design and produce our products for people to love and have fun with them as we do.

The product you bought was subjected to all sorts of tests and control before sending out to you.



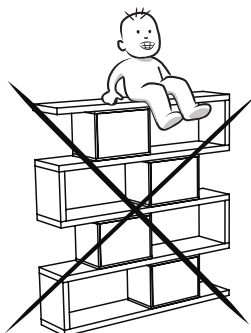
Before start assembling, please check the whole components and accessories according to the lists. If you bought more than one product, to prevent confusion be sure that you completed the first product. Then start the other product's assembling.



Before start assembling, please clean all the components with a damp cloth. Also for usual cleaning, this will be enough.



Although all the products are produced and packed carefully, sometimes happen that some component is damaged during the transportation. In such a case please check the missing or damaged part and do not hesitate to contact us. You can send e-mail to _____ or reach us at _____

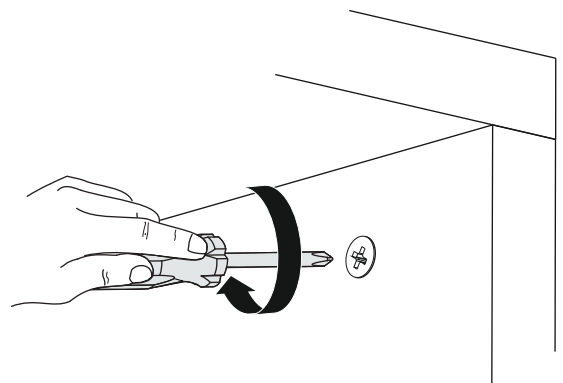
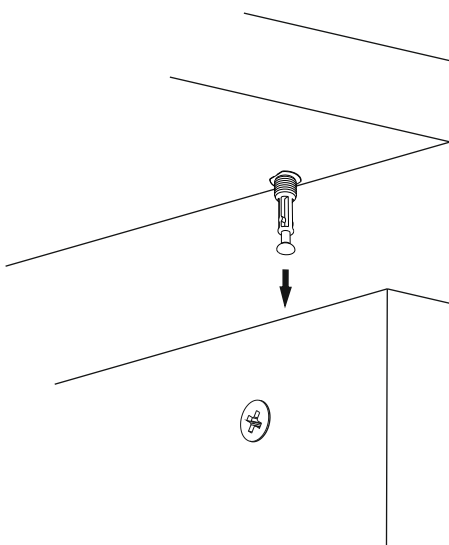
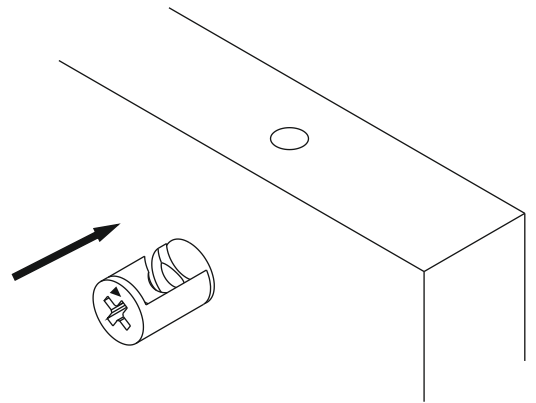
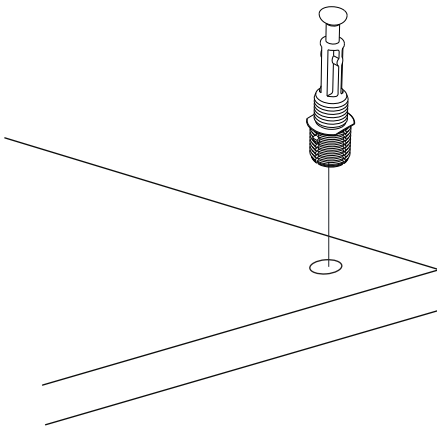
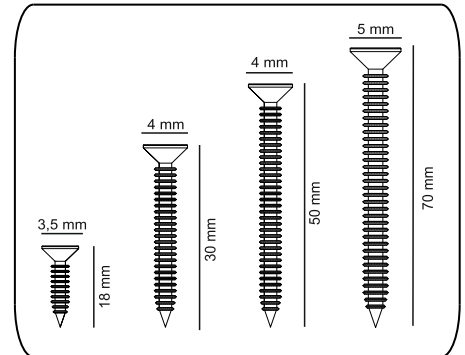
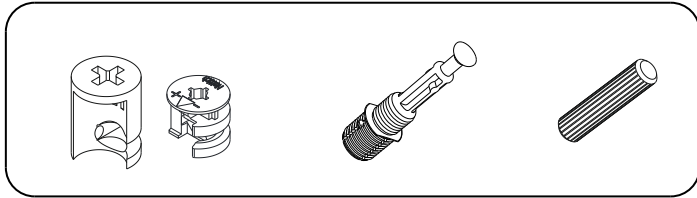


Do not use your furniture for out of purposes. If you would like to use it, please contact us for further questions.

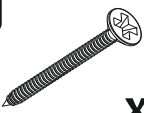




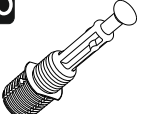
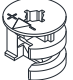
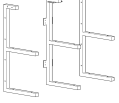
Do not directly contact your furniture with excessive heat, cold and humidity because the product can be affected..

ATTENTION !!

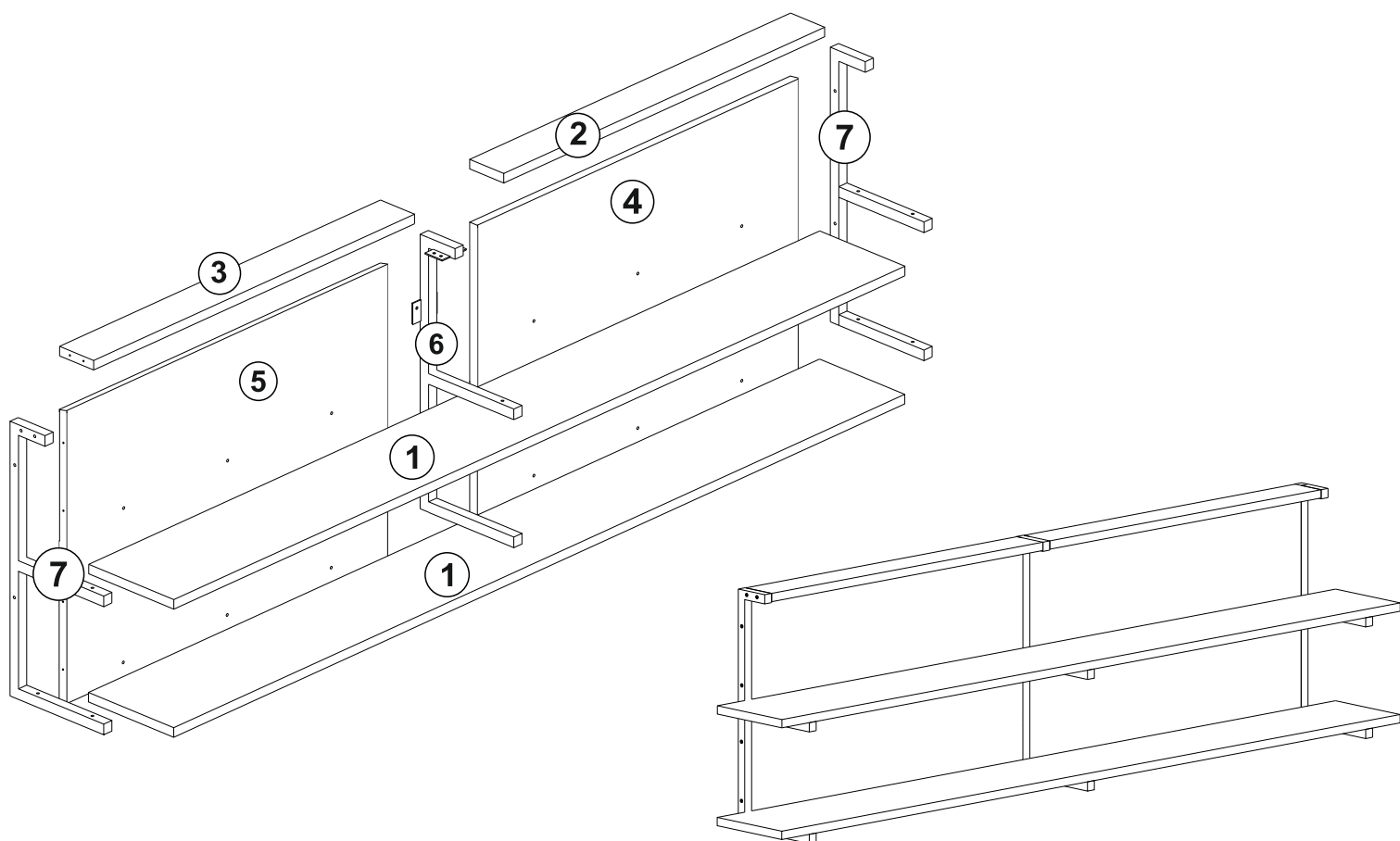
Minifix is the main connection material used in products. Before starting assembly, please check the drawings below.



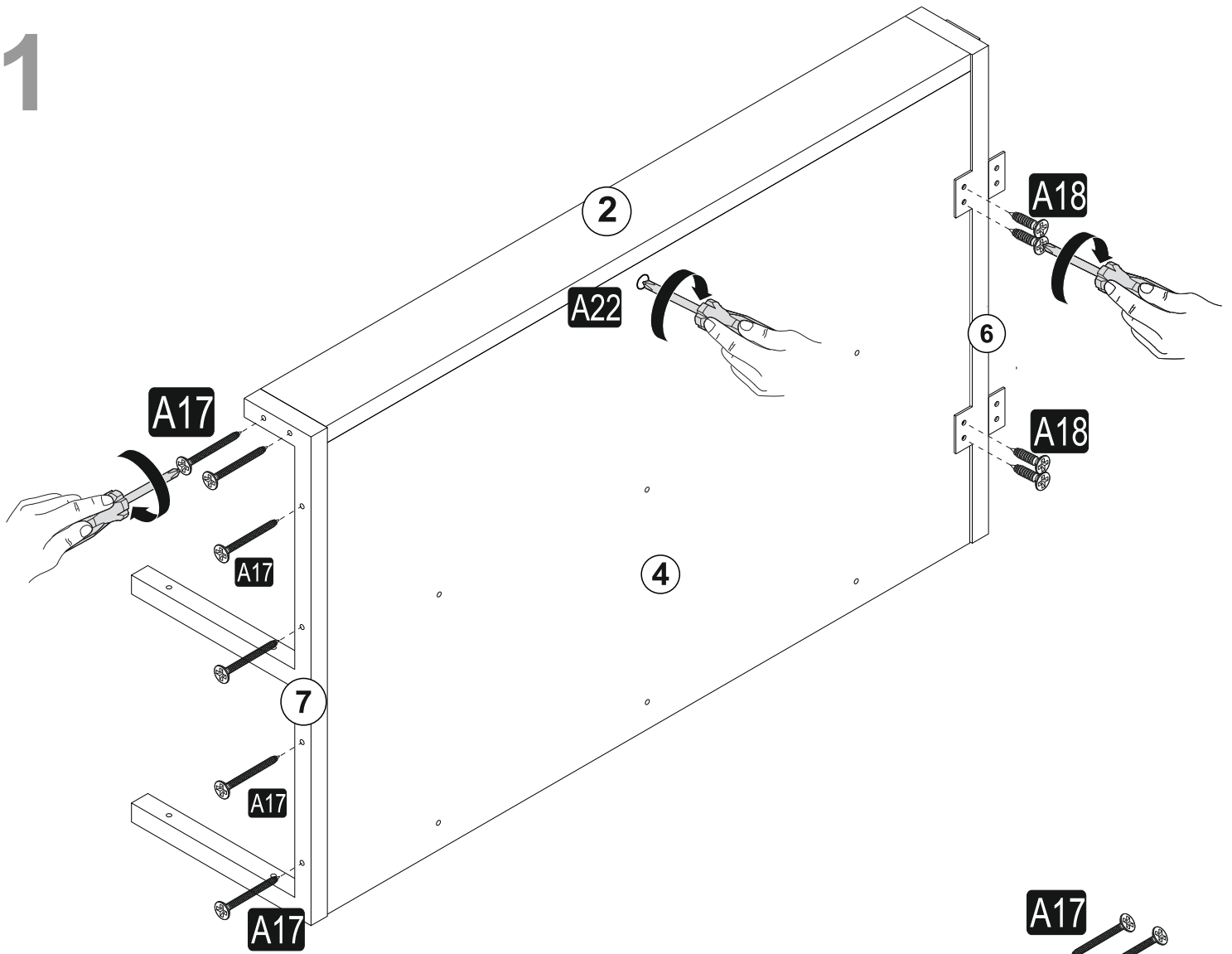
ACCESSORY LIST

A17  4x50 X24	A44  4x35 X12	A18  3,5x18 X12	A10  14mm rnk1 X12	A06  18 mm rnk1 X2
A23  Minifix M8 X2	A22  Minifix G18 X2	018  DA X1		

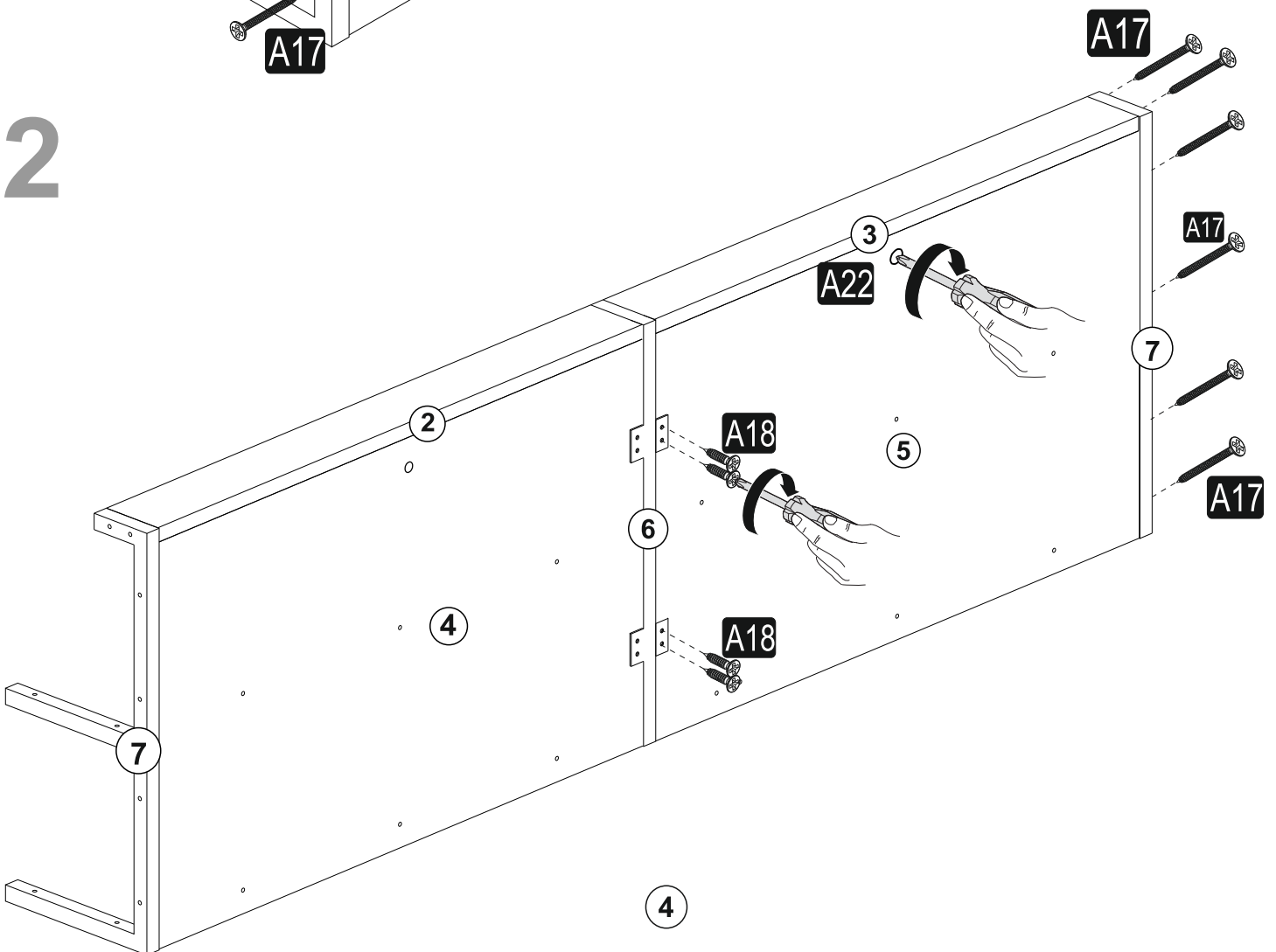
GENERAL VIEW



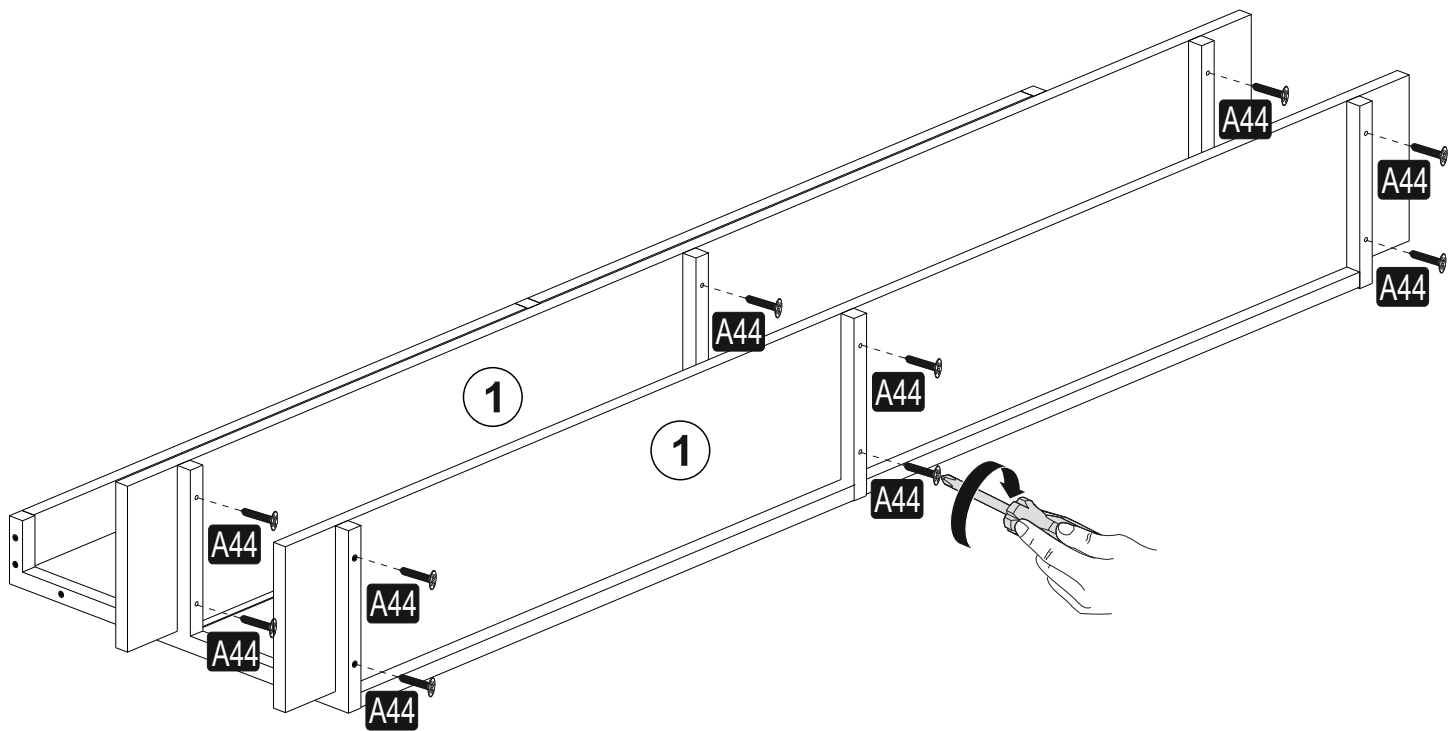
1



2



3



4

