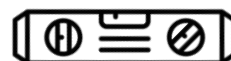
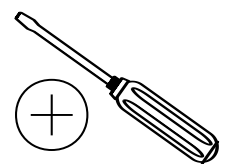
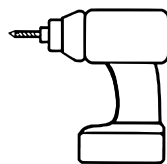
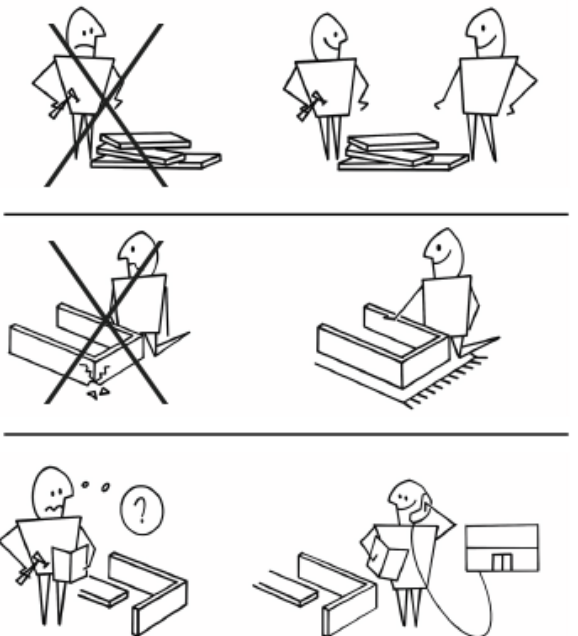
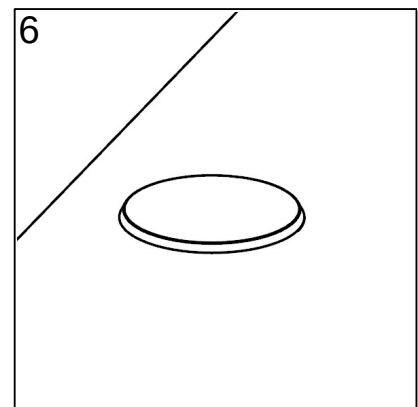
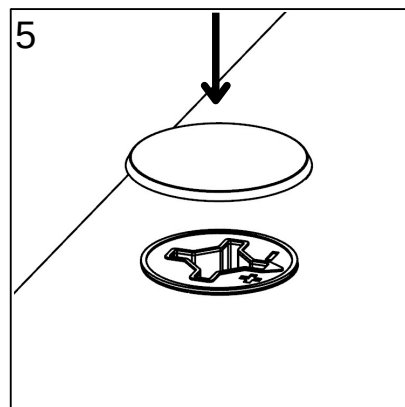
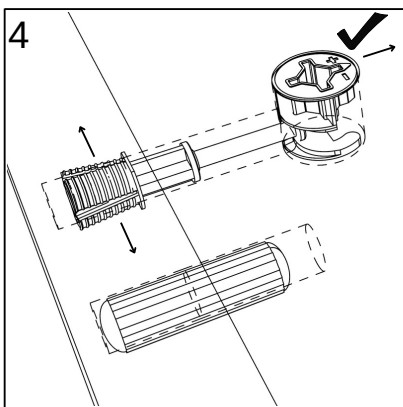
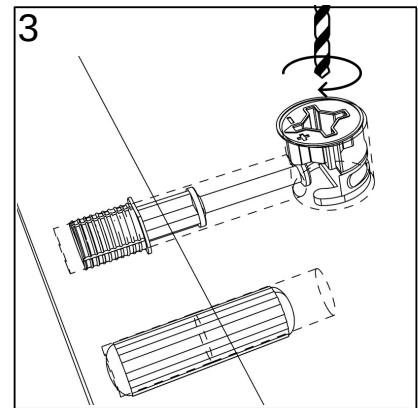
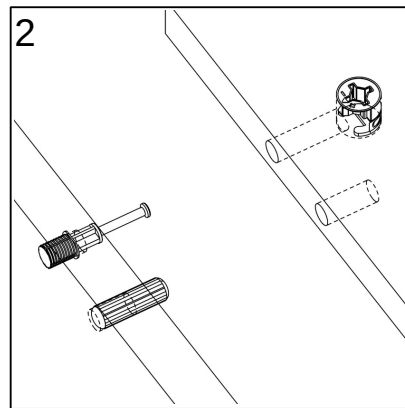
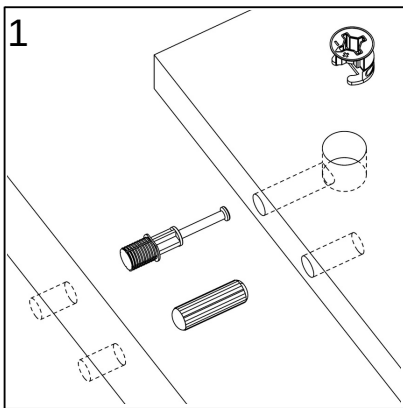
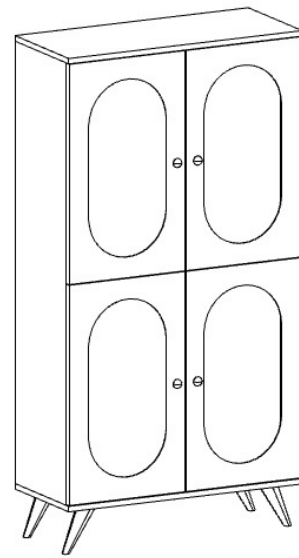
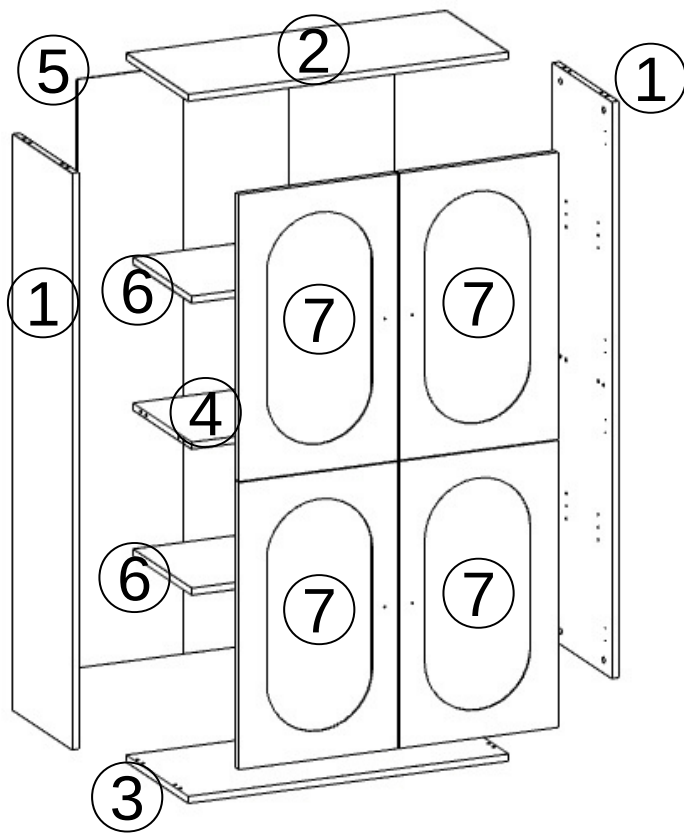






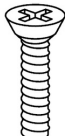


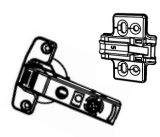
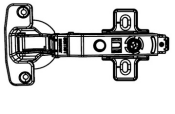
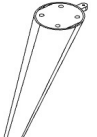



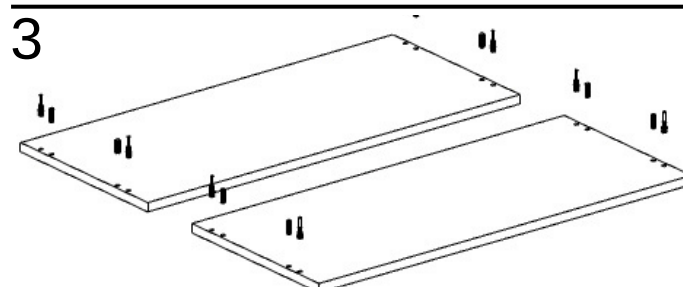
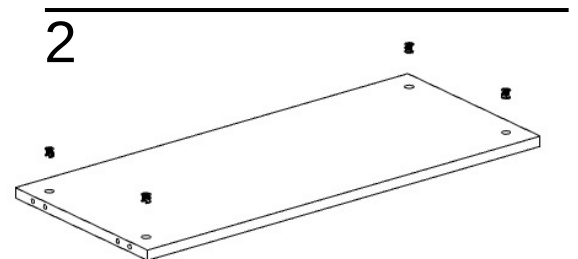
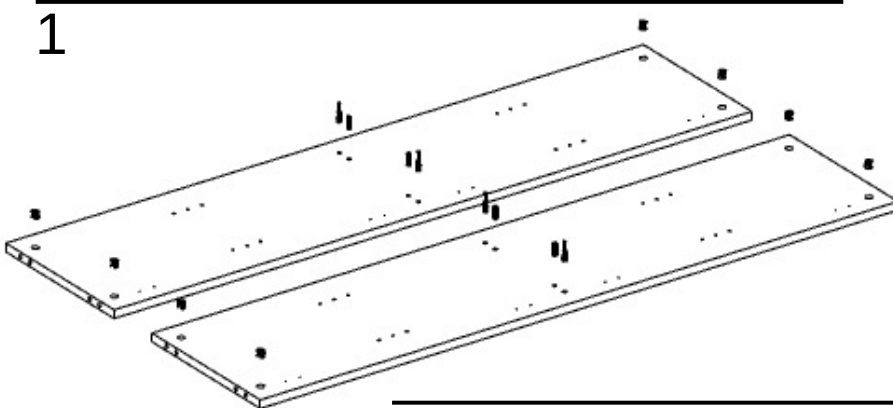
RETRA



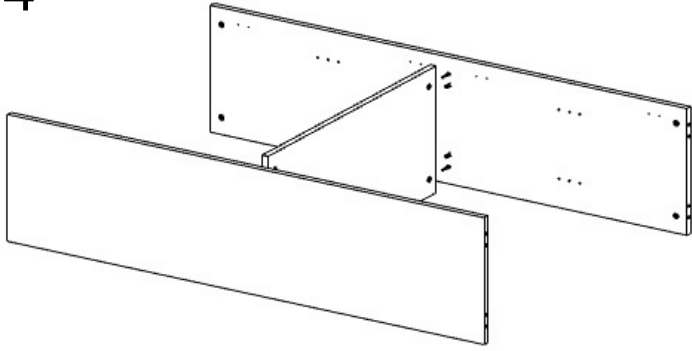


no	mm
1 - 1464*350*18	x2
2 - 850*370*18	x1
3 - 850*370*18	x1
4 - 814*350*18	x1
5 - 1494*281*3	x3
6 - 814*350*18	x2
7 - 729*421*18	x4

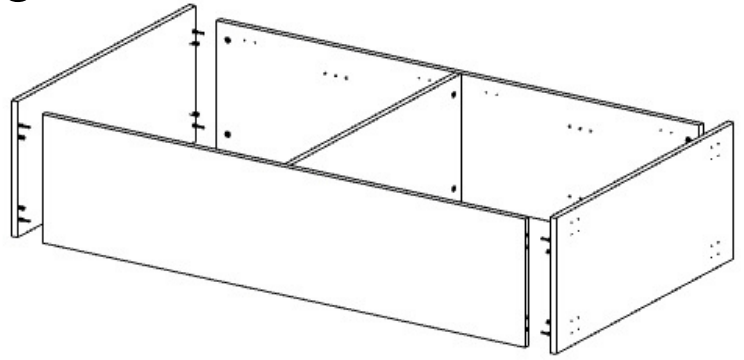
 B001 x12	 B002 x12	 B003 x12	 B004 x12	 M3,5*18 B008 x16	 M4*20 B009 x36	 B011 x4
 B020 x8	 B019 x36	 B017-B018 x4	 B012 x4	 A007 x4	 A009 x4	



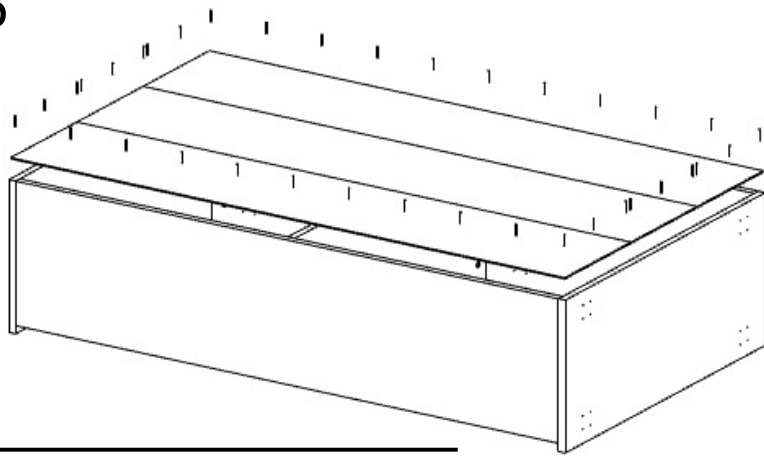
4



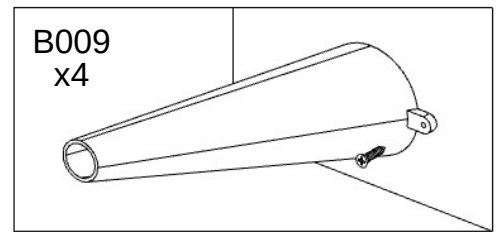
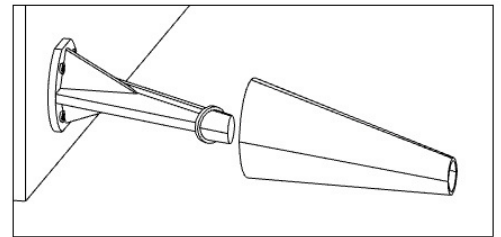
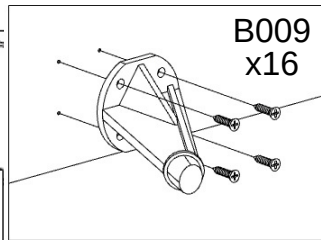
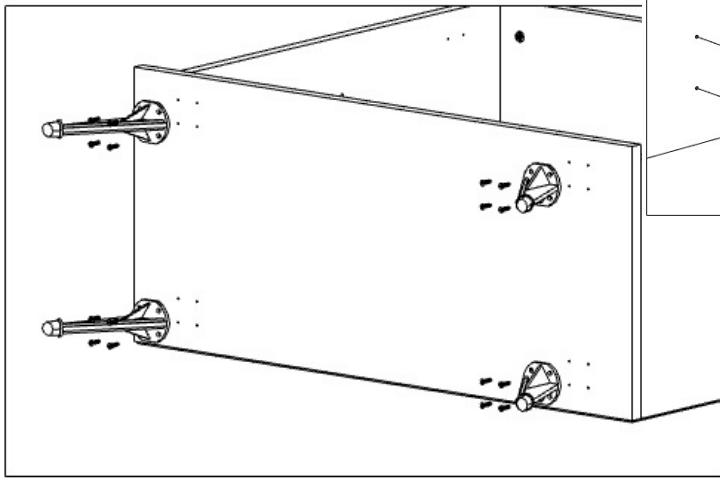
5



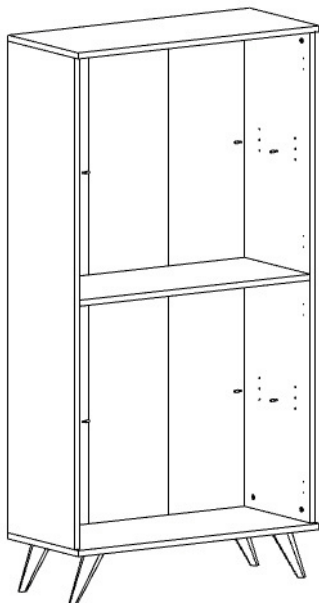
6



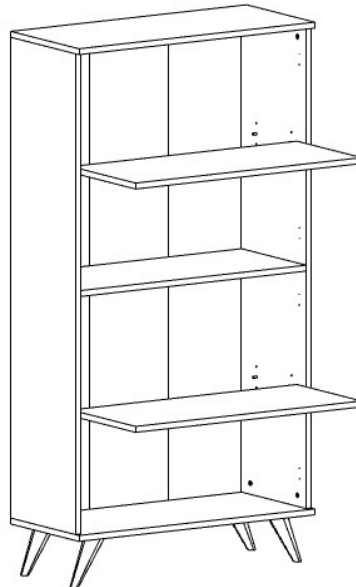
7



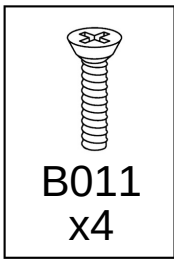
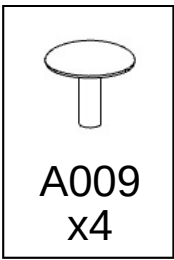
8



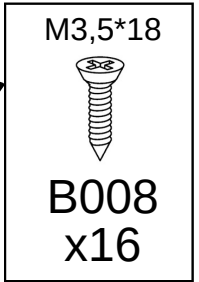
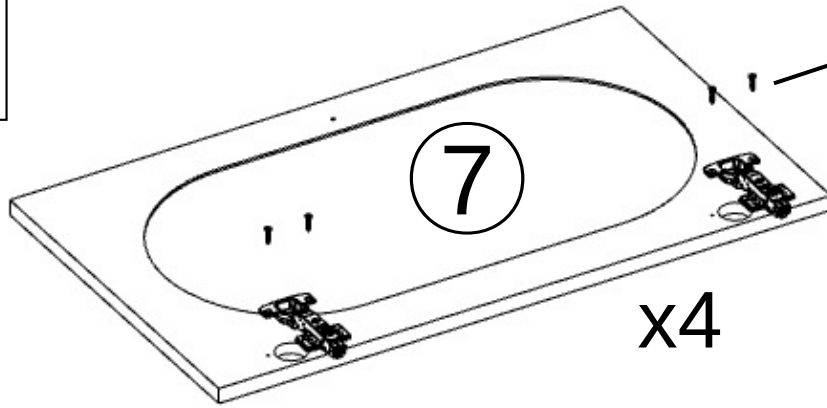
9



3



10



11

