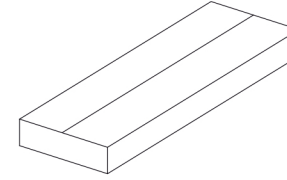
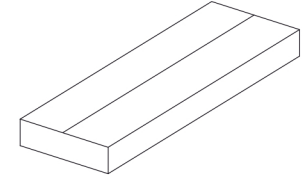


# ÇALIŞMA MASASI

## WORKTABLE



2/1



2/2



x37

1001



x55

1002



x37

1003



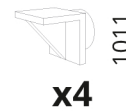
x6

1022



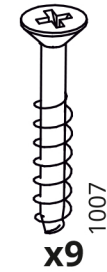
x30

1006



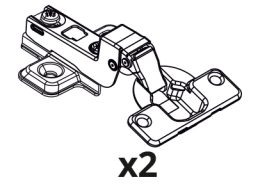
x4

1011



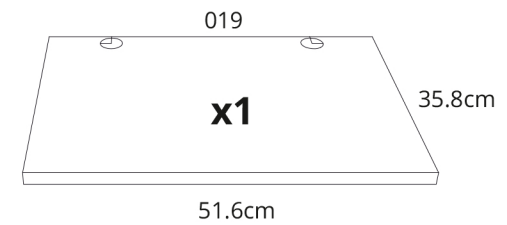
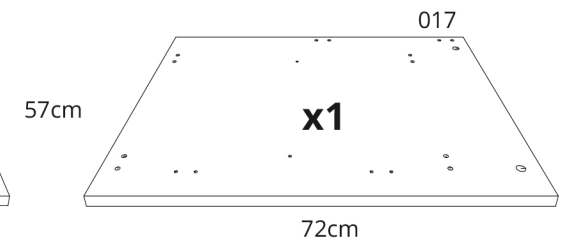
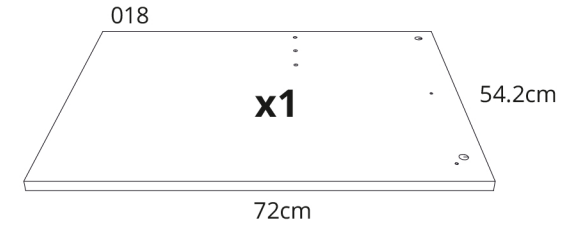
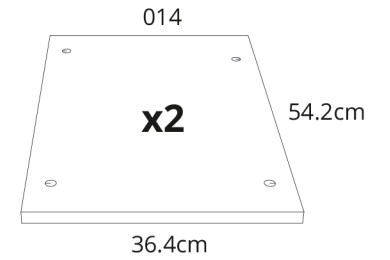
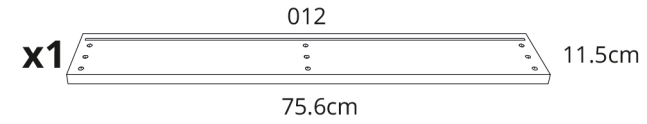
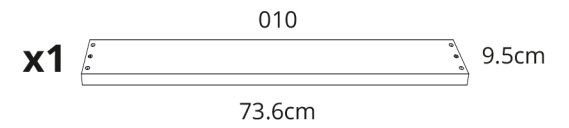
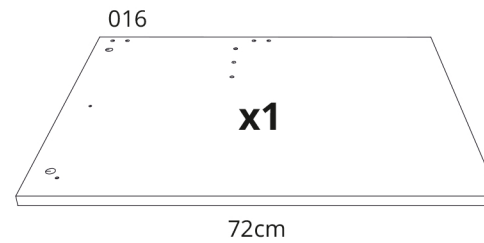
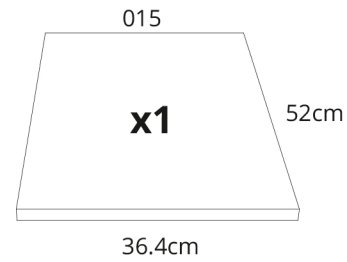
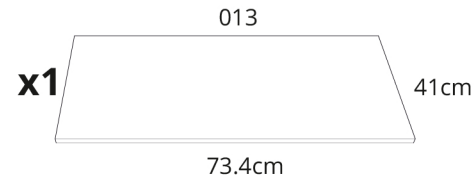
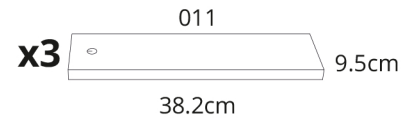
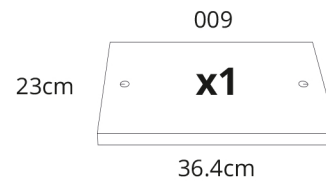
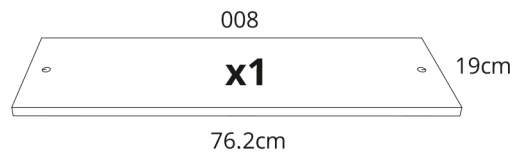
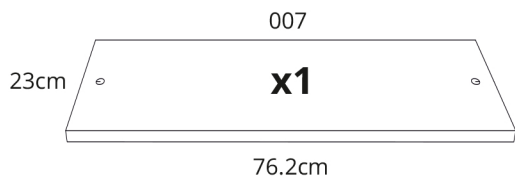
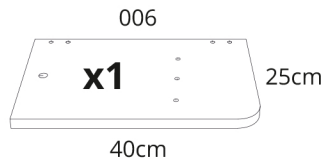
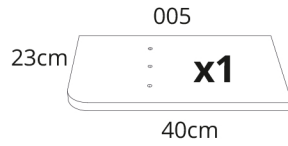
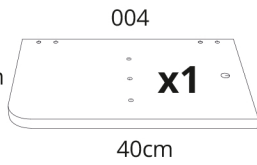
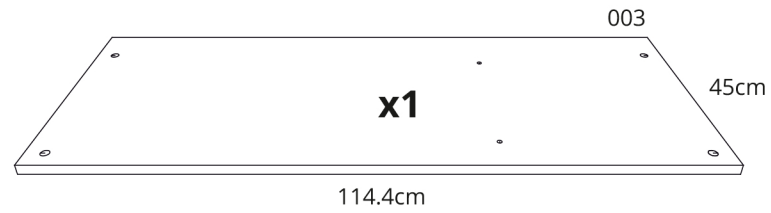
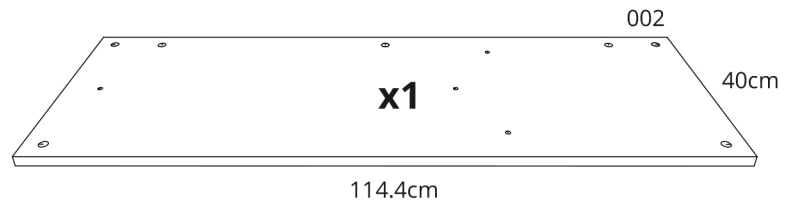
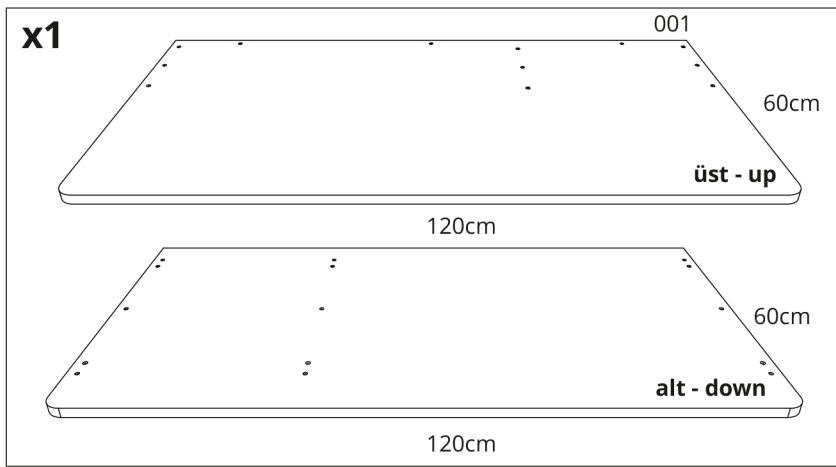
x9

1007



x2

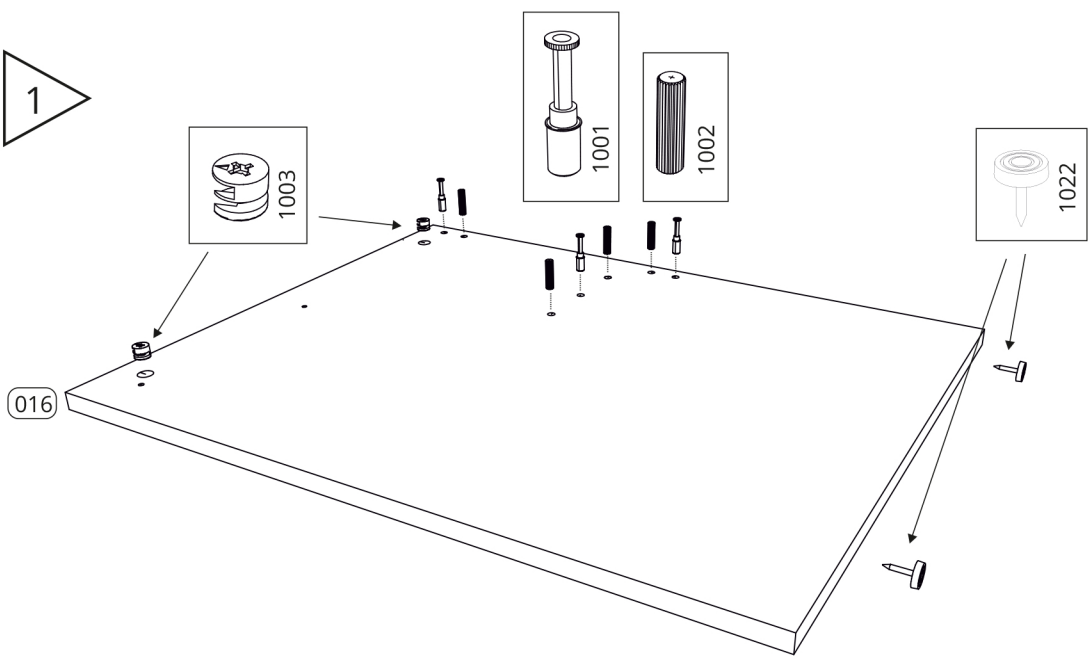
1018



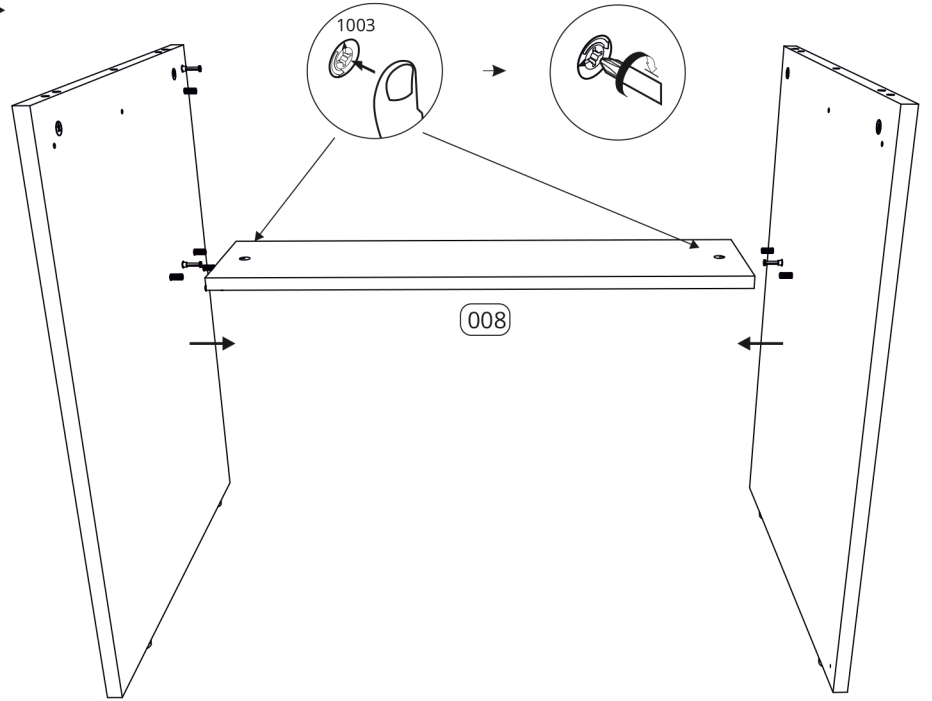
02

03

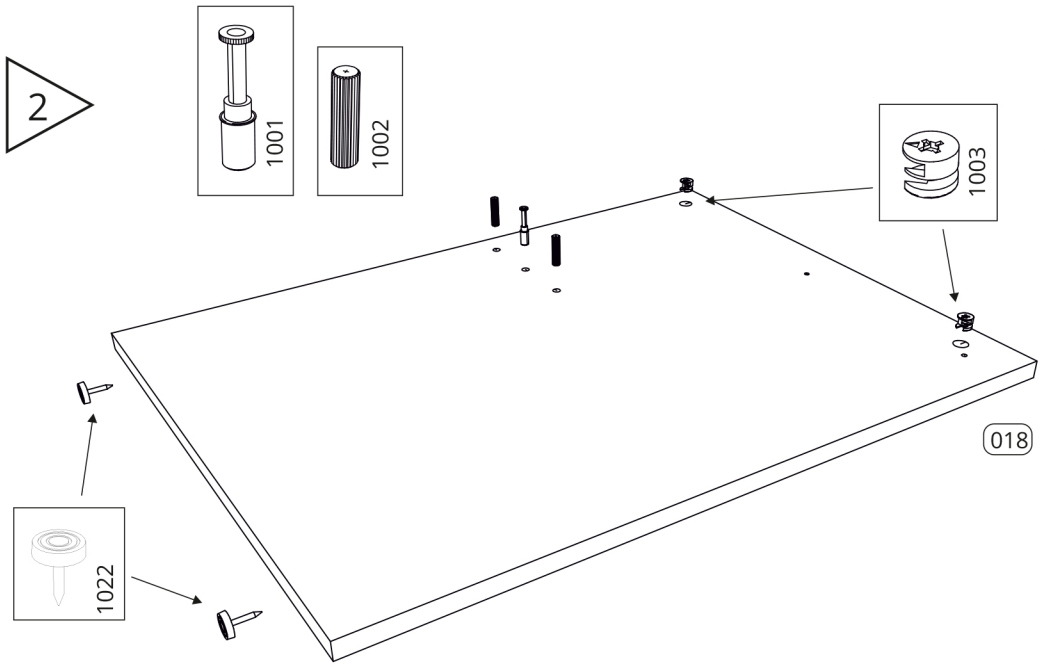
1



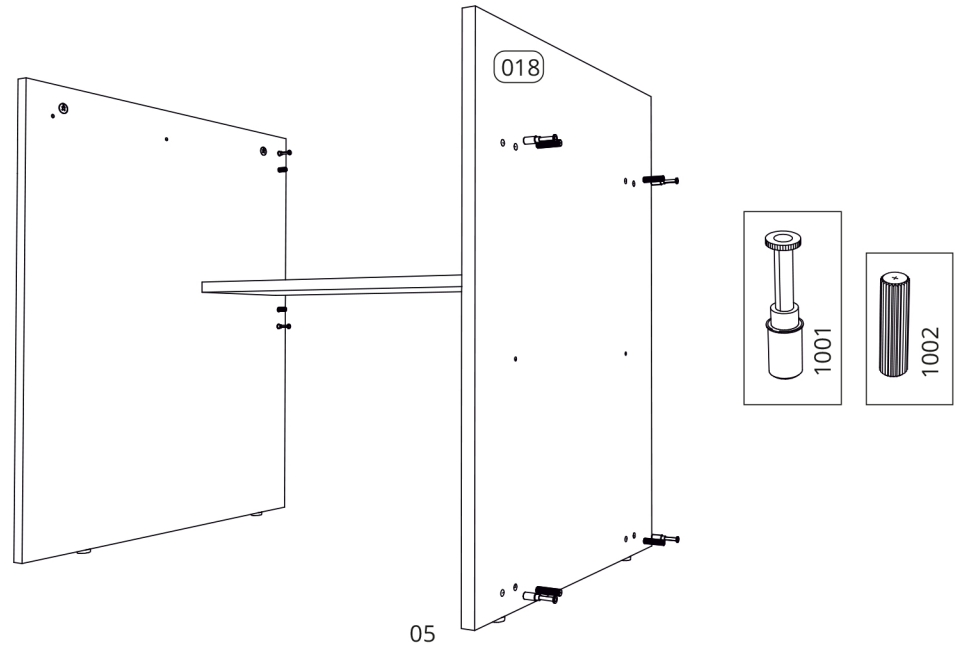
3



2



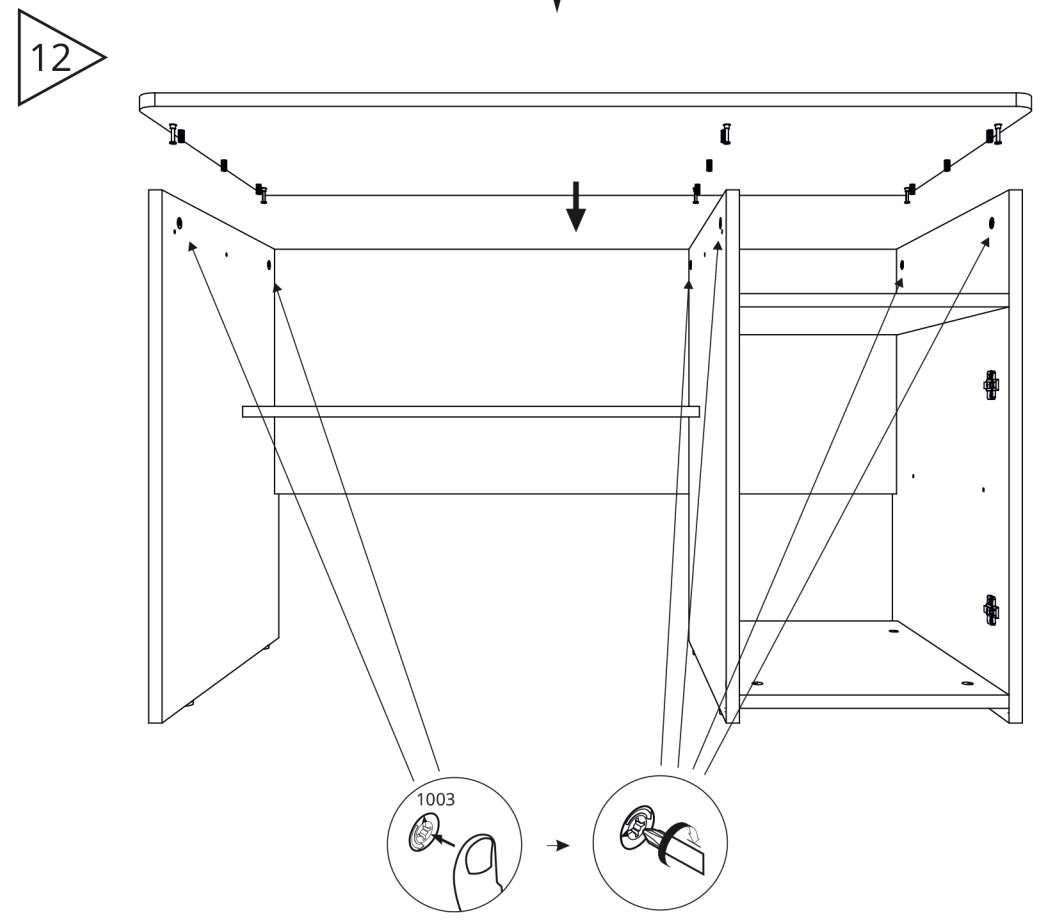
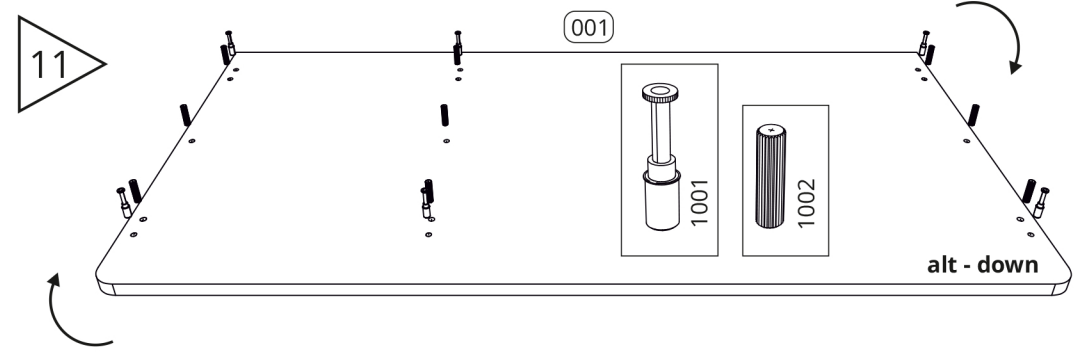
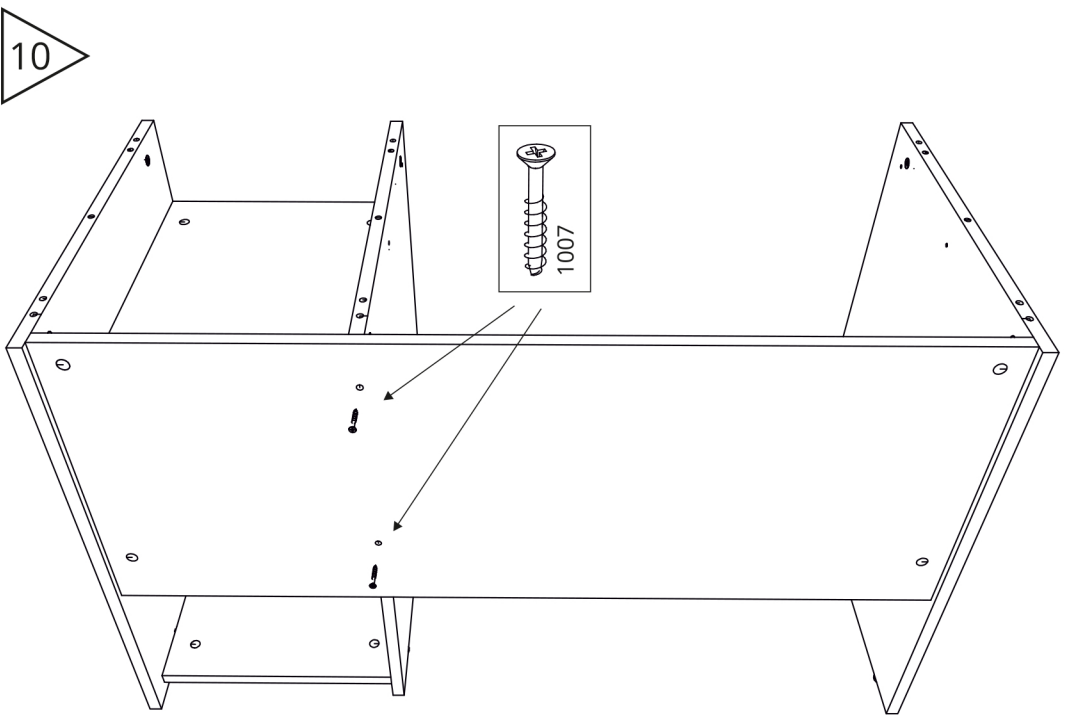
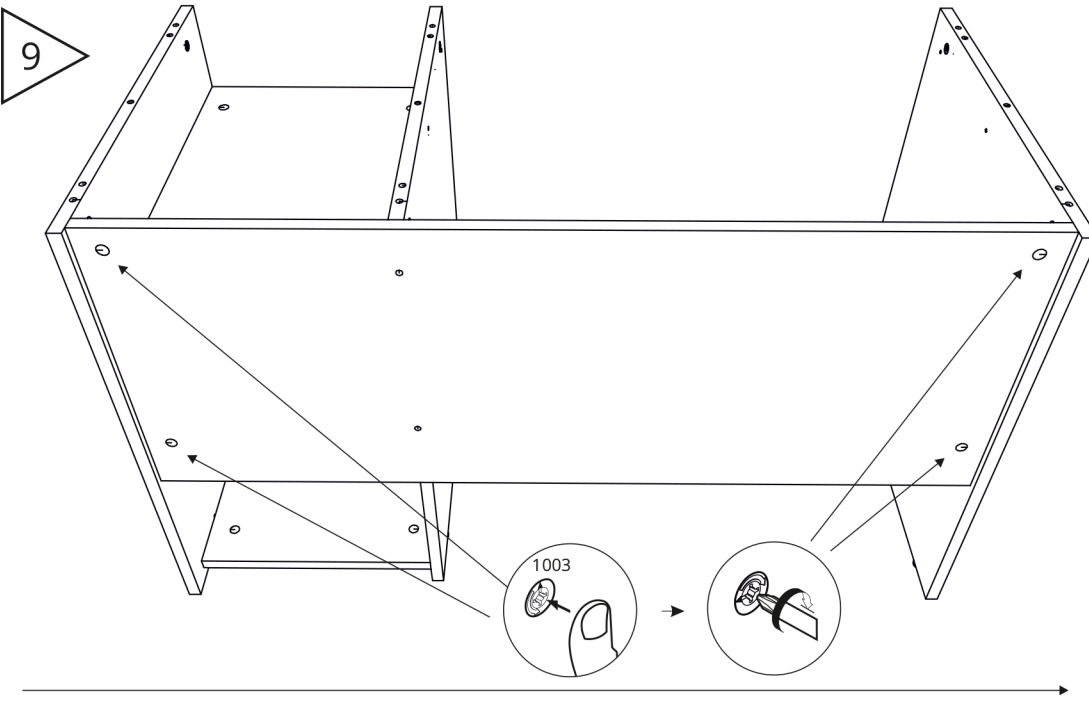
4



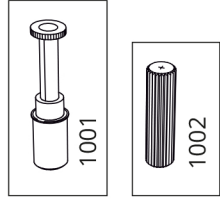
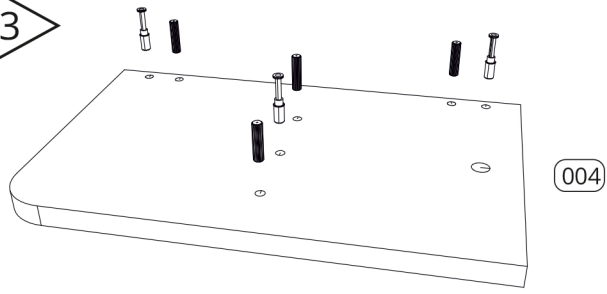
04

05

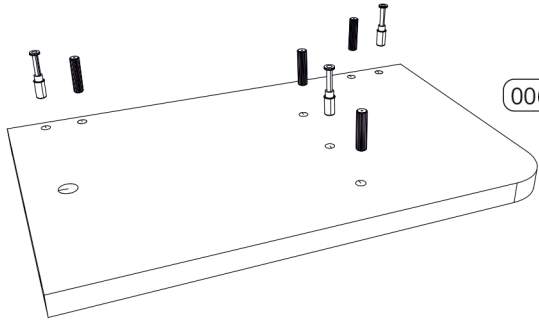




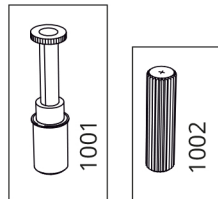
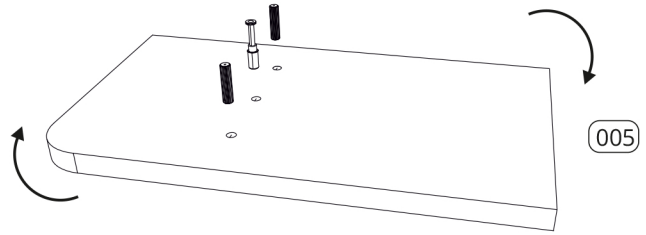
13



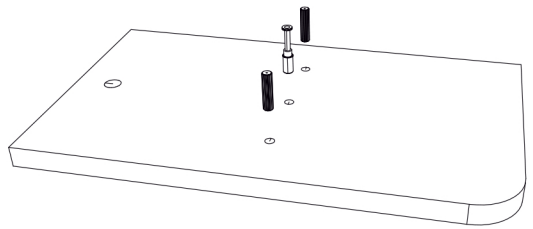
006



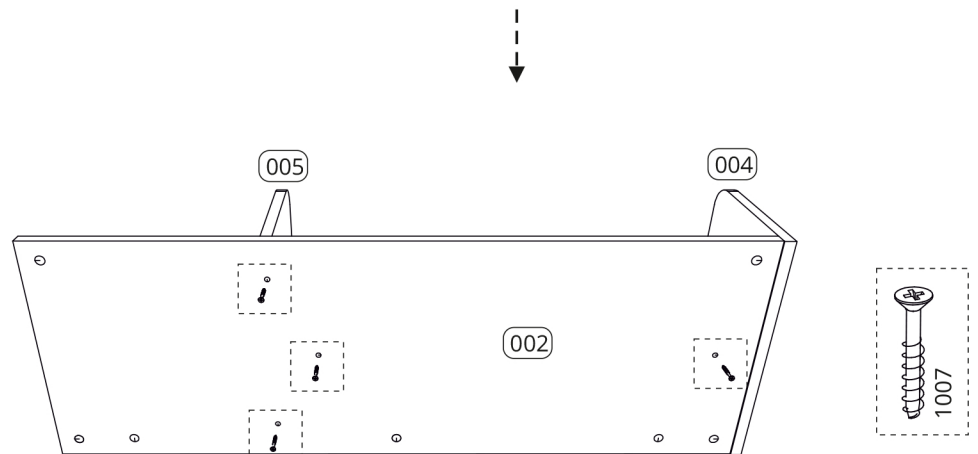
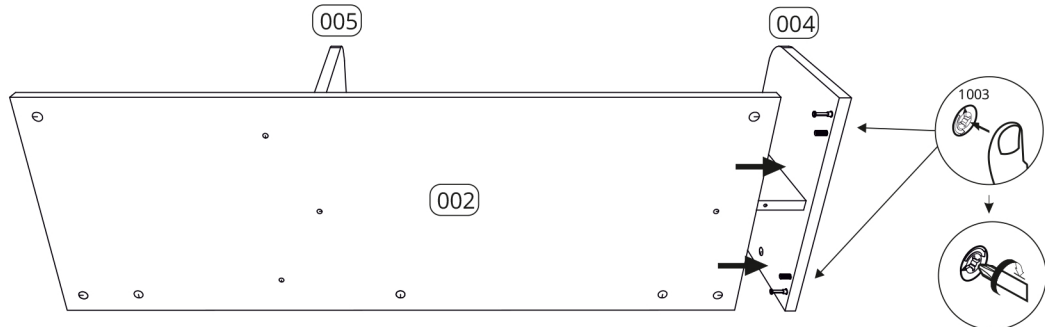
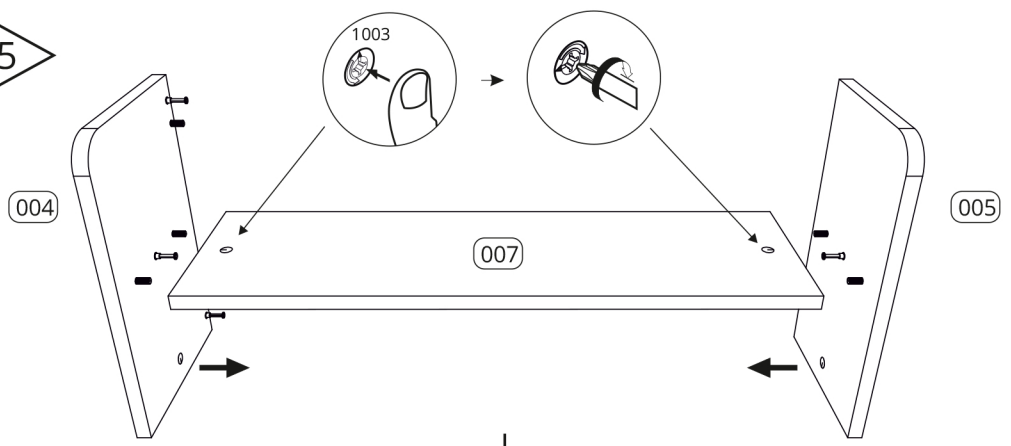
14



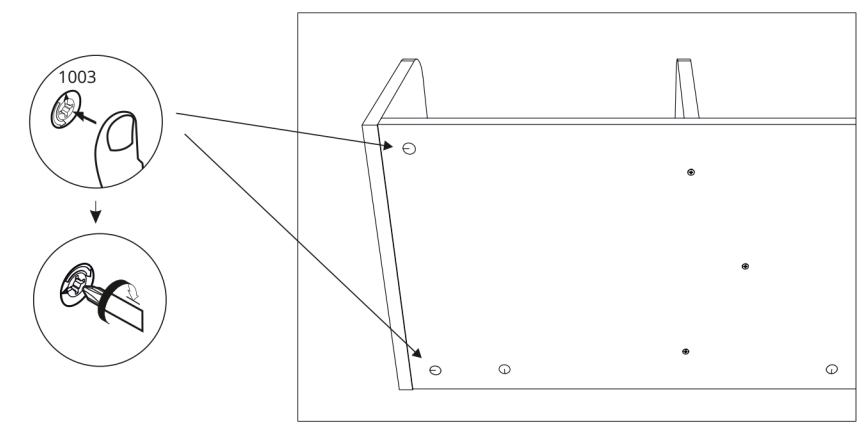
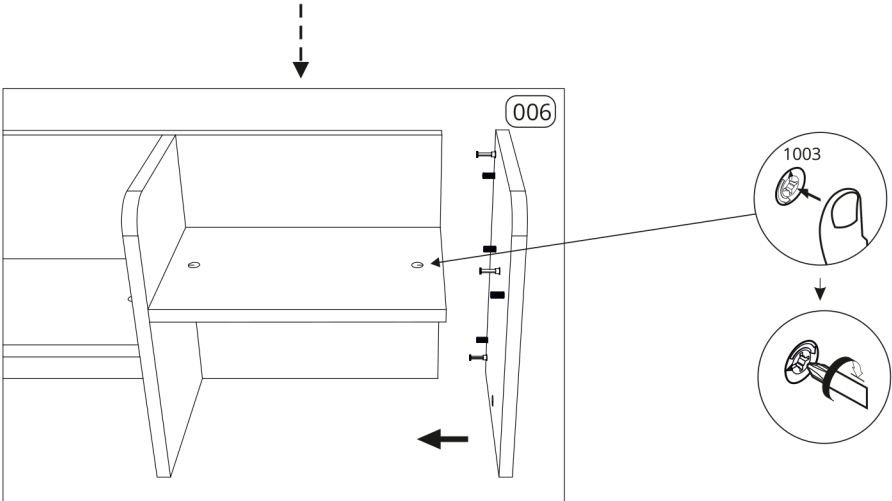
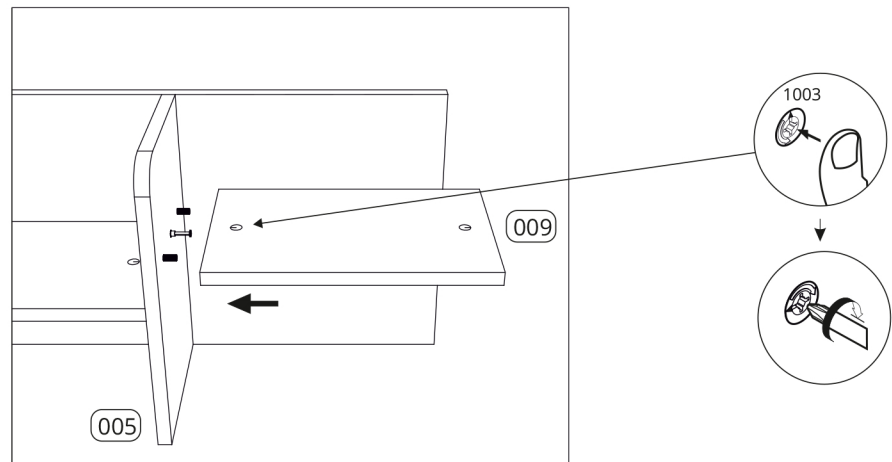
005



15

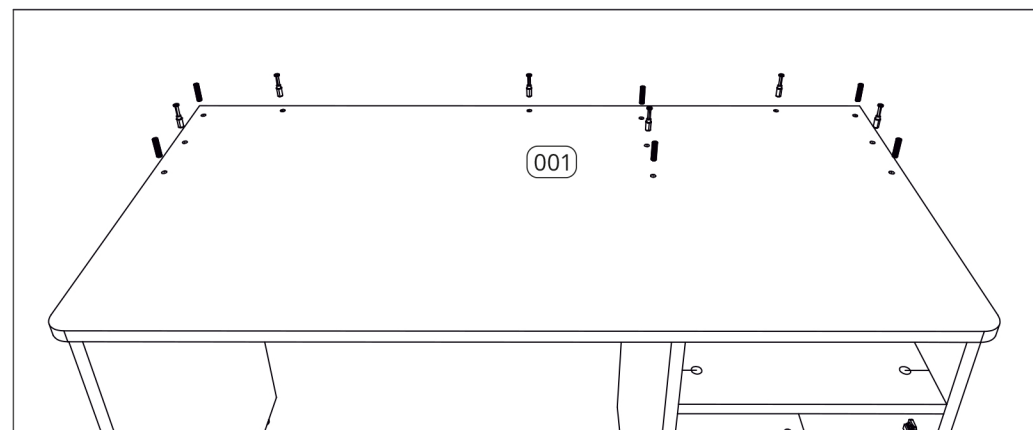
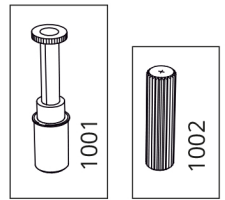


16

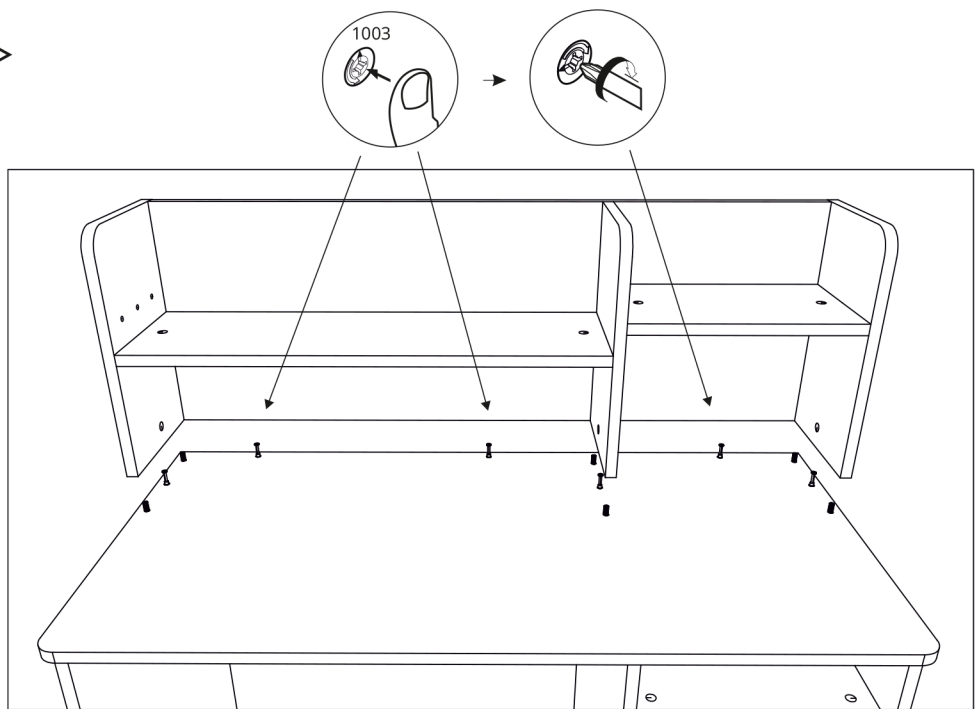


12

17

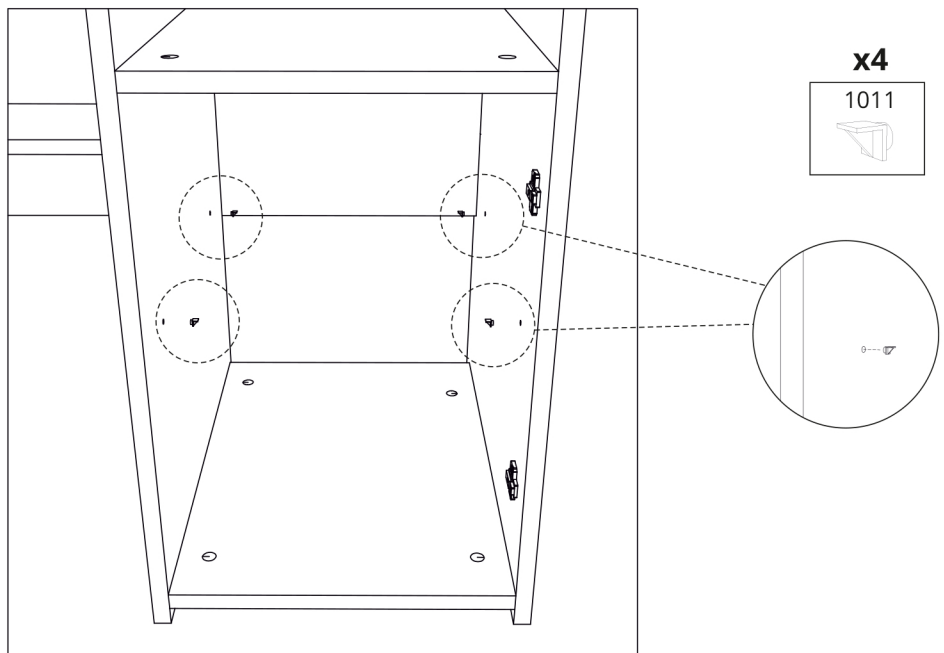


18

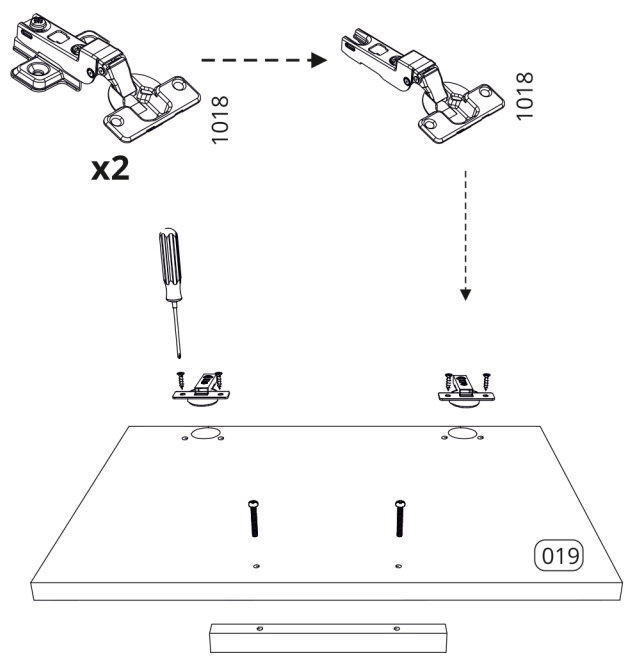


13

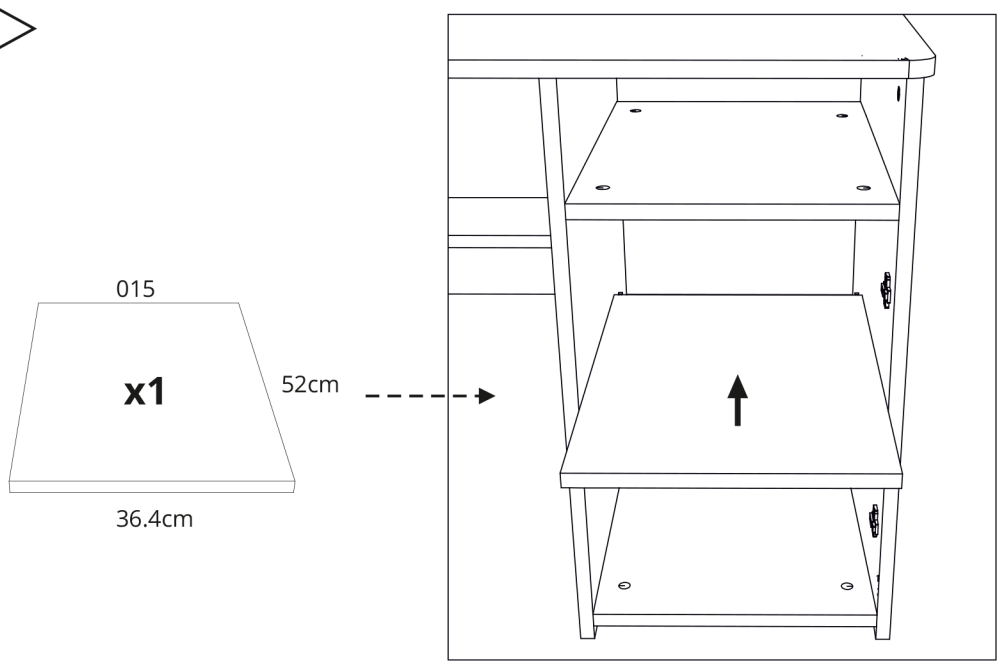
19



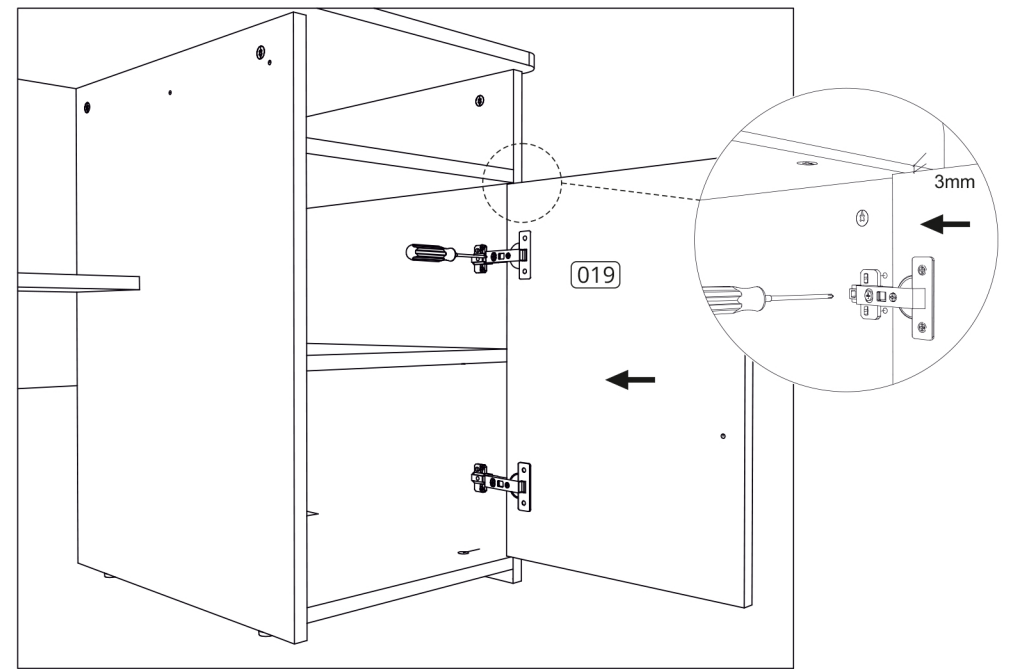
21



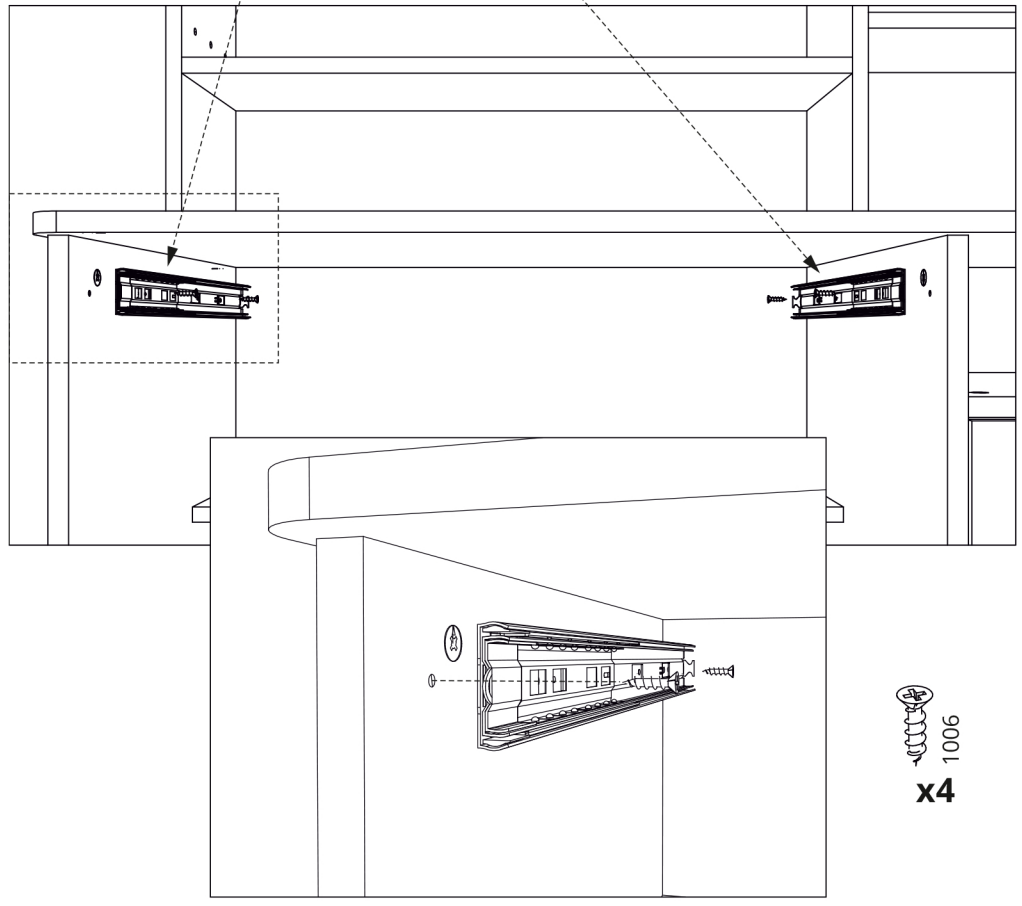
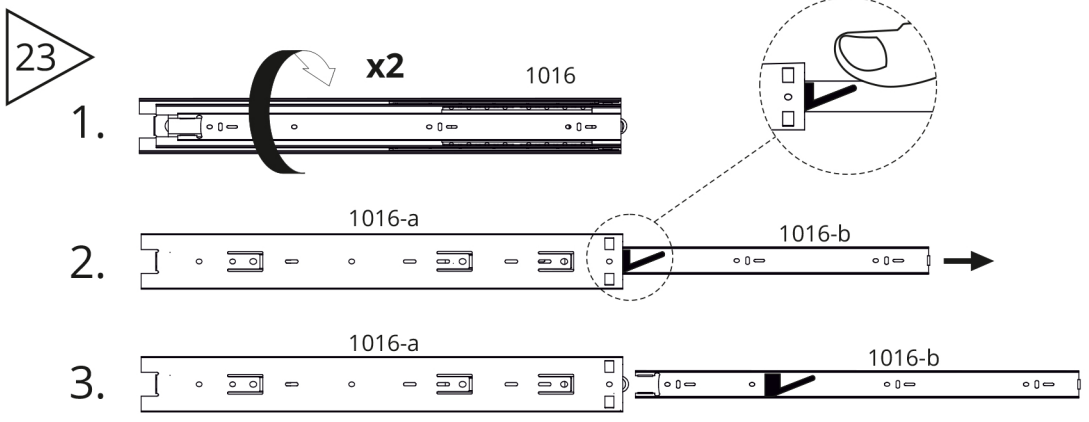
20



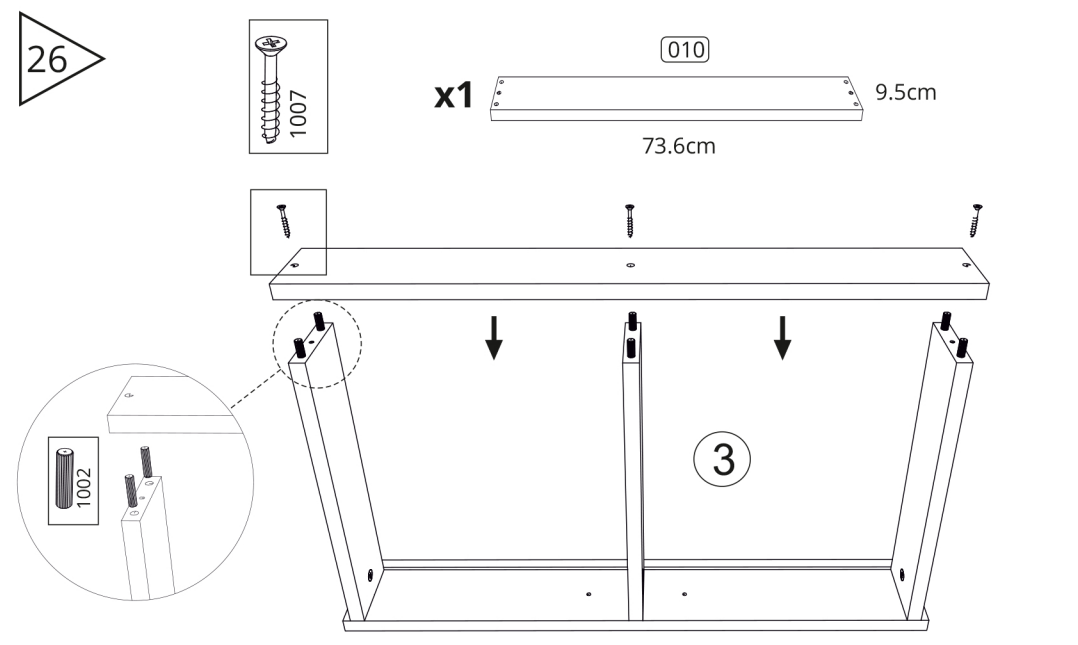
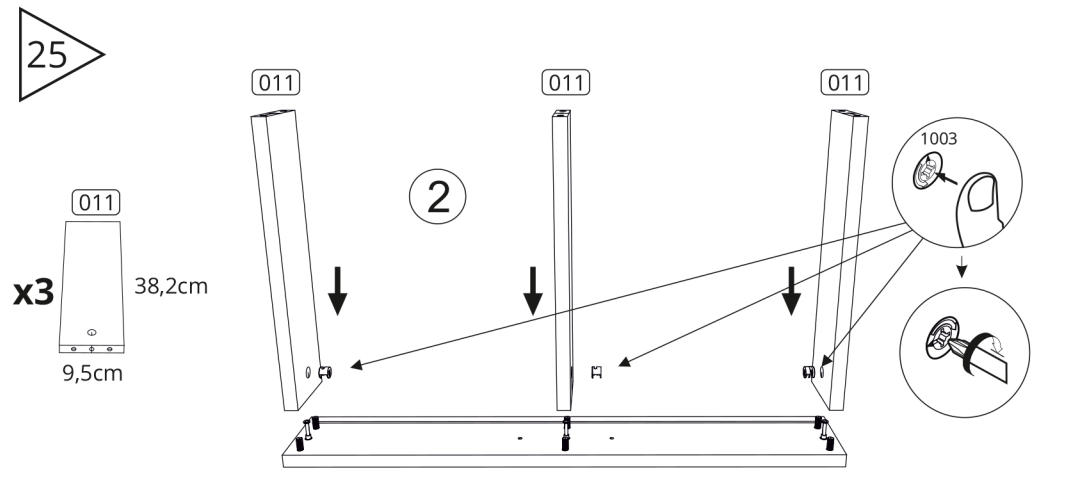
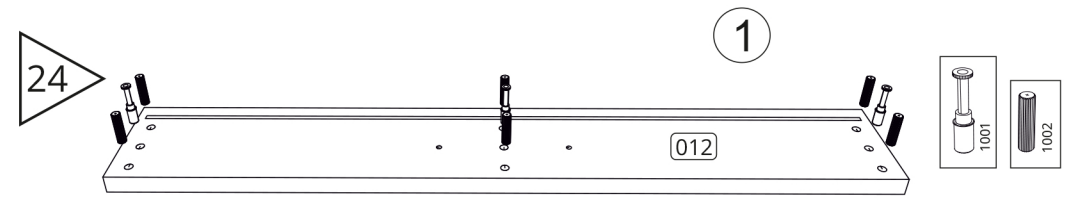
22



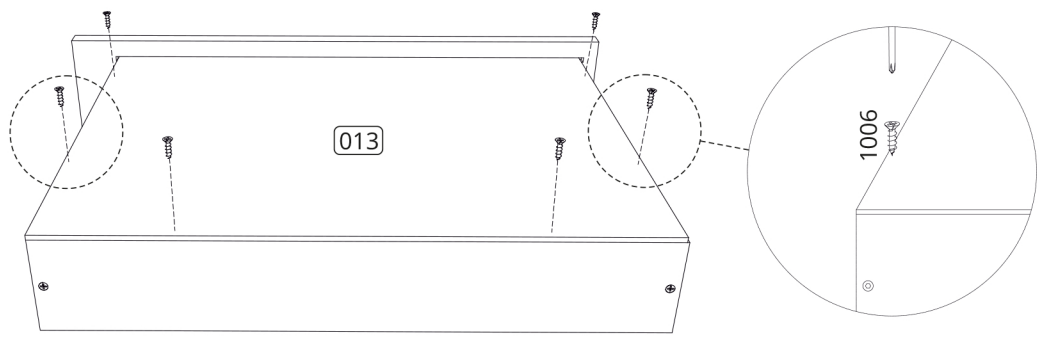
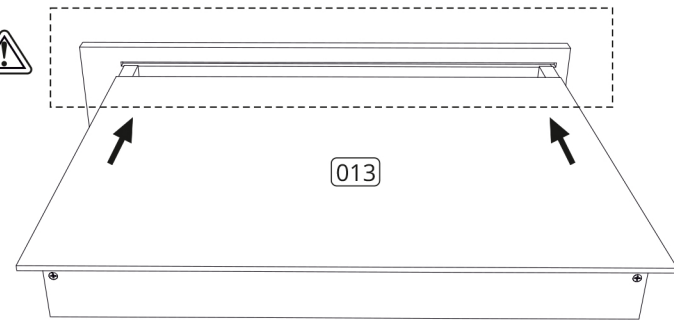
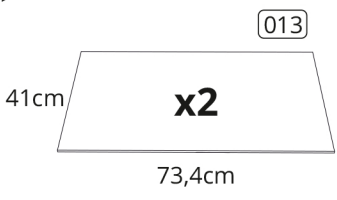




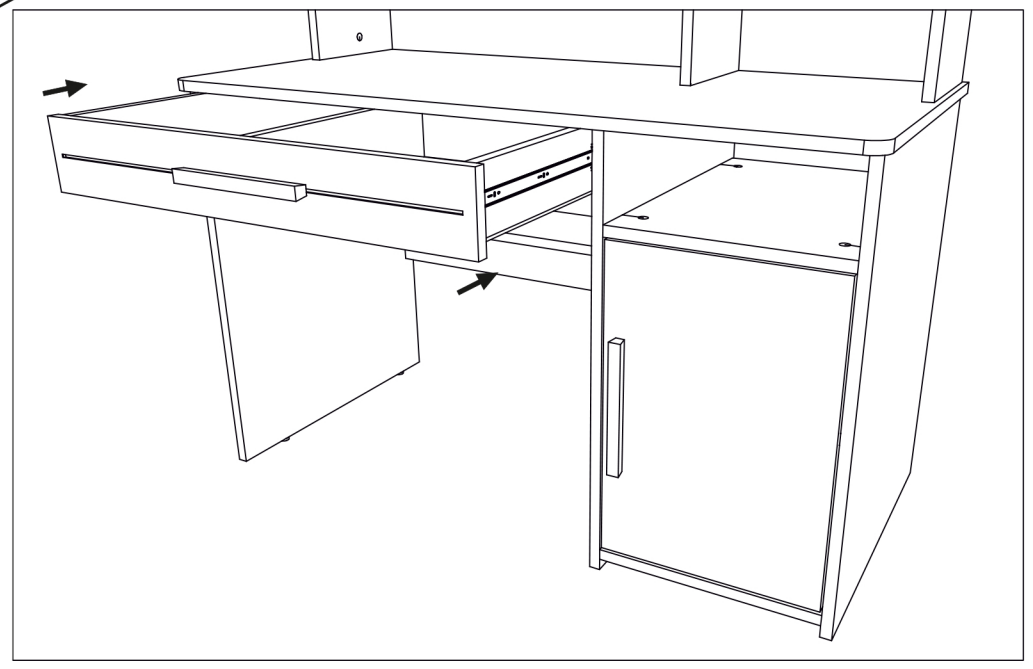
**x4** 1006



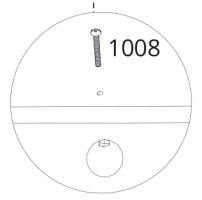
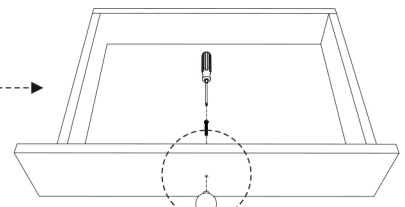
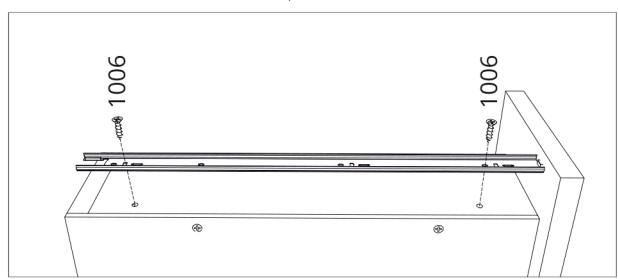
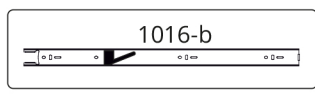
27



29



28



30

