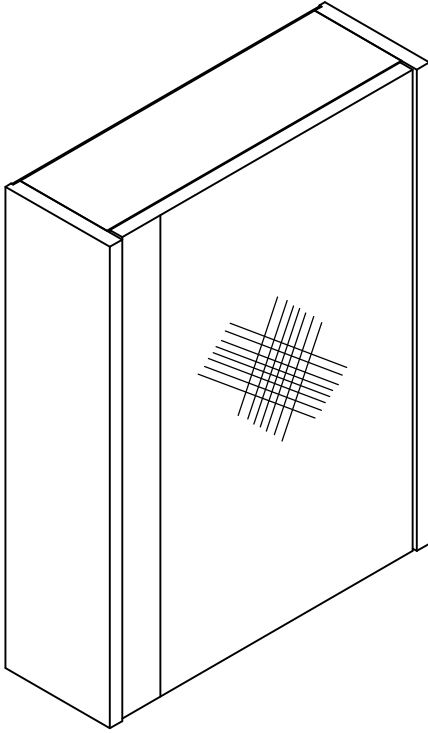
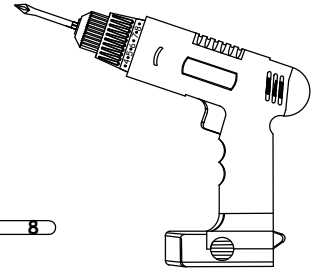
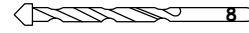
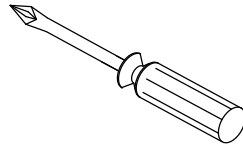
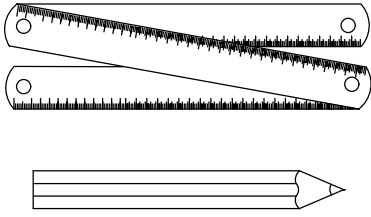


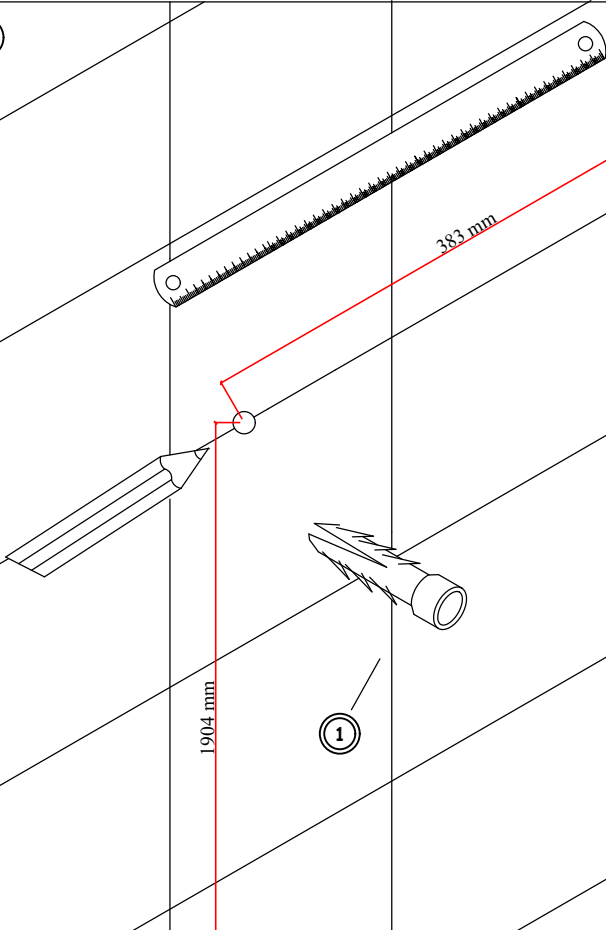
MONTAJ ŞEMASI
(MOUNTING DIAGRAM)

1	PLASTİK DÜBEL (PLASTIC PEG)		2 Ad
2	VİDA YHB 6x70 (SCREW YHB 6x70)		2 Ad
3	ASKI ELEMANI (HANGER COMPONENT)		1 TK
4	RAF PİMİ (SHELF PIN)		8 Ad
5	MİNİFİKS TİPASI (MINIFIX PLUG)		4 Ad

NOT: AKSESUAR (KULP, RAY VB.) GENEL GÖRÜNÜM AMAÇLI OLUP KATALOG GÖRÜNÜMÜNDEN FARKLI OLABİLİR.
(NOTE: ACCESSORY (HANDLE, RAIL, ETC.) IS FOR GENERAL VIEW AND MAY DIFFER FROM CATALOG VIEW)

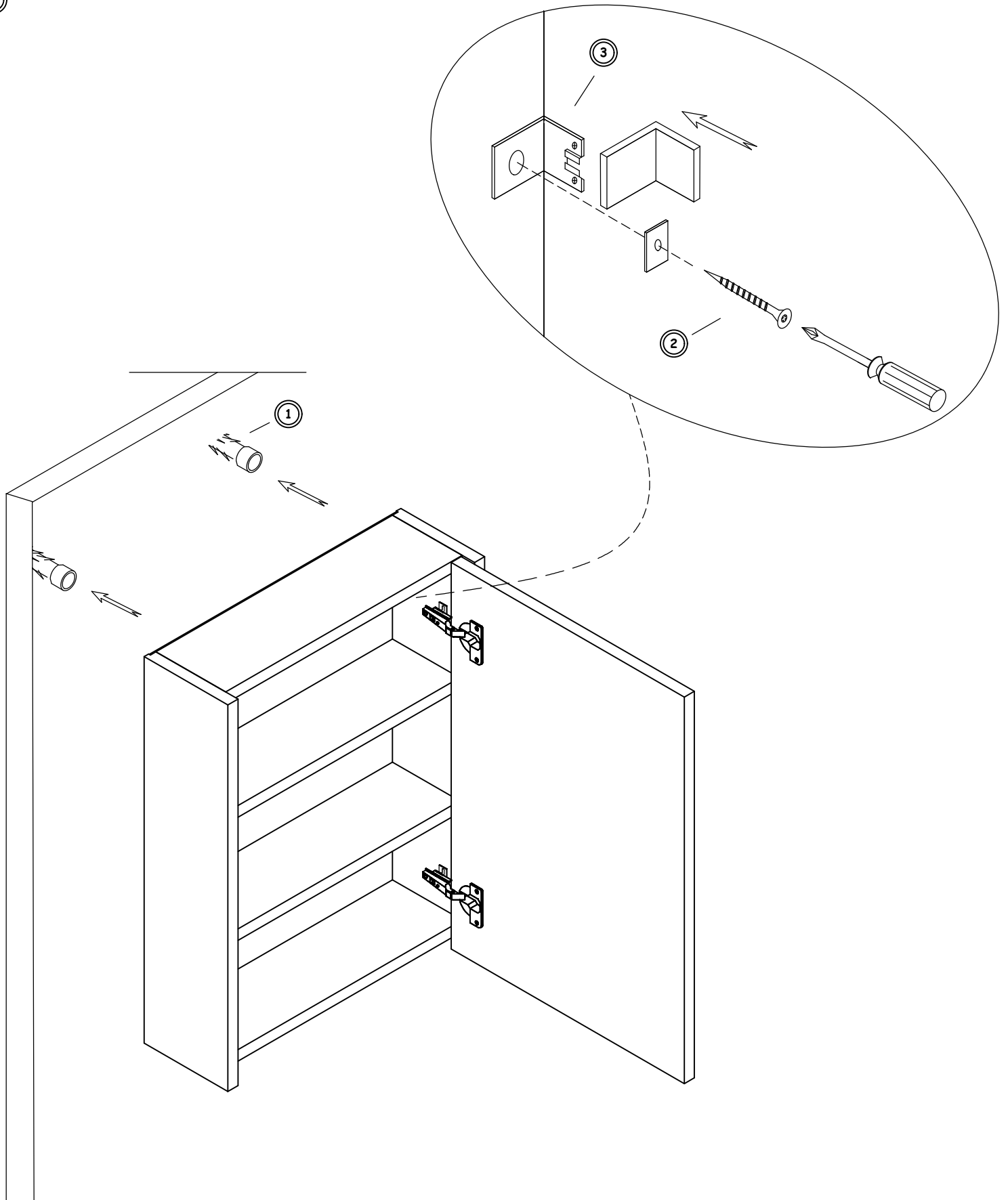


1



ASKI ELEMANI İÇİN DUVAR DELİKLERİNİ DARBELİ MATKAP İLE DELİNİZ. DUVAR DELİKLERİNİ DELDİKTEN SONRA DÜBELLERİ YERLEŞTİRİN.
(DRILL THE WALL HOLES FOR THE HANGER COMPONENT WITH IMPACT DRILL. AFTER DRILLING THE WALL HOLES, PLACE THE PEGS.)

2



VİDAYI PULDAN GEÇİRİP ASKI TAKIMINI
DÜBELLE SIKARAK DUVARA SABİTLEYİNİZ.
(PASS THE SCREW THROUGH THE WASHER
AND FASTEN THE HANGER SET TO THE
WALL BY TIGHTENING IT INTO THE PEGS.)