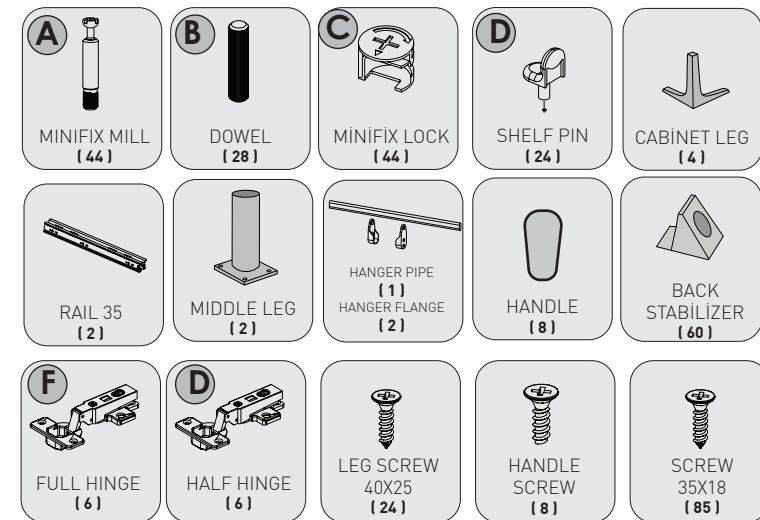
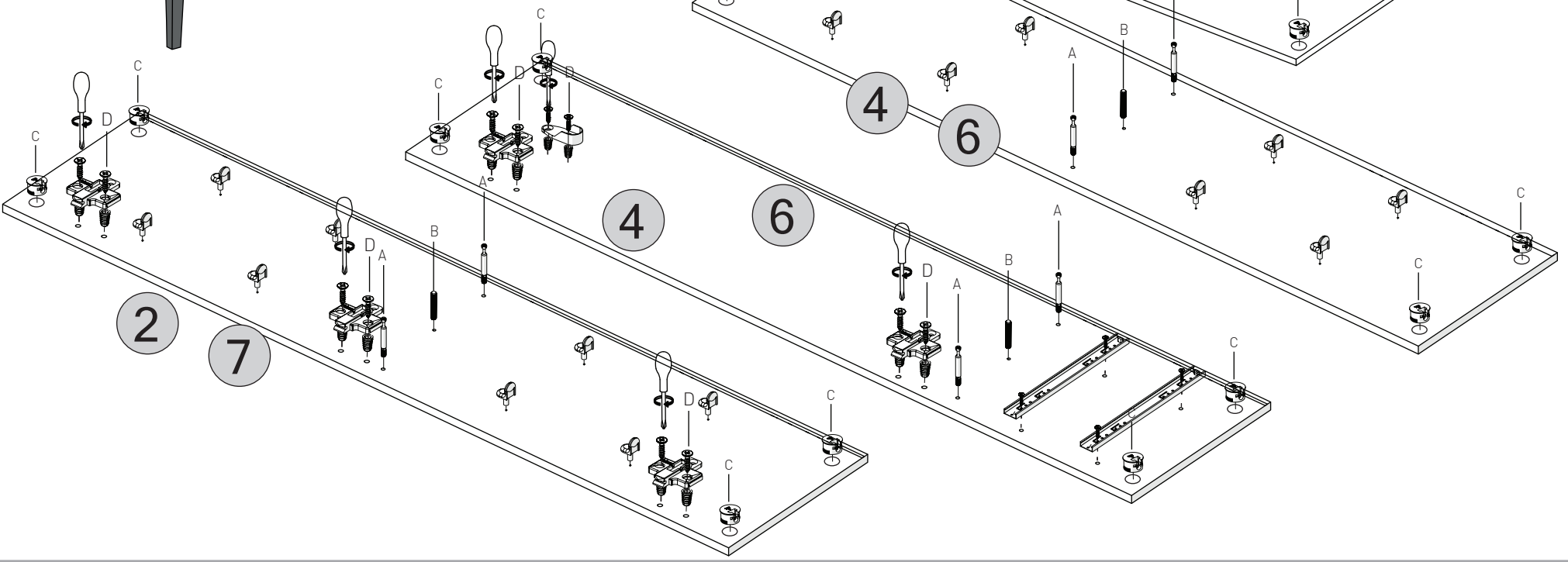
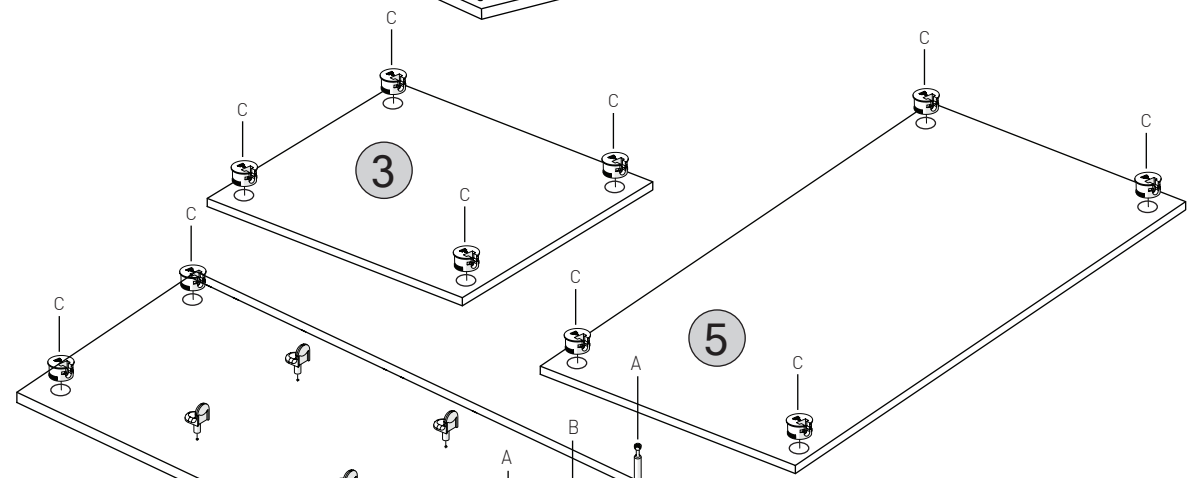
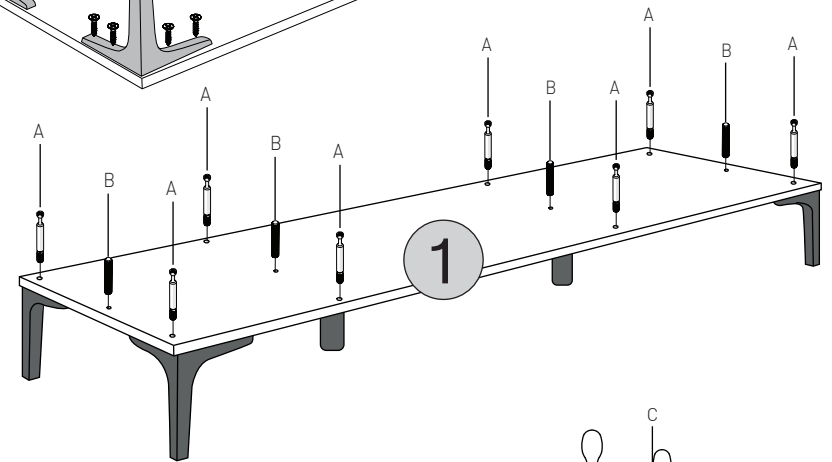
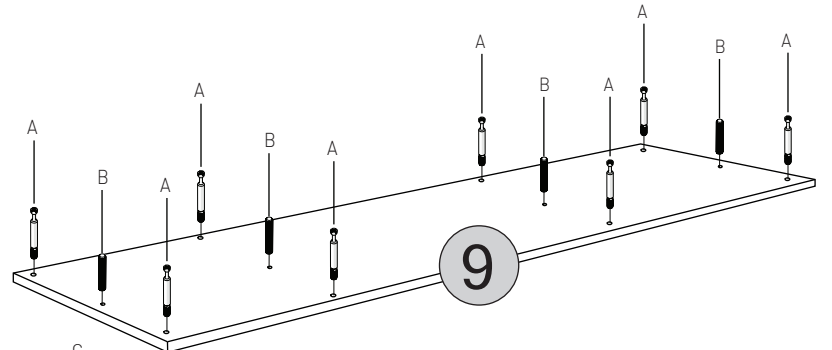
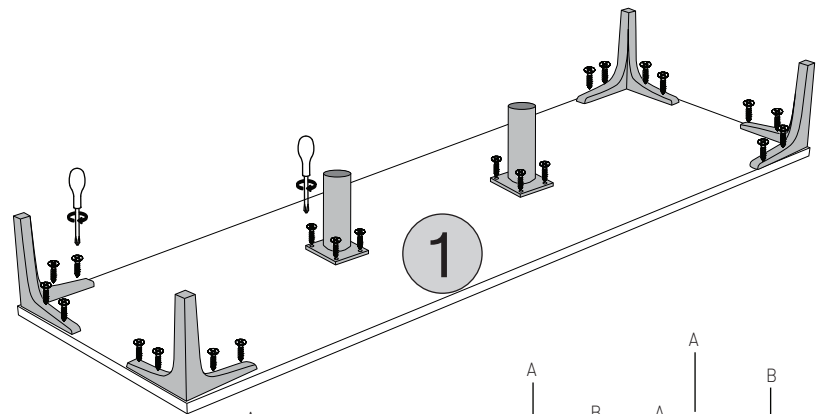
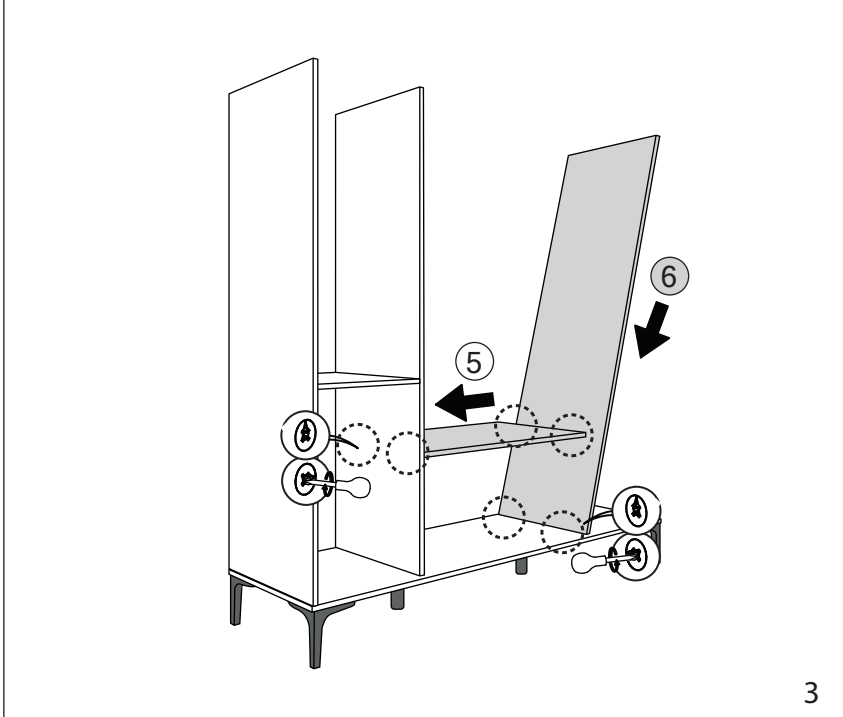
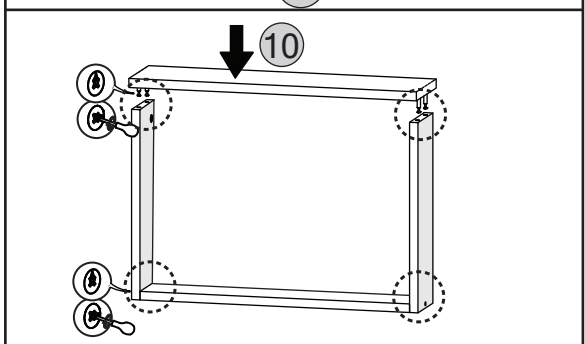
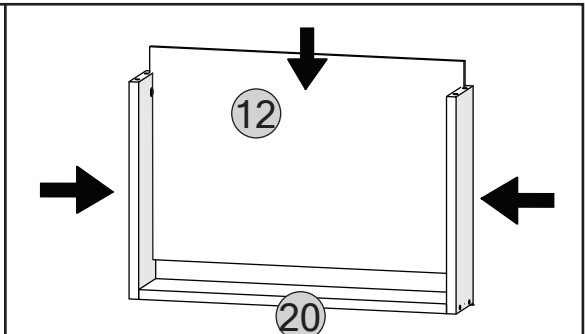
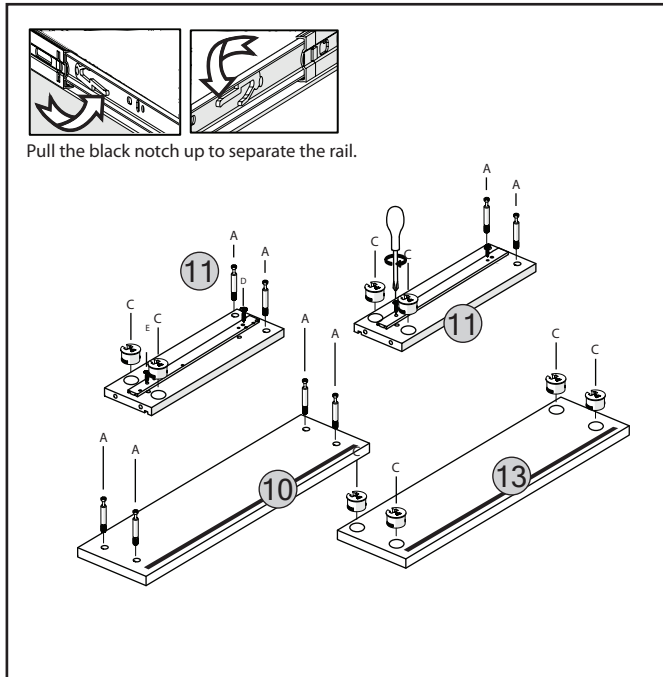
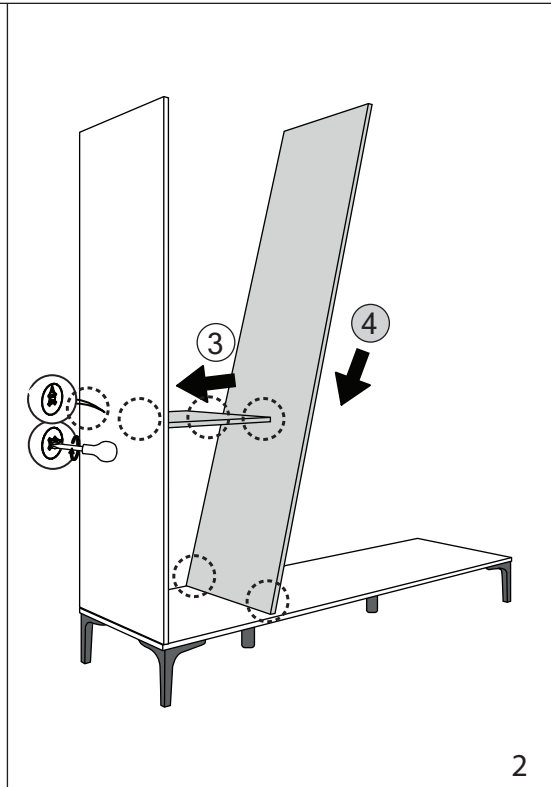
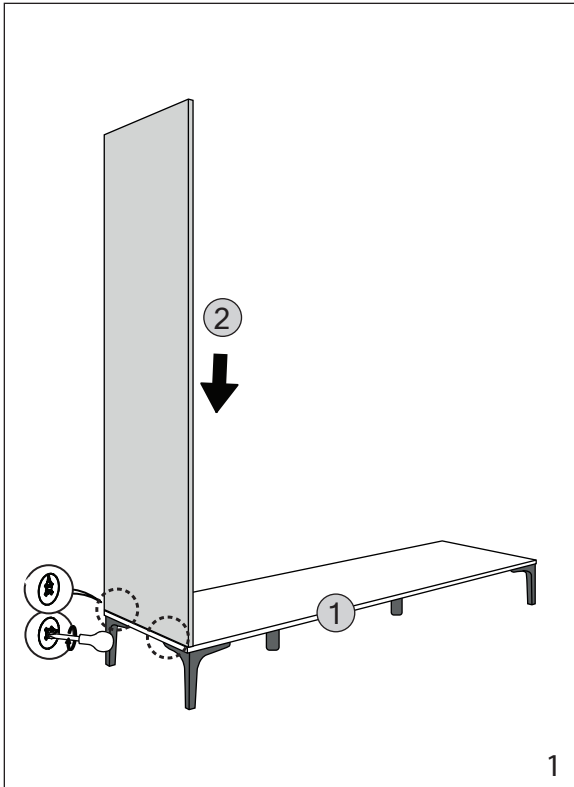
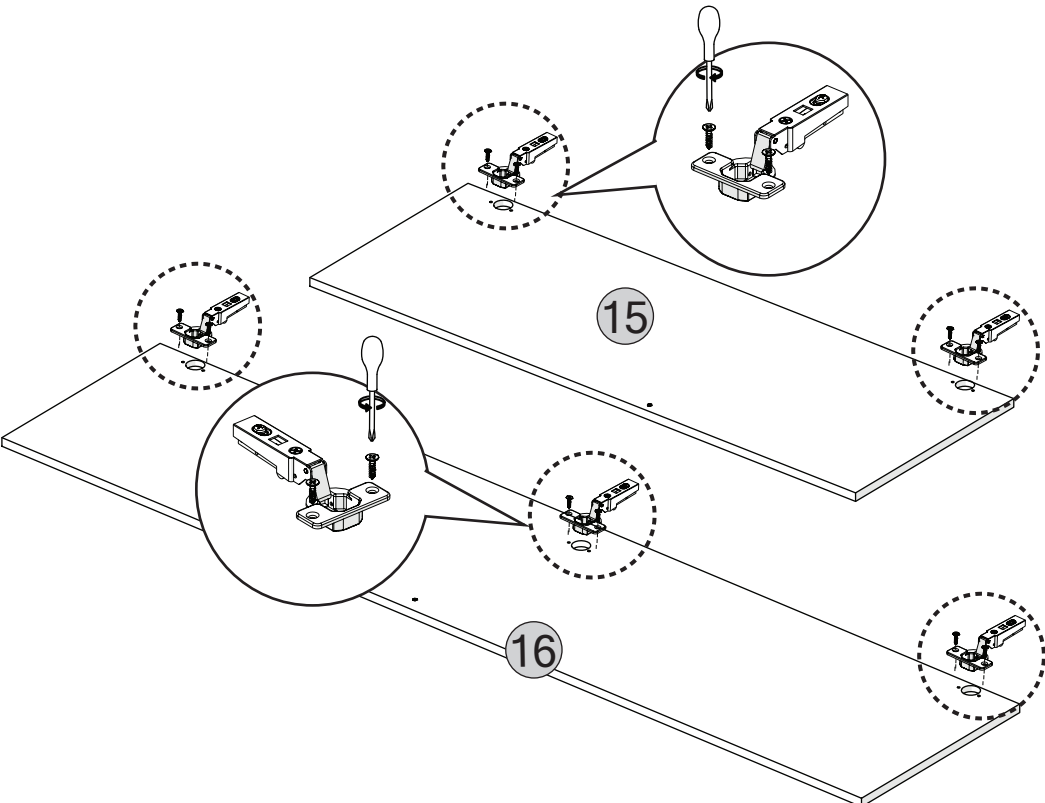
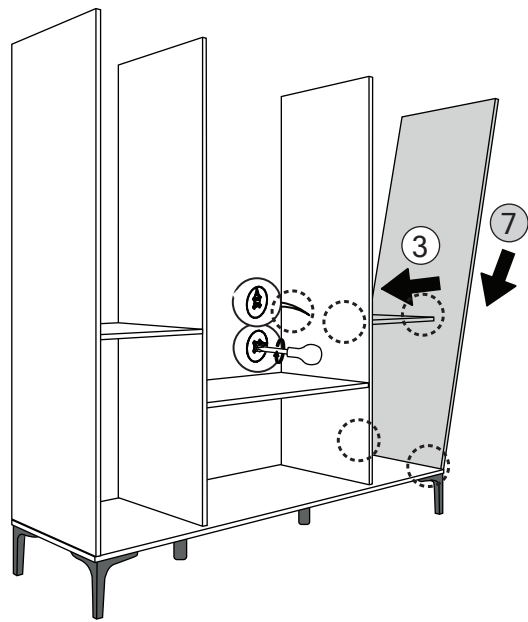


Cabinet with 4 doors & 2 drawers		
CODE	PIECE NAME	NO
1	Bottom plate	1
2	Left vertical plate	1
3	Left-Right Steady Plate - Middle	2
4	Middle Vertical Plate - Left	1
5	Left Steady Plate - Bottom	1
6	Right Middle Vertical Plate	1
7	Right Vertical Plate	1
8	Background Plates	2
9	Top plate	1
10	Drawer Door	3
11	Drawer Side Plates	1
12	Drawer Bottom Plate	4
13	Drawer Back Plate	2
14	Moveable Shelves	6
15	Cabinet Doors - Middle	2
16	Cabinet Doors - Right & Left	2
17		

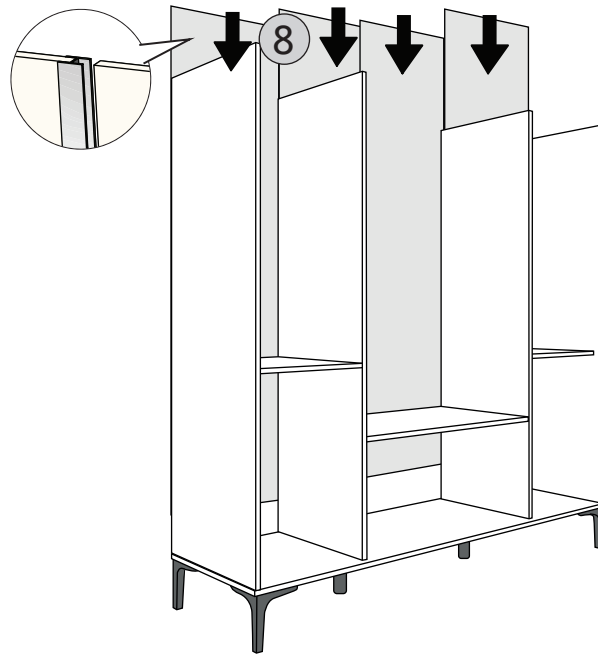




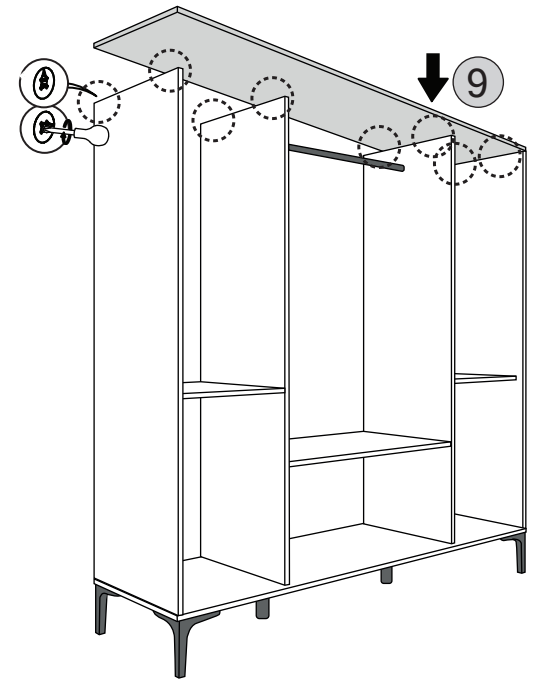




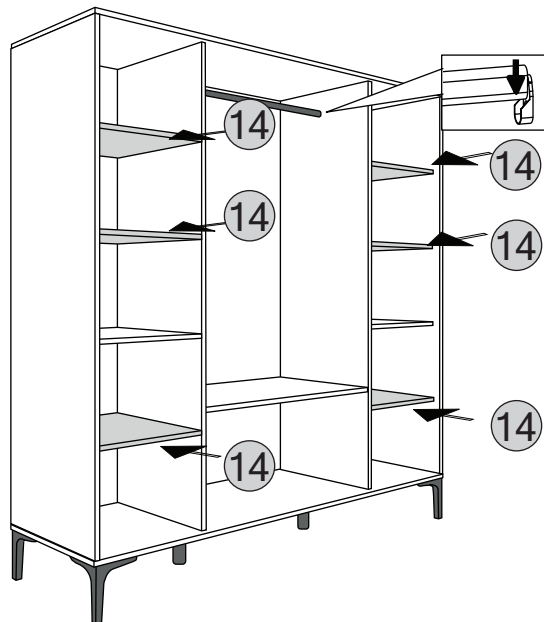
4



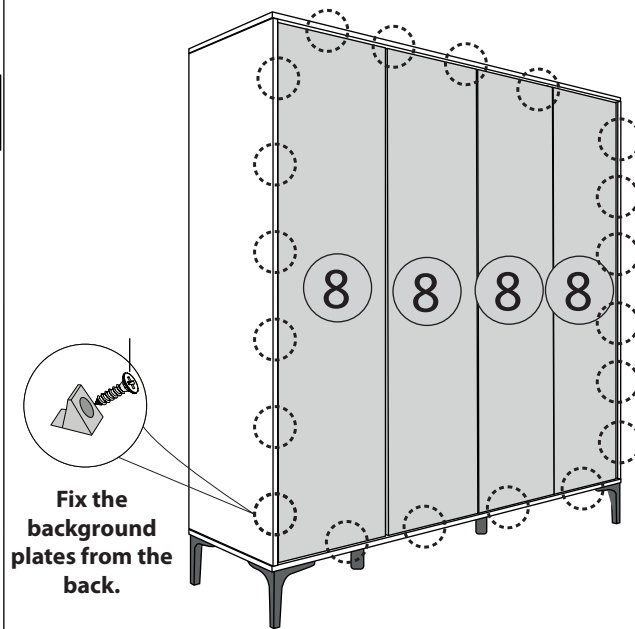
5



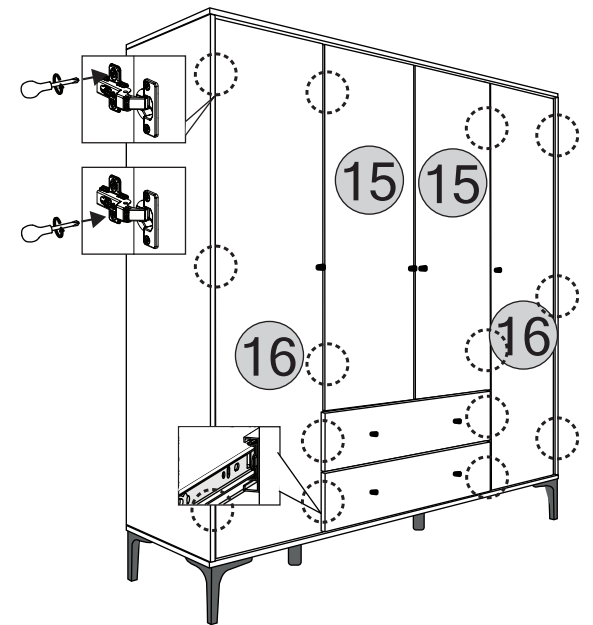
6



7



8



9