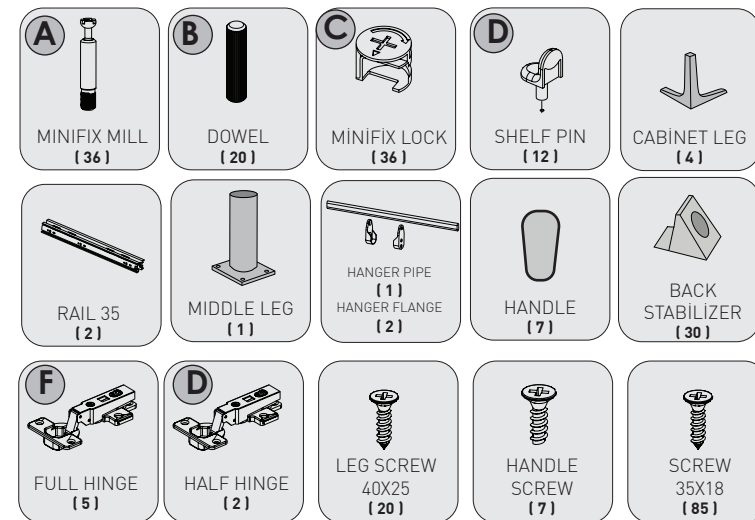
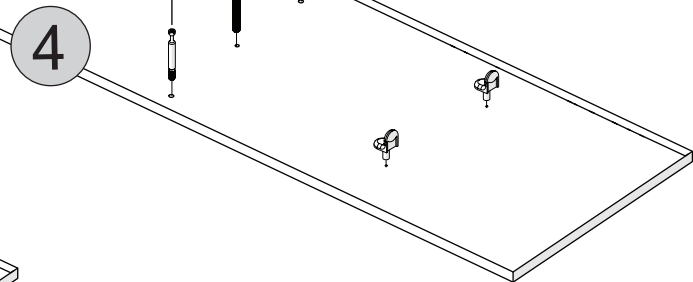
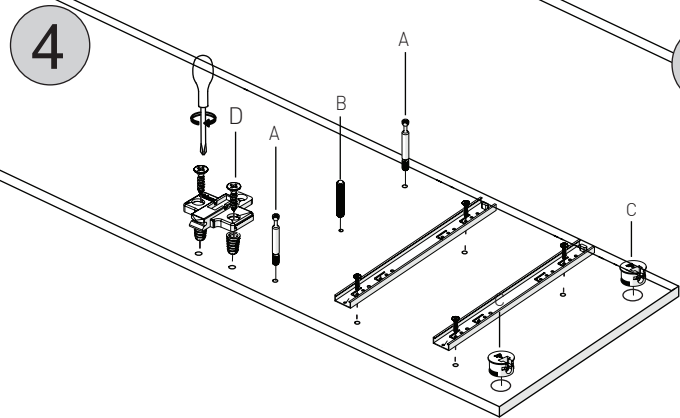
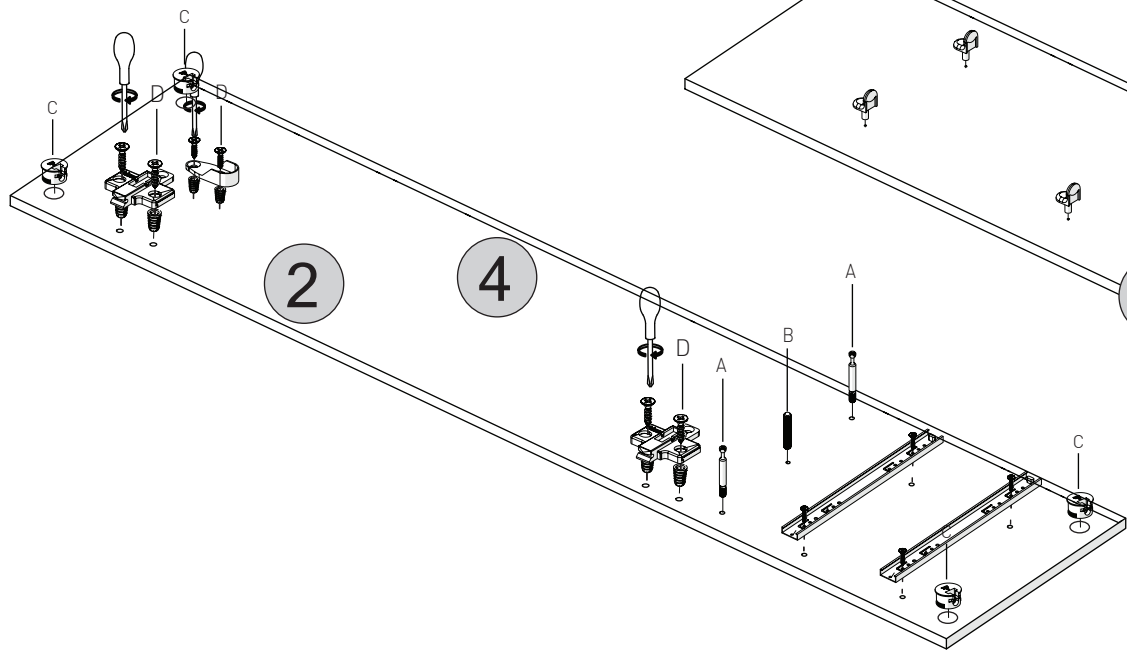
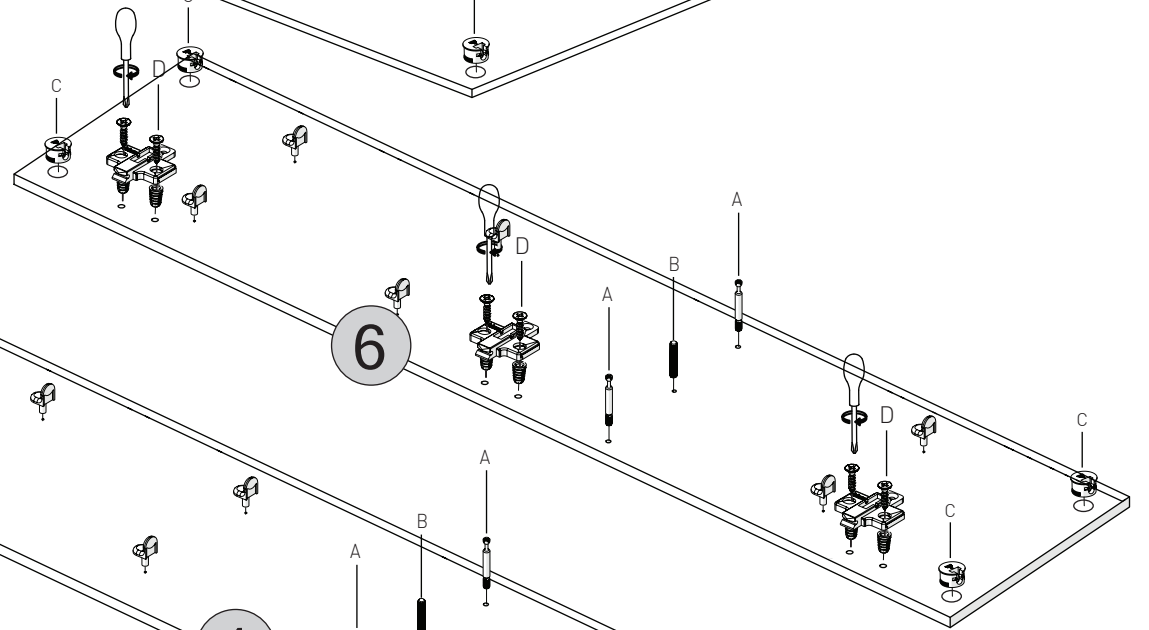
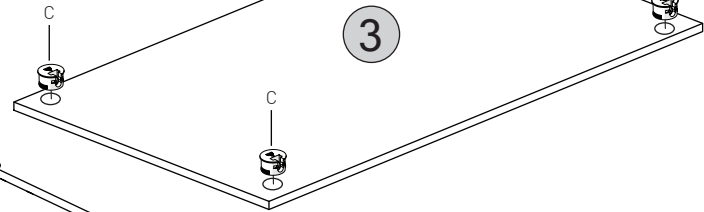
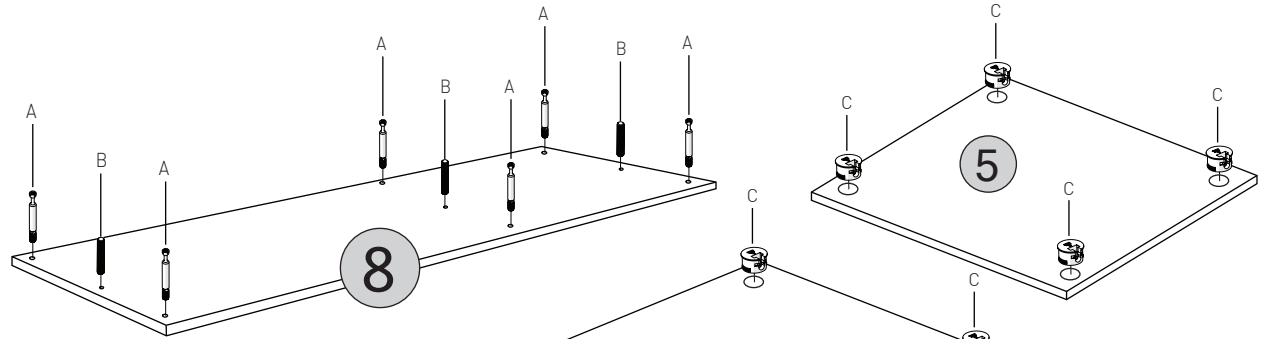
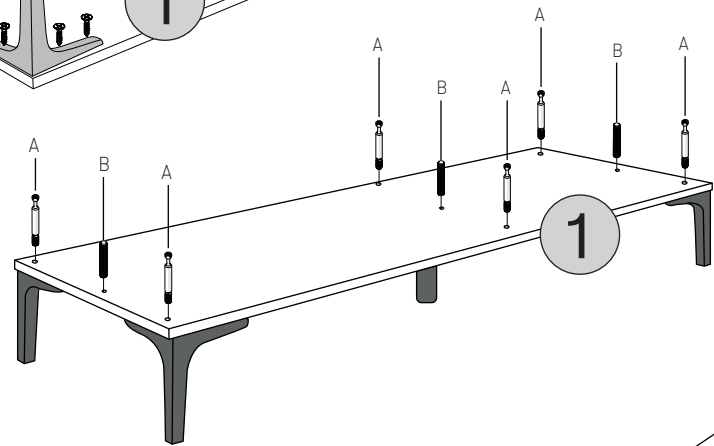
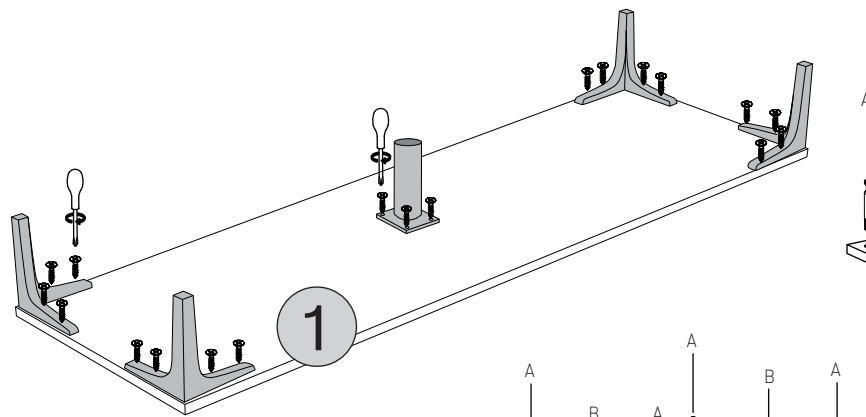
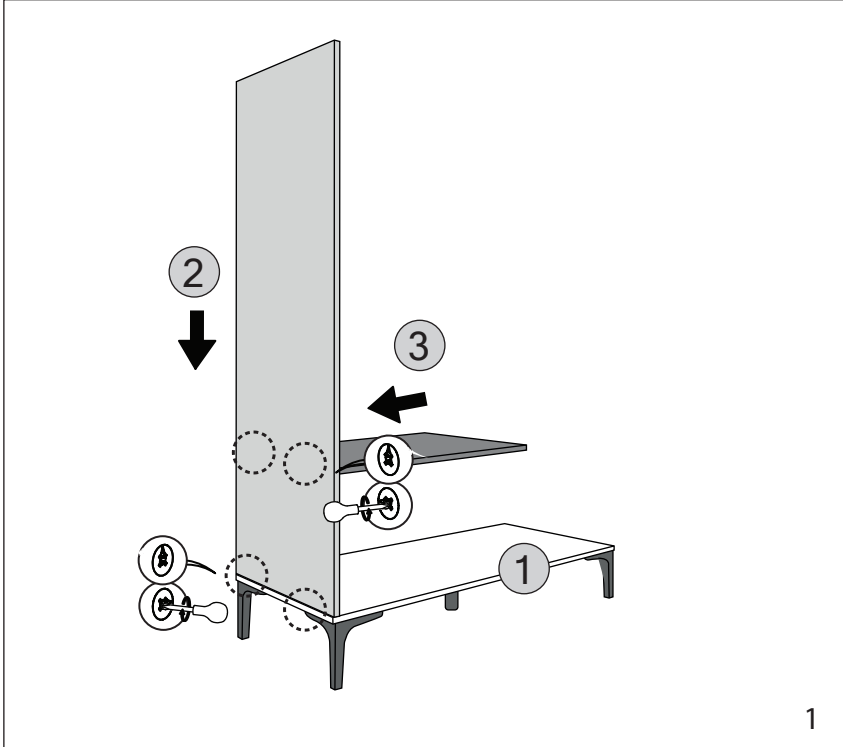
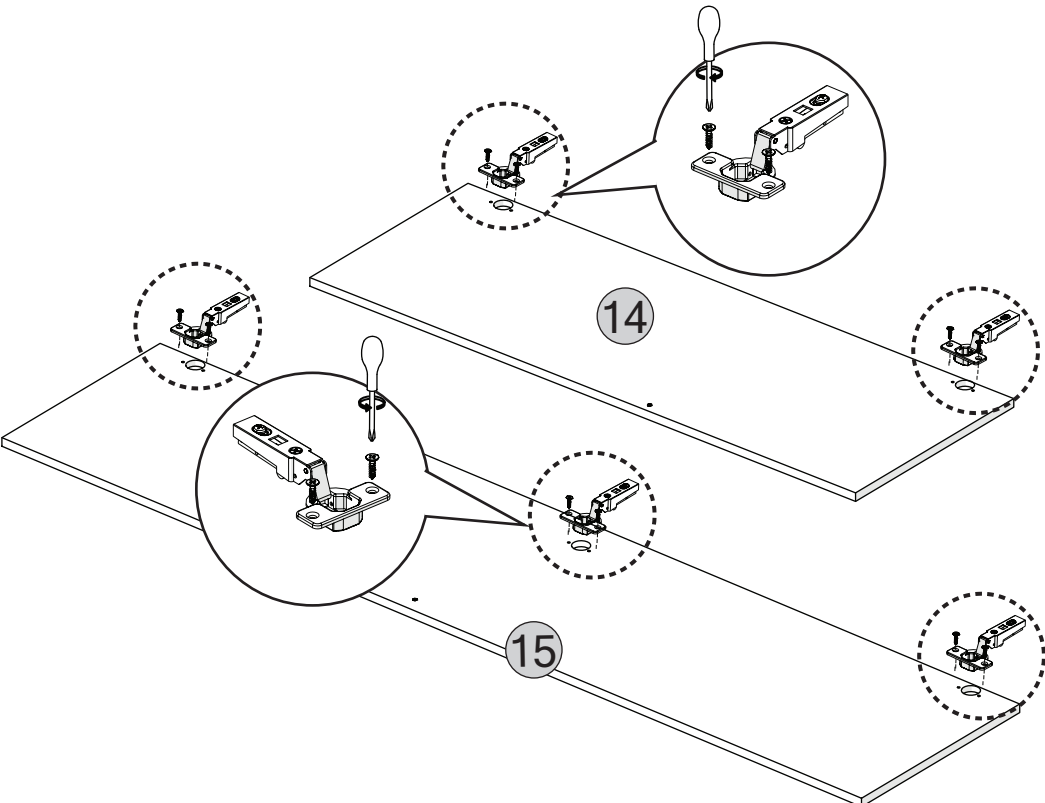


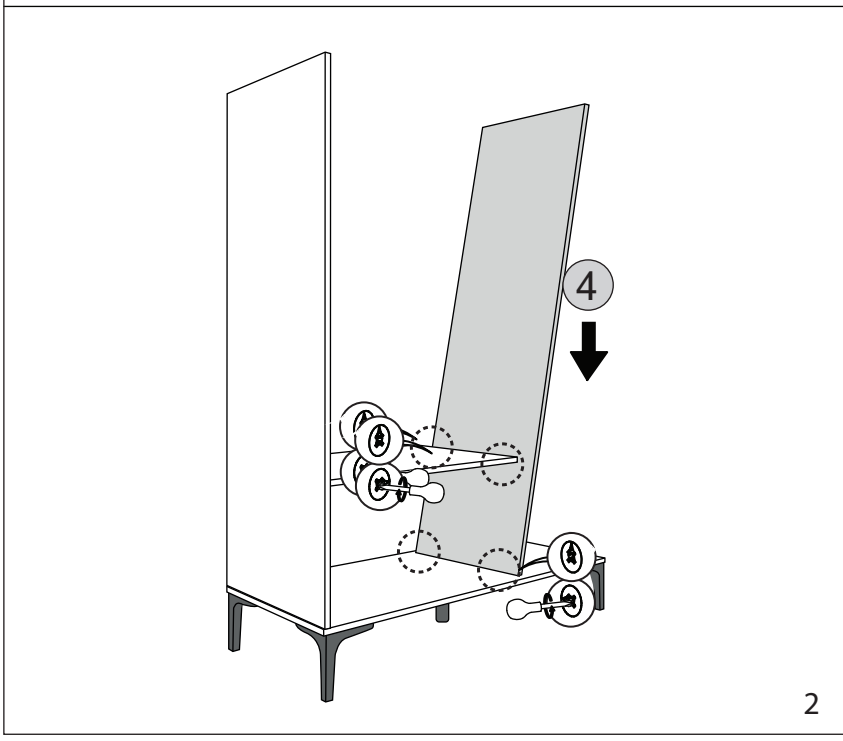
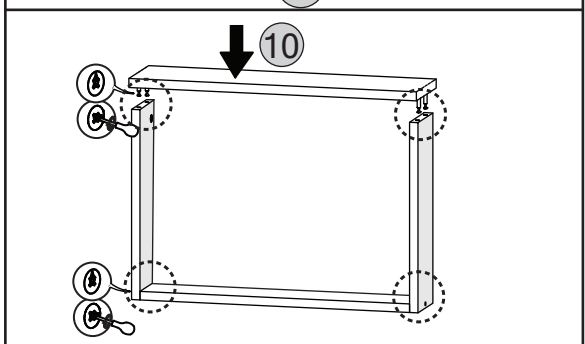
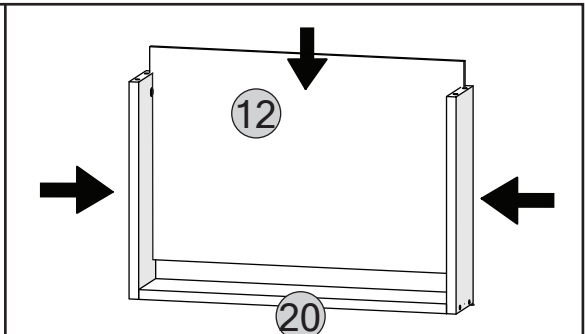
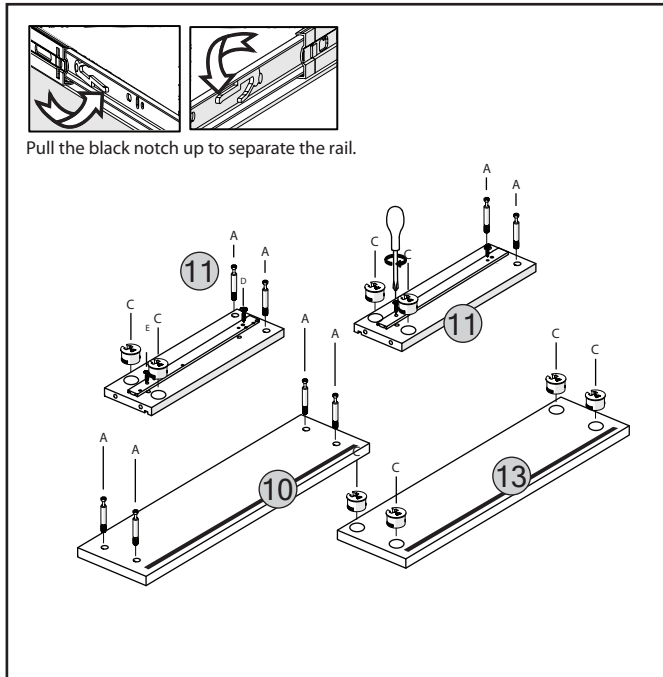
Cabinet with 3 doors & 2 drawers		
CODE	PIECE NAME	NO
1	Bottom Plate	1
2	Left vertical plate	1
3	Left-Right Steady Plate - Middle	1
4	ORTA DIKME	1
5	Left Steady Plate - Right	1
6	Right Vertical Plate	1
7	Background Plates	1
8	Top Plate	1
9	Moveable Shelves	3
10	Drawer Door	2
11	Drawer Side Plates	4
12	Drawer Bottom Plate	2
13	Drawer Back Plate	2
14	Cabinet Doors - Right Middle	2
15	Cabinet Doors - Left	1
16		
17		



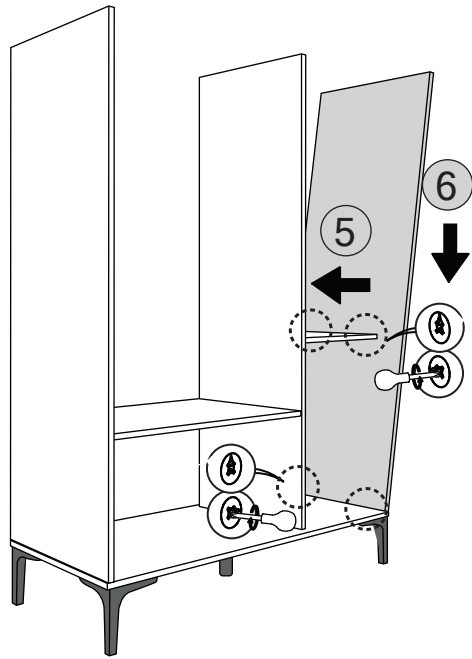




1



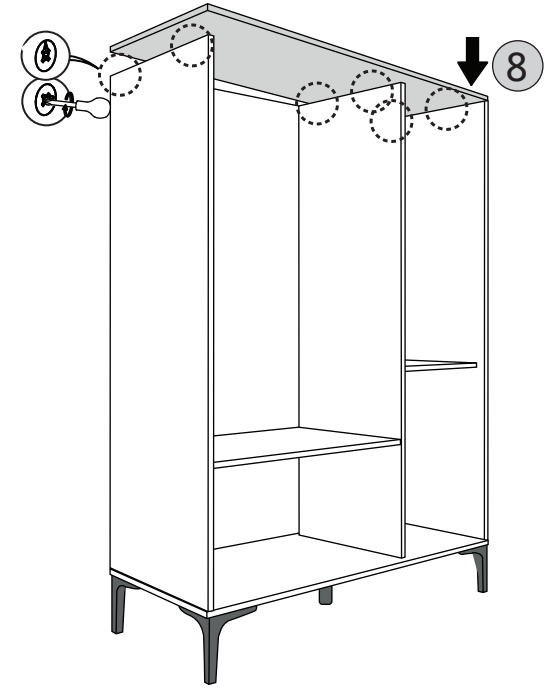
2



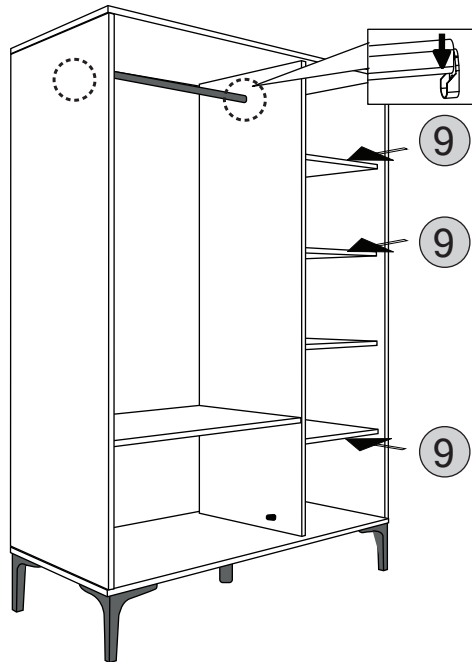
3



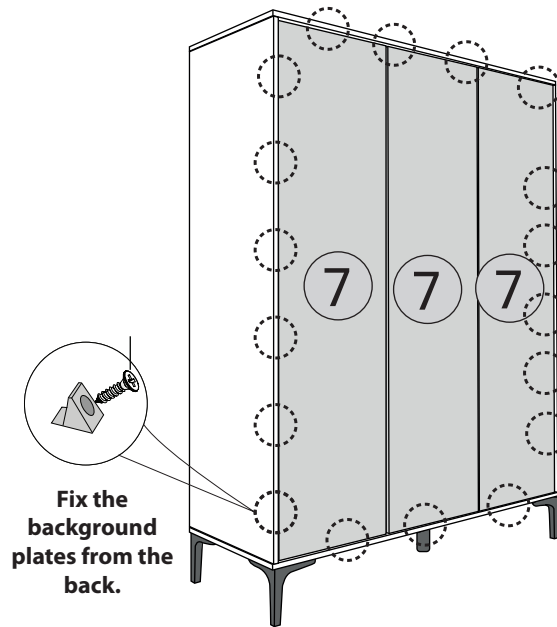
4



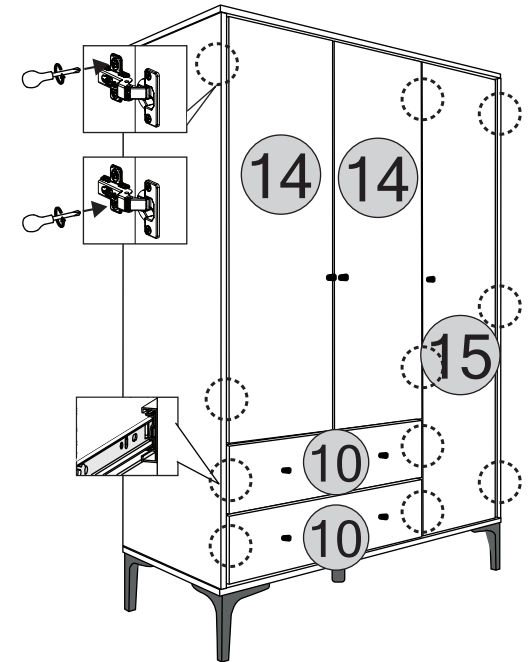
5



6



7



8