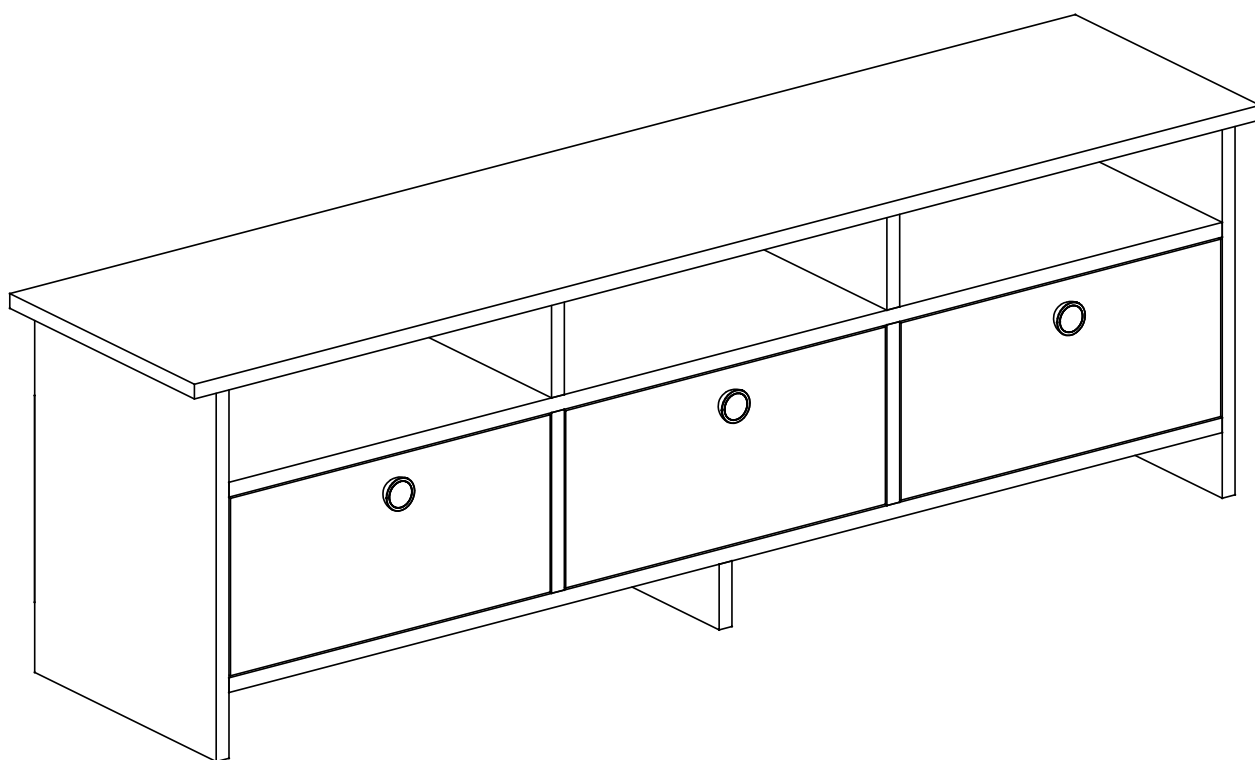
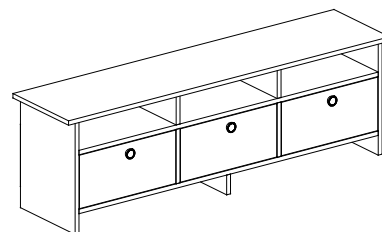


OSLO



Dear Customer,

We design and produce our products for people to love and have fun with them as we do.

The product you bought was subjected to all sorts of tests and control before sending out to you.



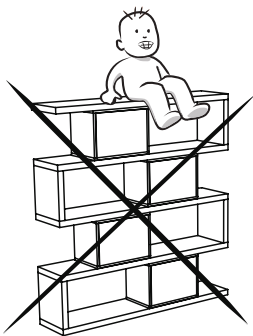
Before start assembling, please check the whole components and accessories according to the lists. If you bought more than one product, to prevent confusion be sure that you completed the first product. Then start the other product's assembling.



Before start assembling, please clean all the components with a damp cloth. Also for usual cleaning, this will be enough.



Although all the products are produced and packed carefully, sometimes happen that some component is damaged during the transportation. In such a case please check the missing or damaged part and do not hesitate to contact us. You can send e-mail to info@inarchdizayn.com or reach us at 0541 353 1700

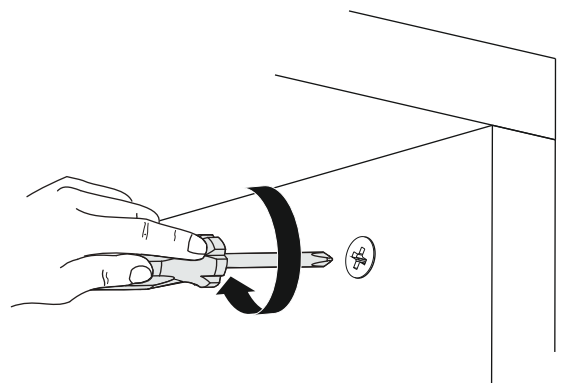
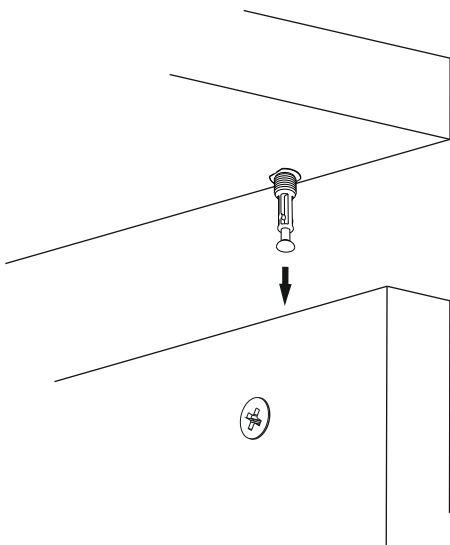
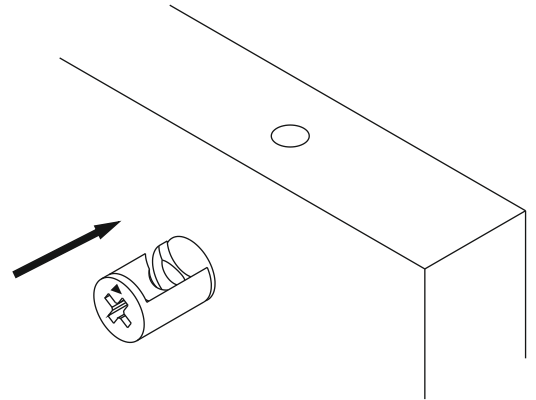
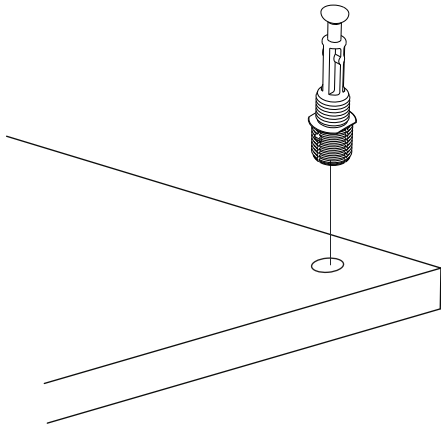
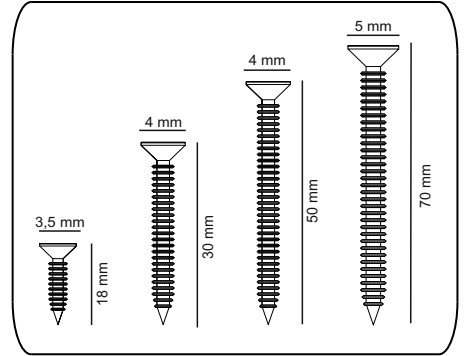
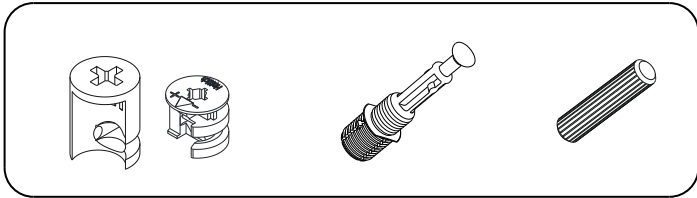


Do not use your furniture for out of purposes. If you would like to use it, please contact us for further questions.

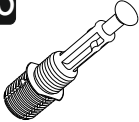
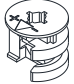
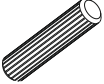

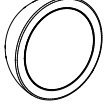
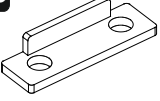
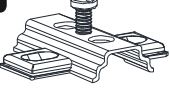
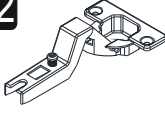
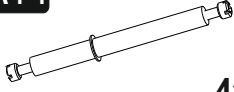
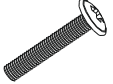


Do not directly contact your furniture with excessive heat, cold and humidity because the product can be affected..

ATTENTION !!

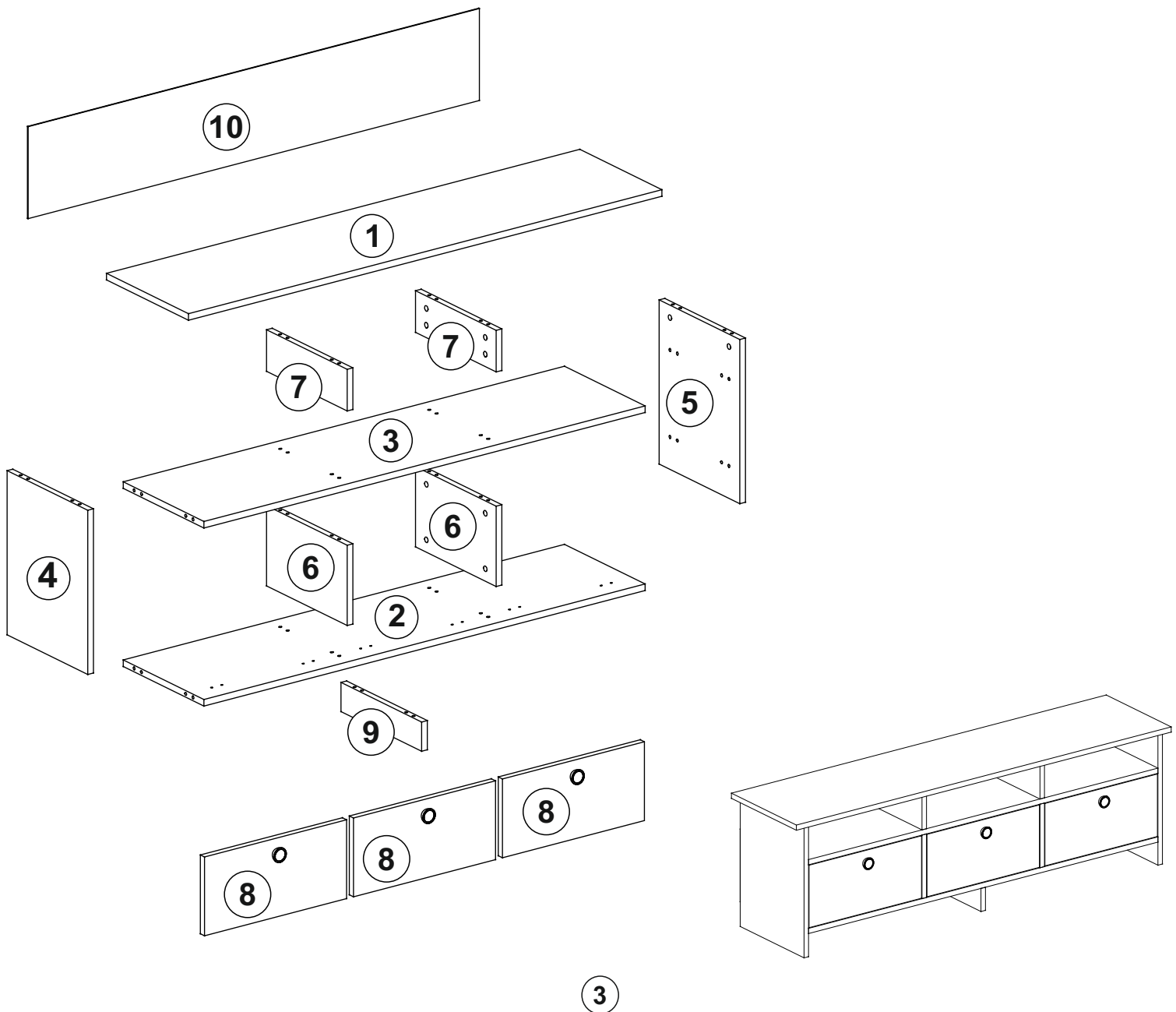
Minifix is the main connection material used in products. Before starting assembly, please check the drawings below.



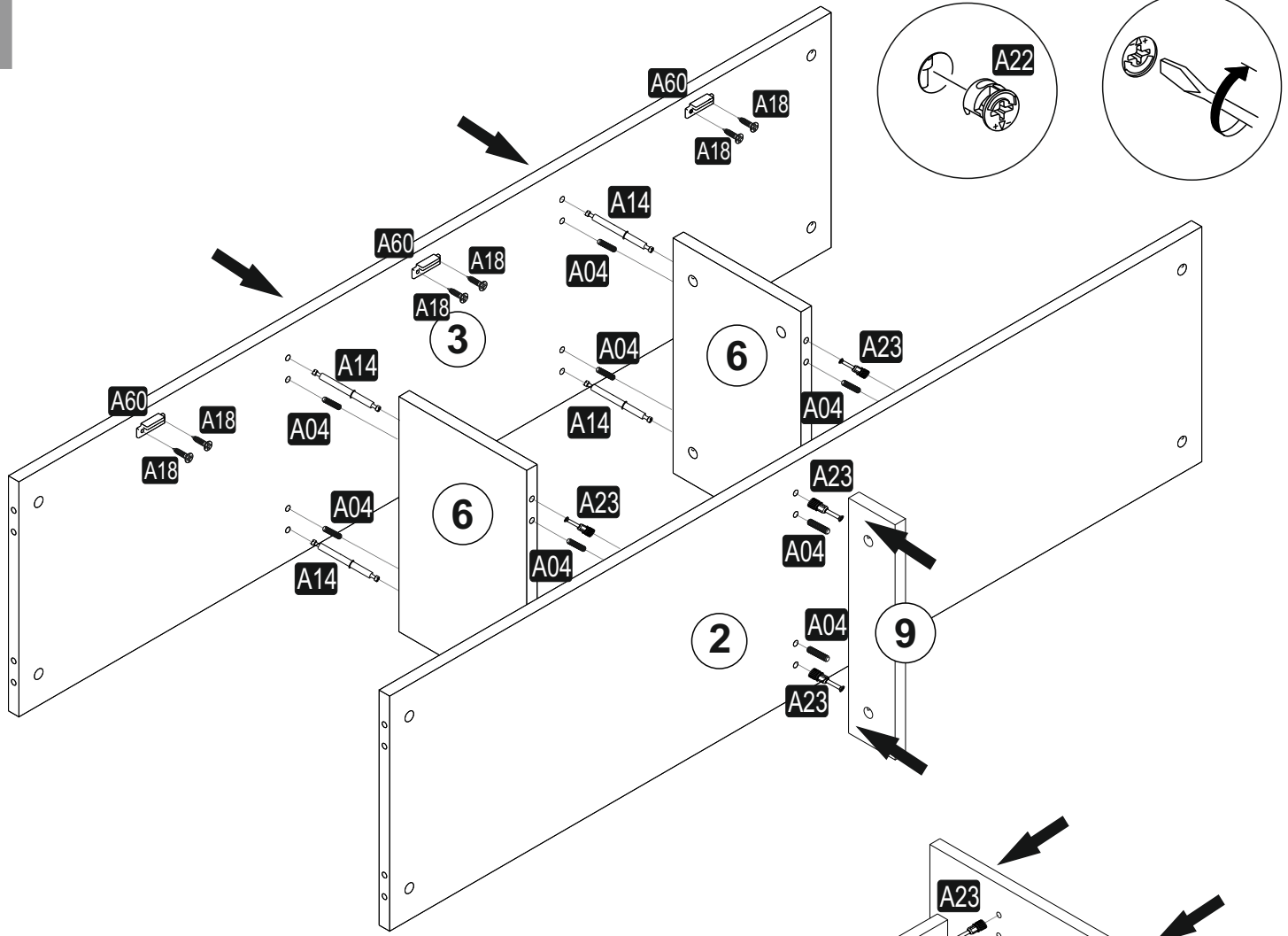
ACCESSORY LIST

A23 Minifix M8  22x	A22 Minifix G18  30x	A04 KVLV  30x	A48 AC  36x	K26 DGM KLP  3x
A60 KPK STPR  BYZ 3x	C04 MA  6x	C02 SDM  6x	A14 UM  84 mm 4x	A49 KLPVD  22mm 3x
A18 3,5x18  30x	A06 18 mm  BYZ 30x			

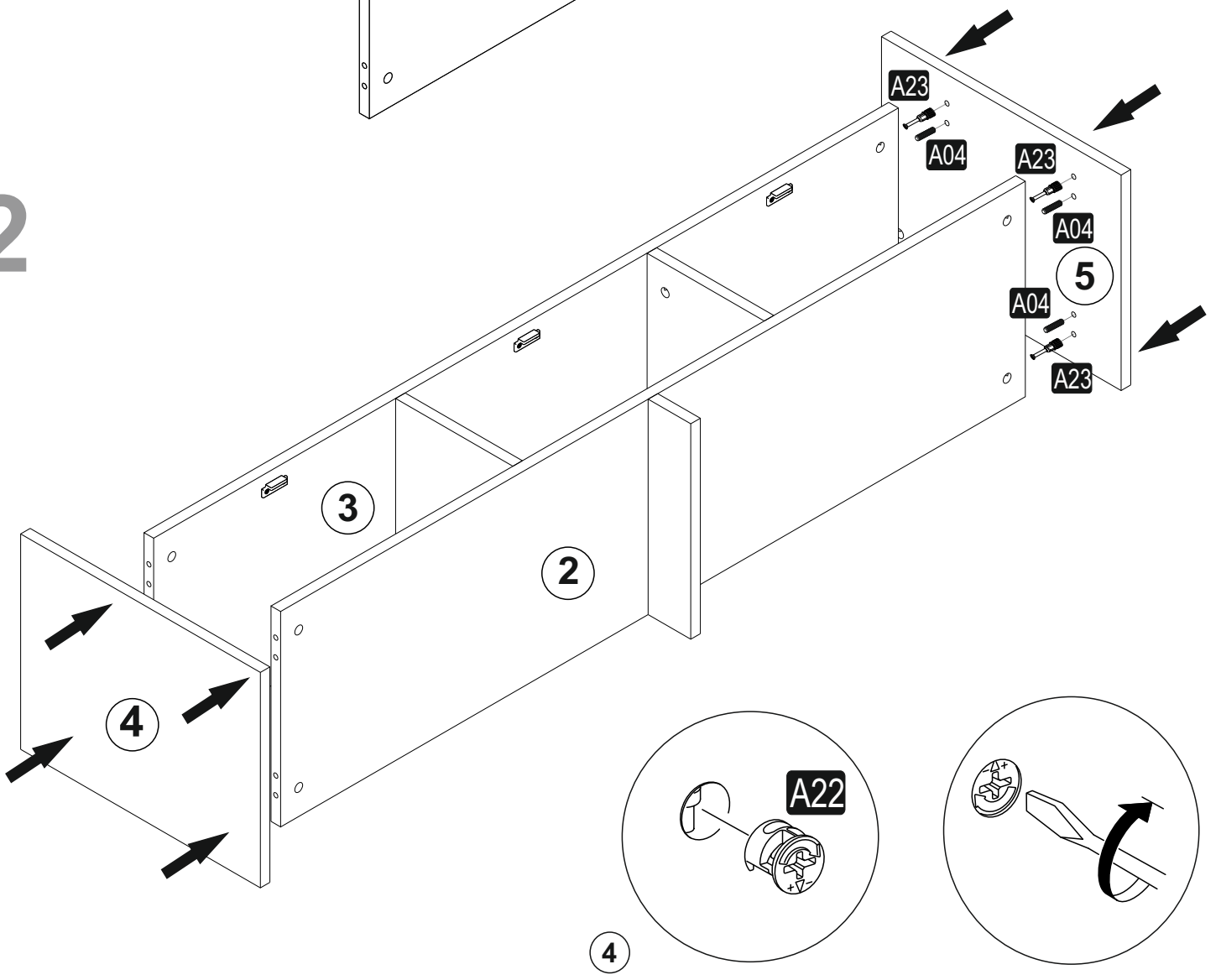
GENERAL VIEW



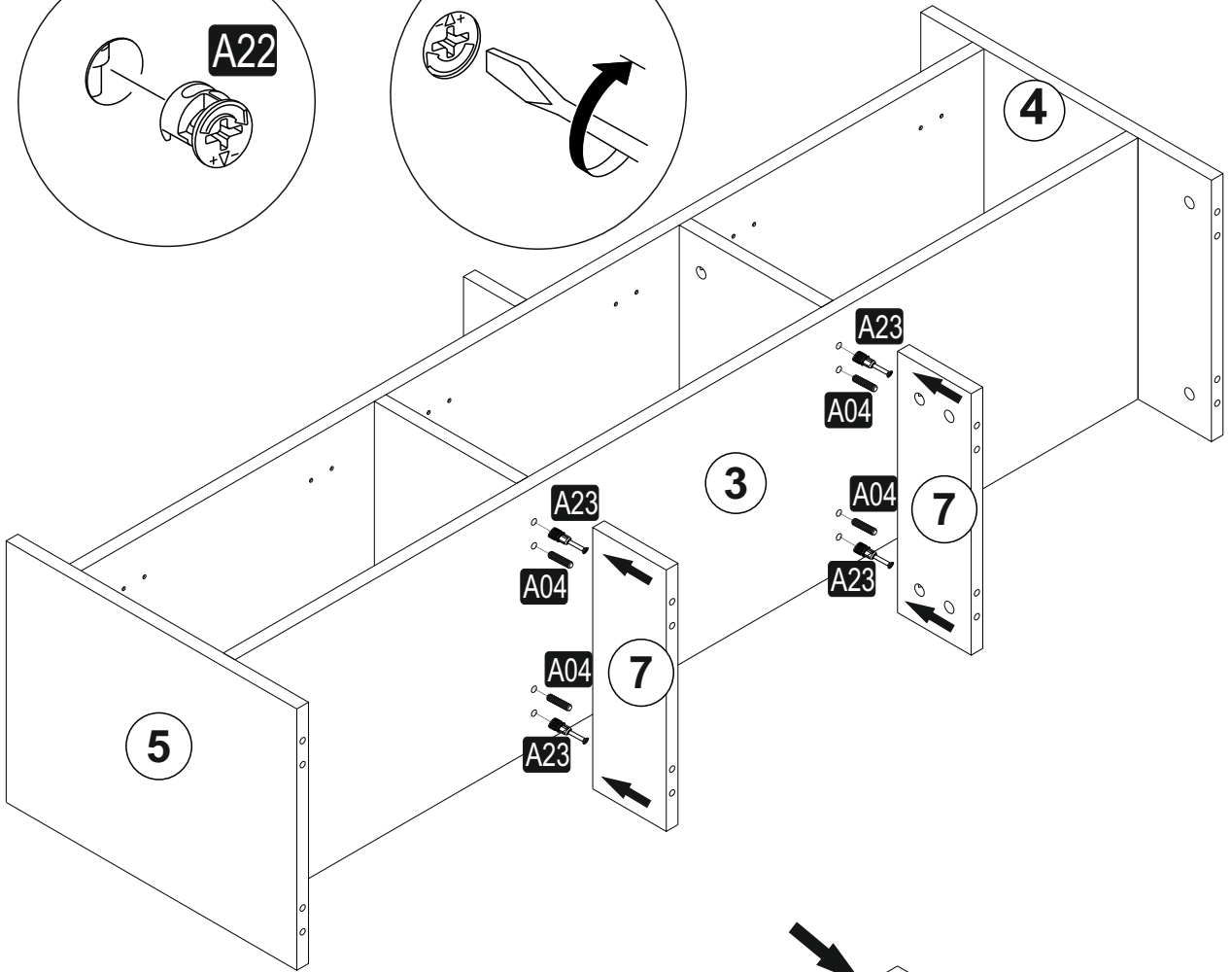
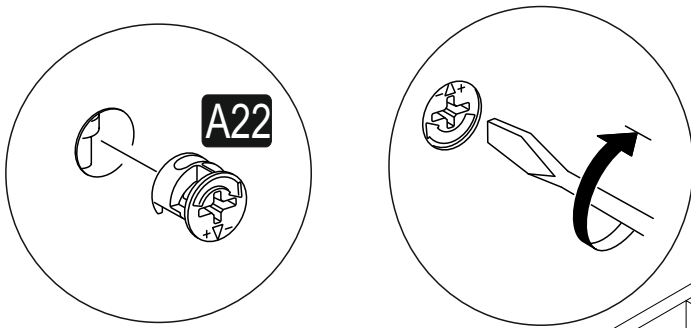
1



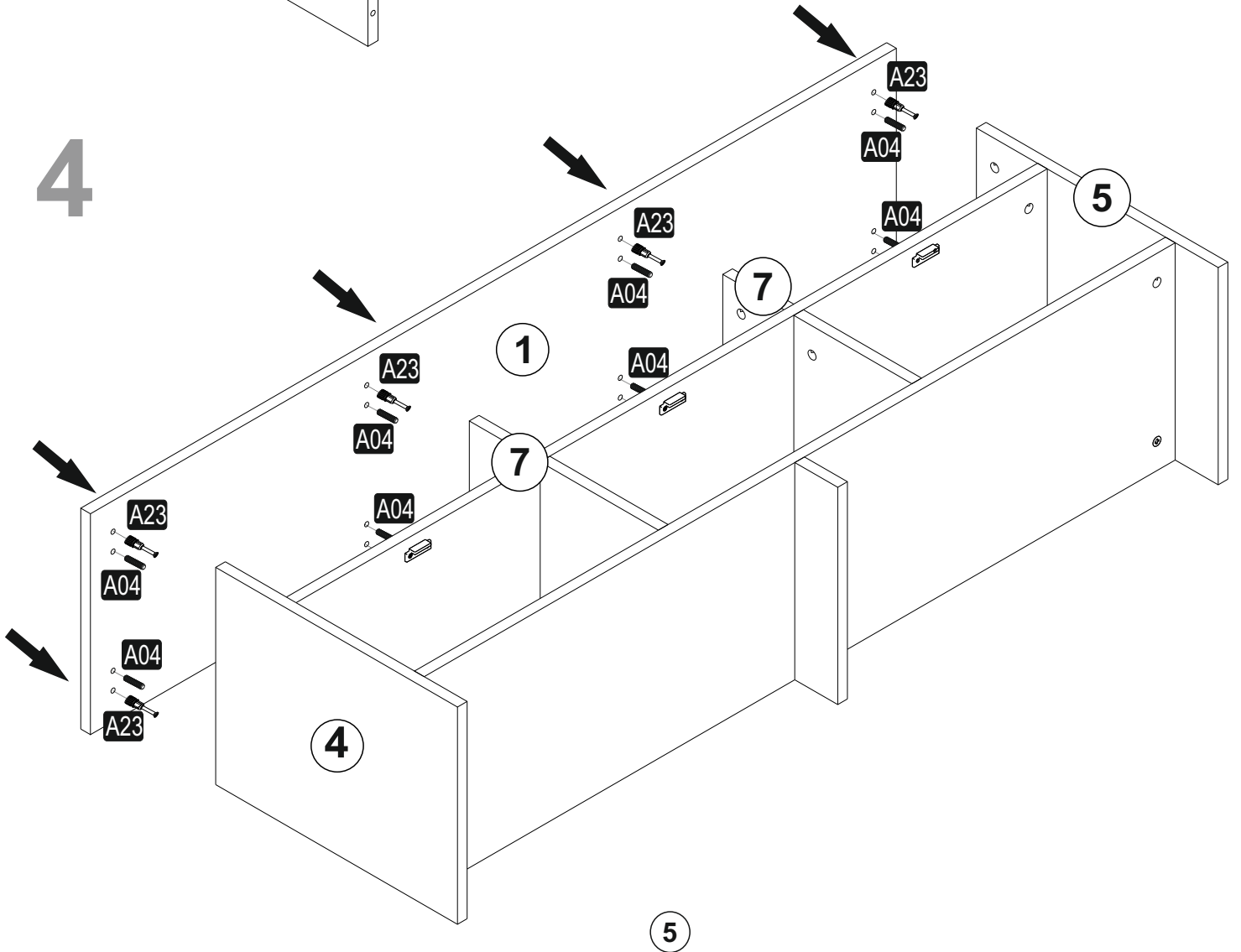
2



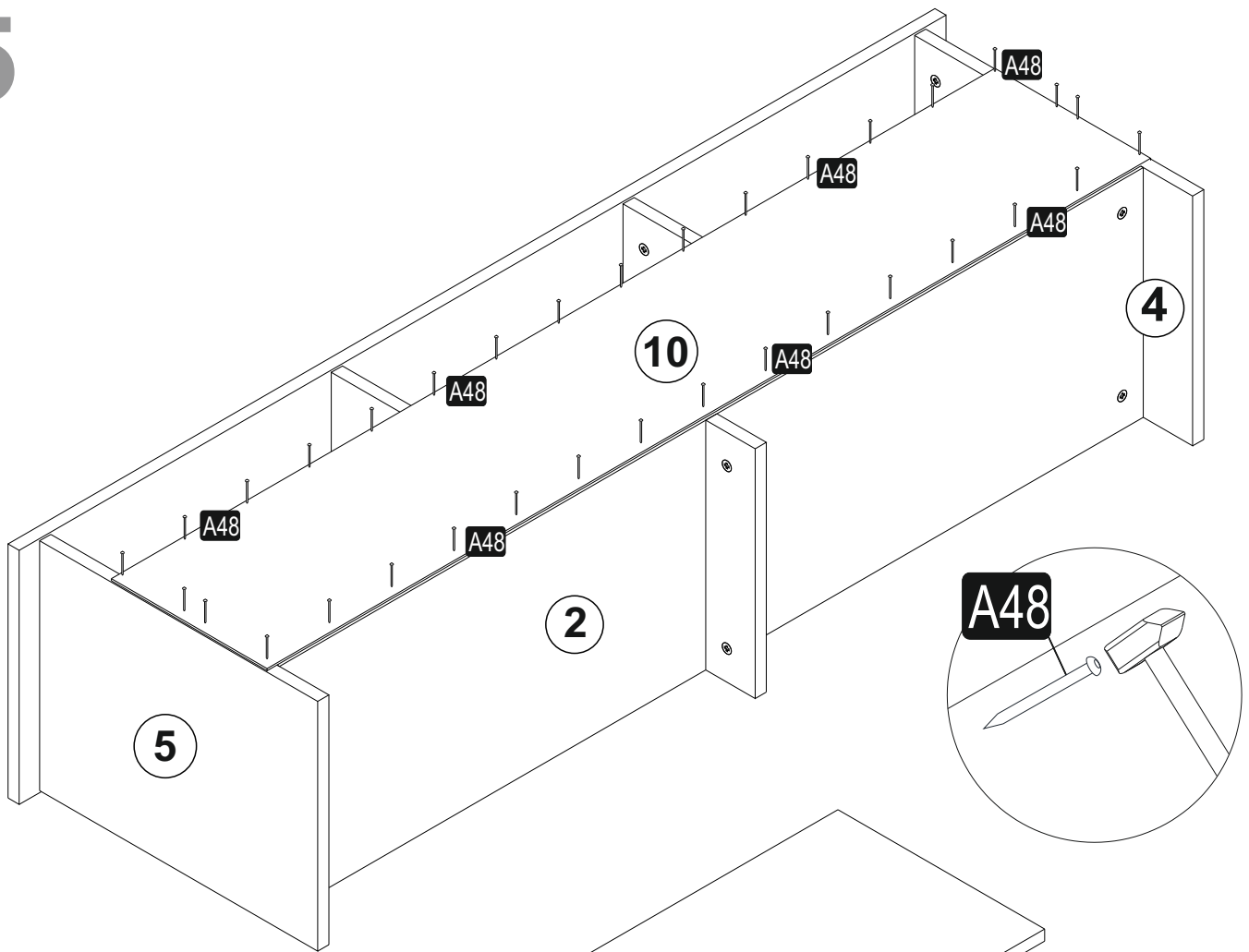
3



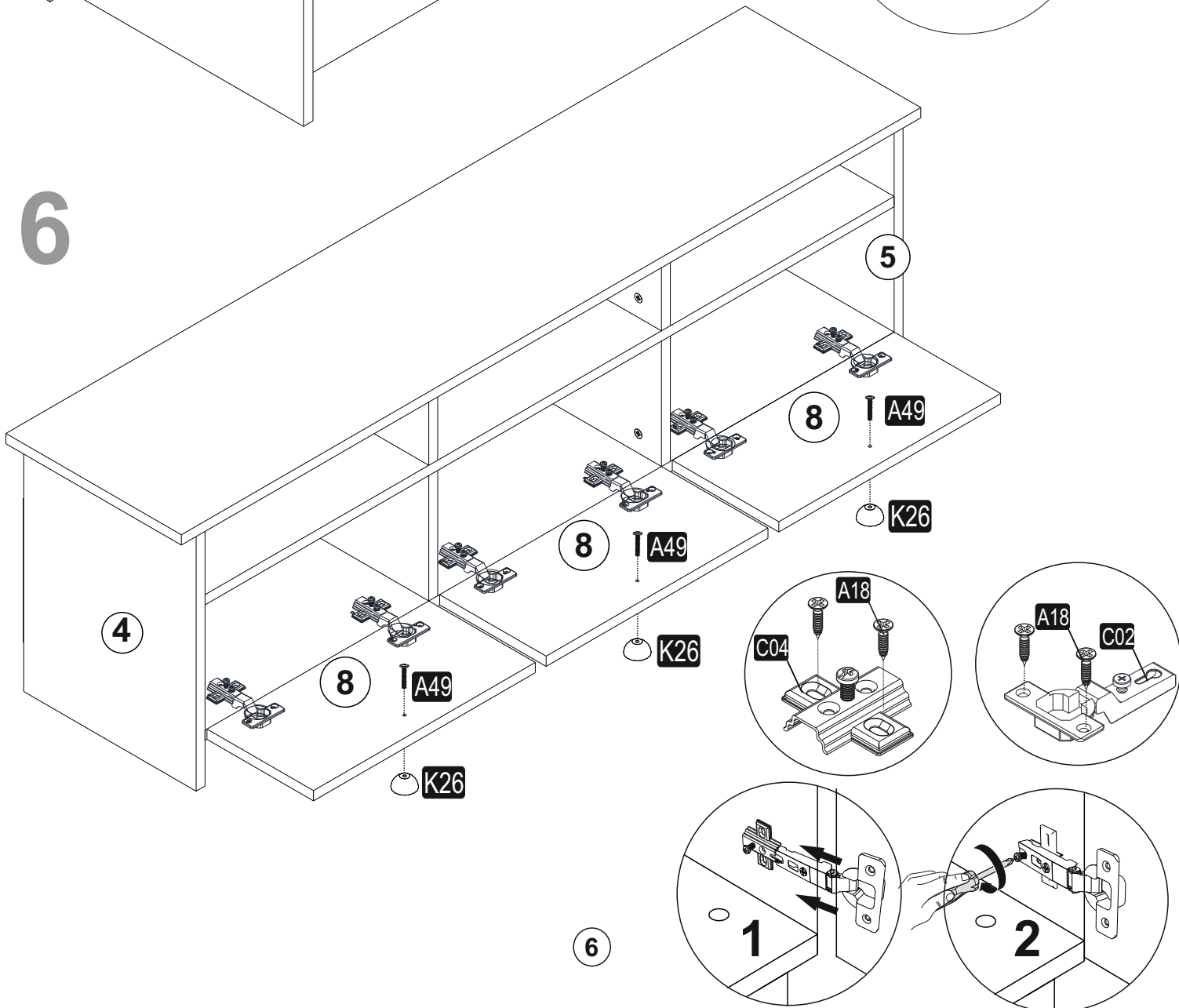
4



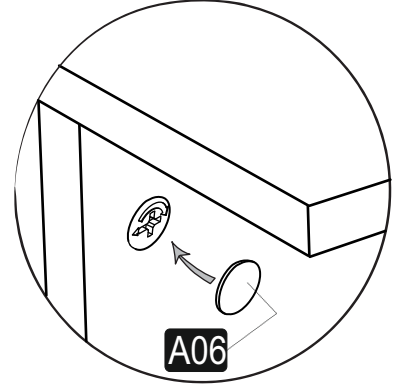
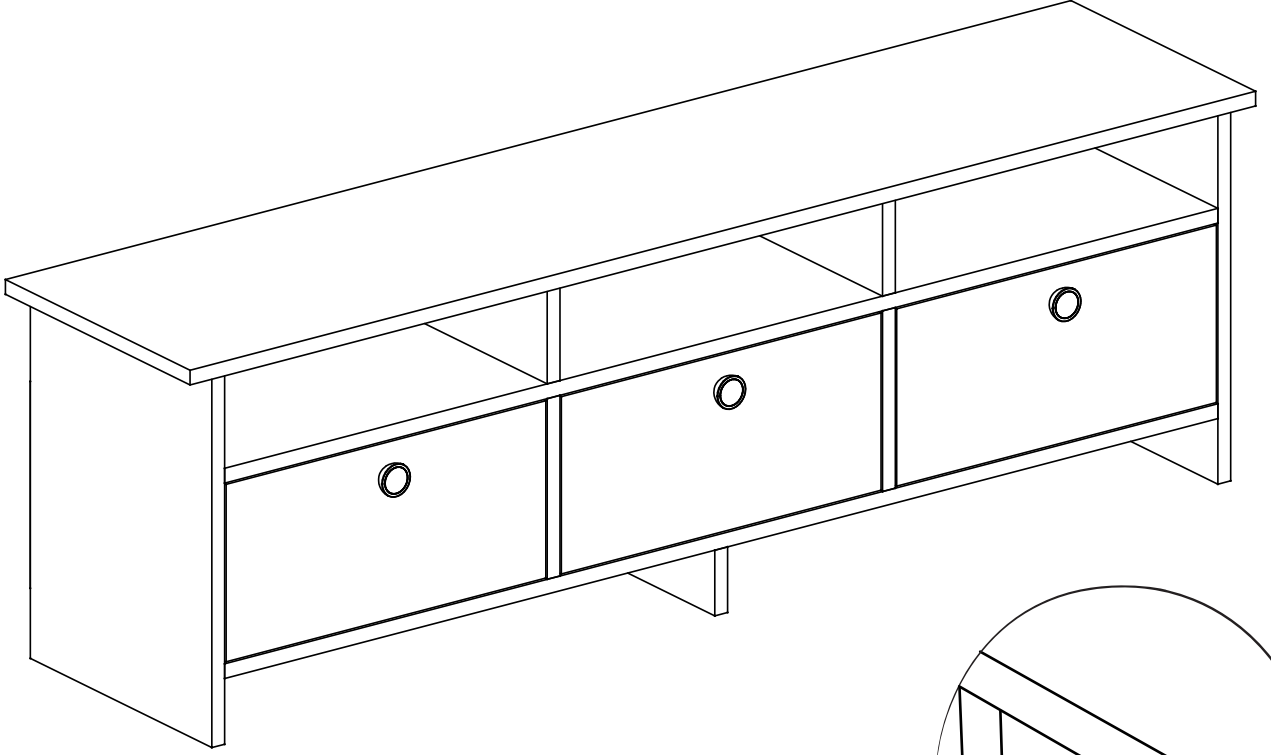
5



6



7



8

A= menteşe bağlama vidası / to connect the hinge to the door
B = kapak ayar vidası / to arrange the door

oklar kapağın ayarlama yönünü gösterir.
arrows to show the directions for arrangement of doors.