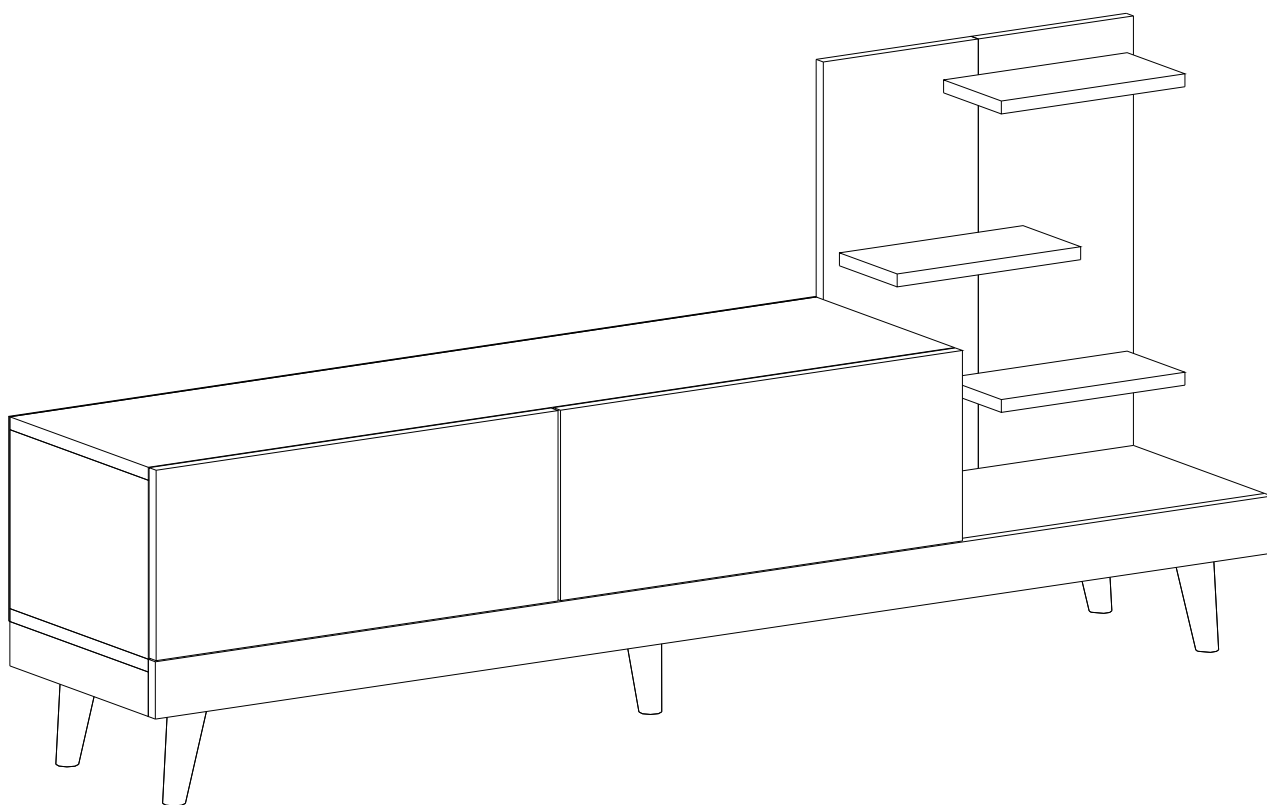
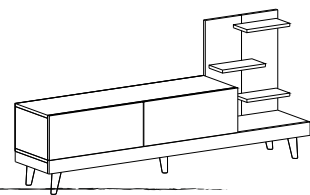


DIZAYN



Dear Customer,

We design and produce our products for people to love and have fun with them as we do.

The product you bought was subjected to all sorts of tests and control before sending out to you.



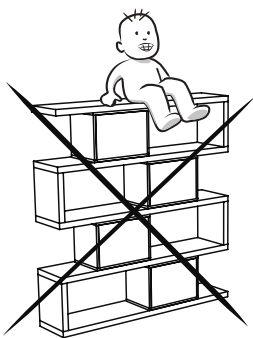
Before start assembling, please check the whole components and accessories according to the lists. If you bought more than one product, to prevent confusion be sure that you completed the first product. Then start the other product's assembling.



Before start assembling, please clean all the components with a damp cloth. Also for usual cleaning, this will be enough.



Although all the products are produced and packed carefully, sometimes happen that some component is damaged during the transportation. In such a case please check the missing or damaged part and do not hesitate to contact us. You can send e-mail to info@inarchdizayn.com or reach us at 0541 353 1700

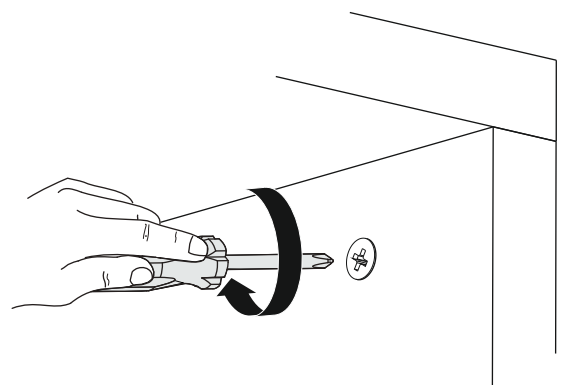
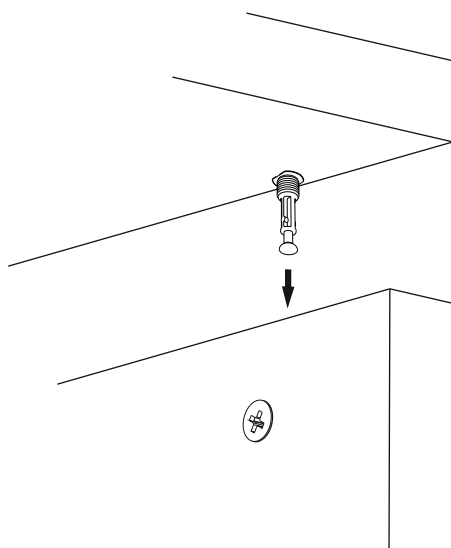
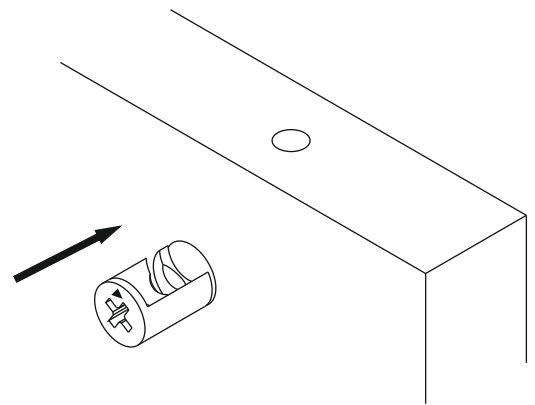
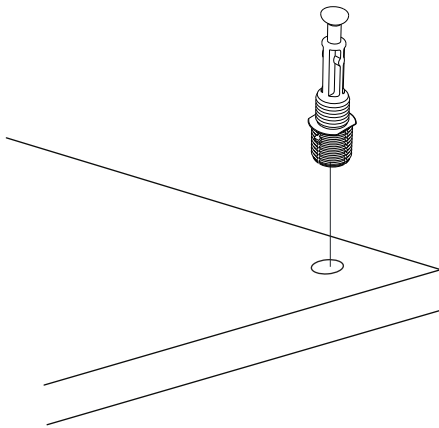
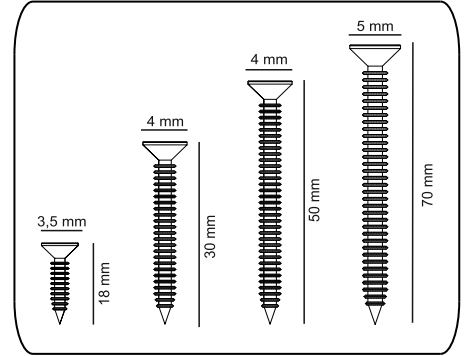
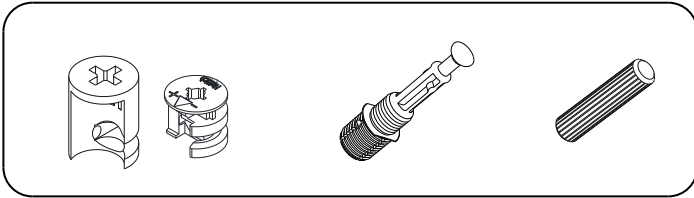


Do not use your furniture for out of purposes. If you would like to use it, please contact us for further questions.

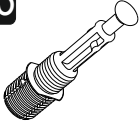


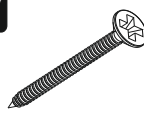
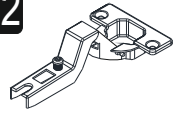
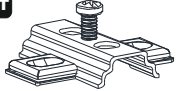
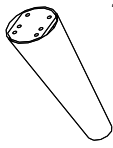






Do not directly contact your furniture with excessive heat, cold and humidity because the product can be affected..

ATTENTION !!

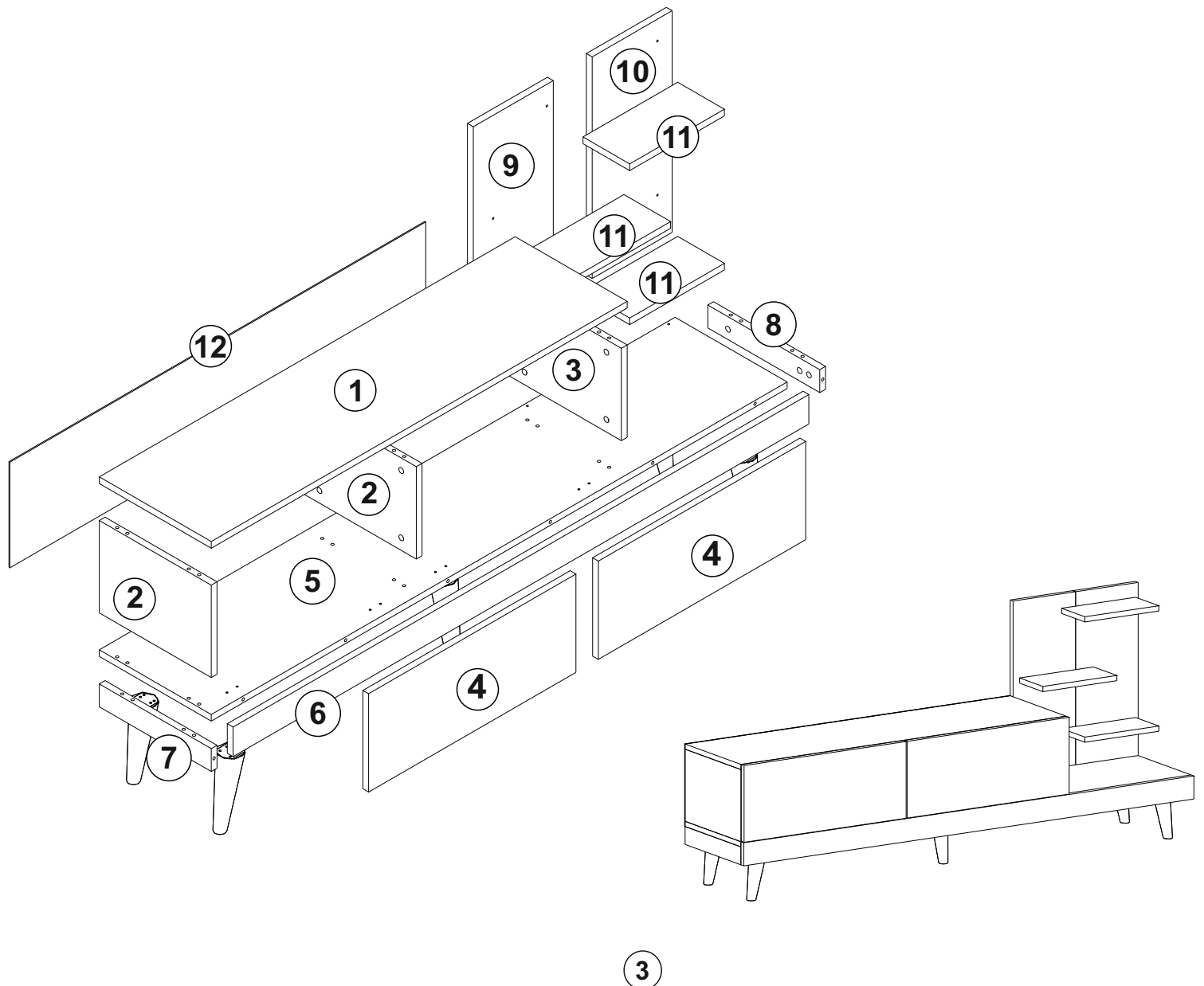
Minifix is the main connection material used in products. Before starting assembly, please check the drawings below.



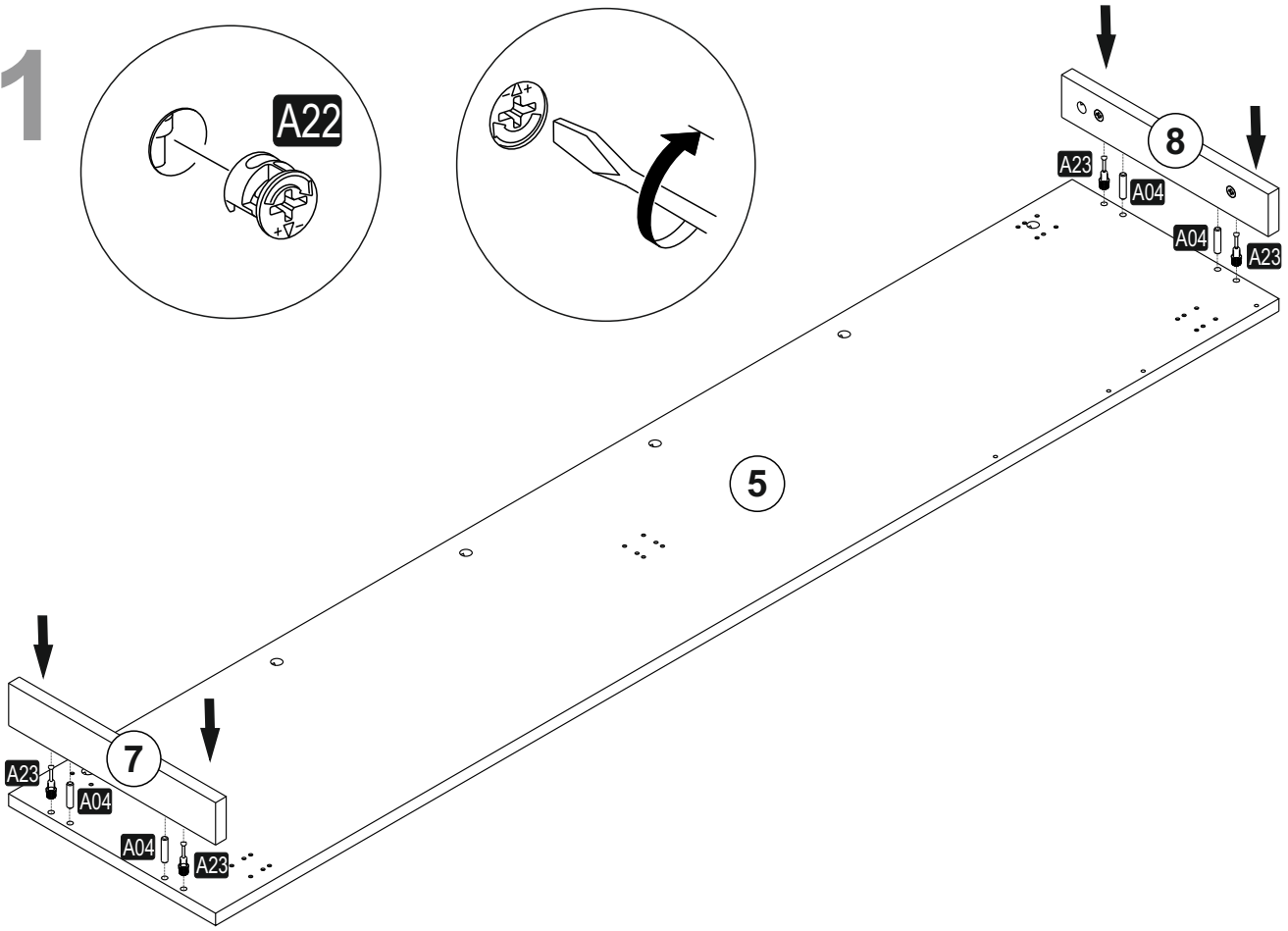
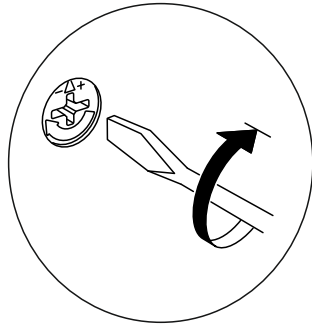
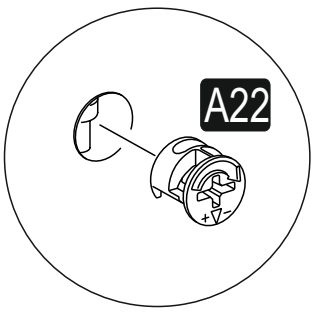
ACCESSORY LIST

A23 Minifix M8  24x	A22 Minifix G18  24x	A04 KVLV  16x	A17 4x50  12x	C02 SDM  4x
C04 MA  4x	V20 200mm  5x	A18 3,5x18  51x	A48 AC  20x	A06 18 mm  12x
A06 18 mm  CRGN 12x	A10 14mm  CRGN 10x	A10 14mm  ANT 2x		

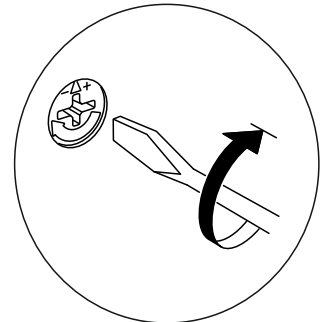
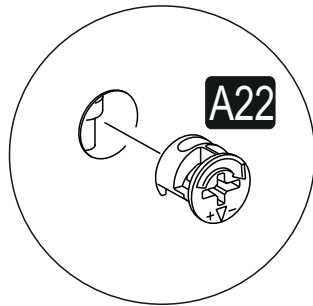
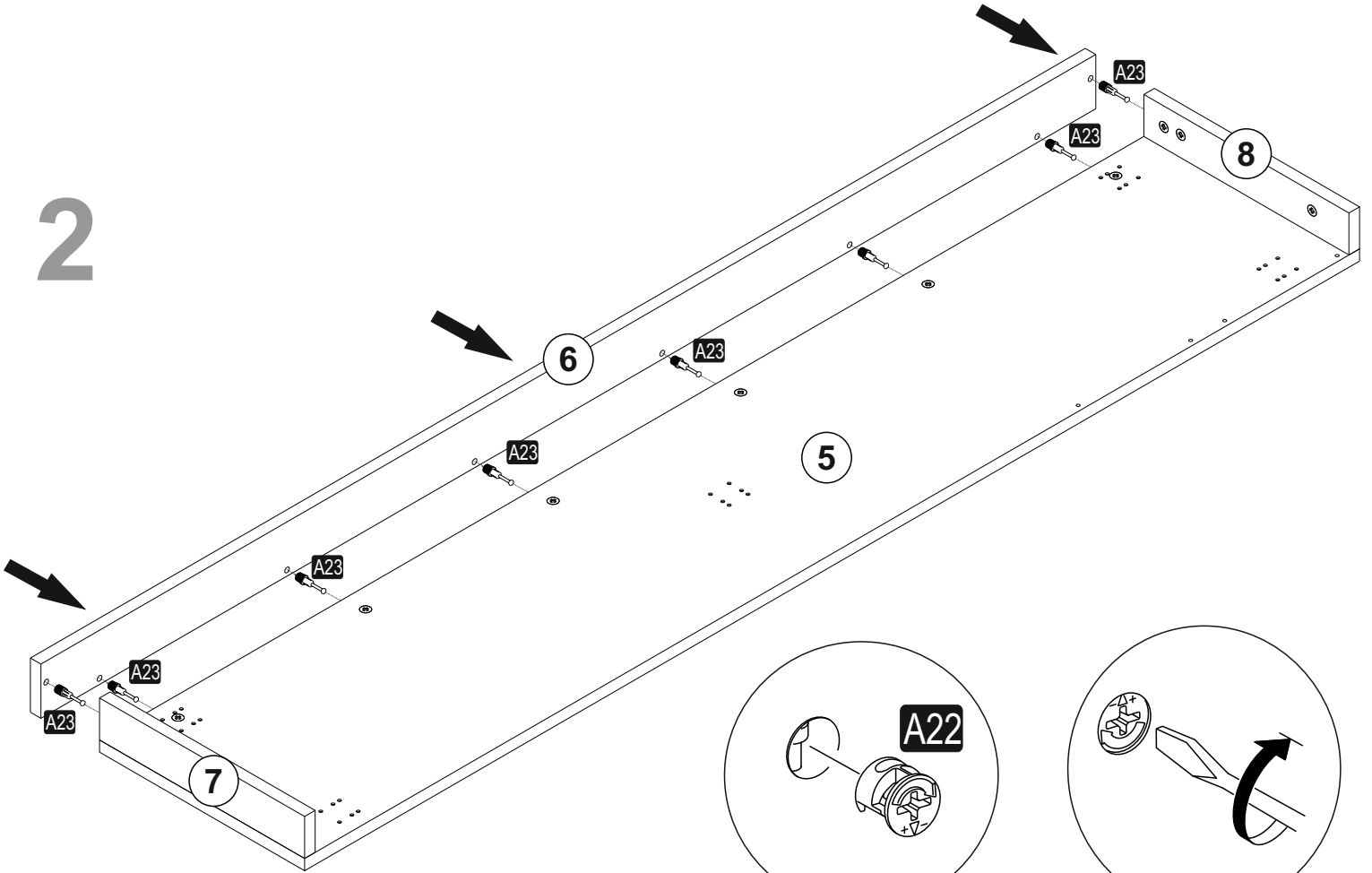
GENERAL VIEW



1

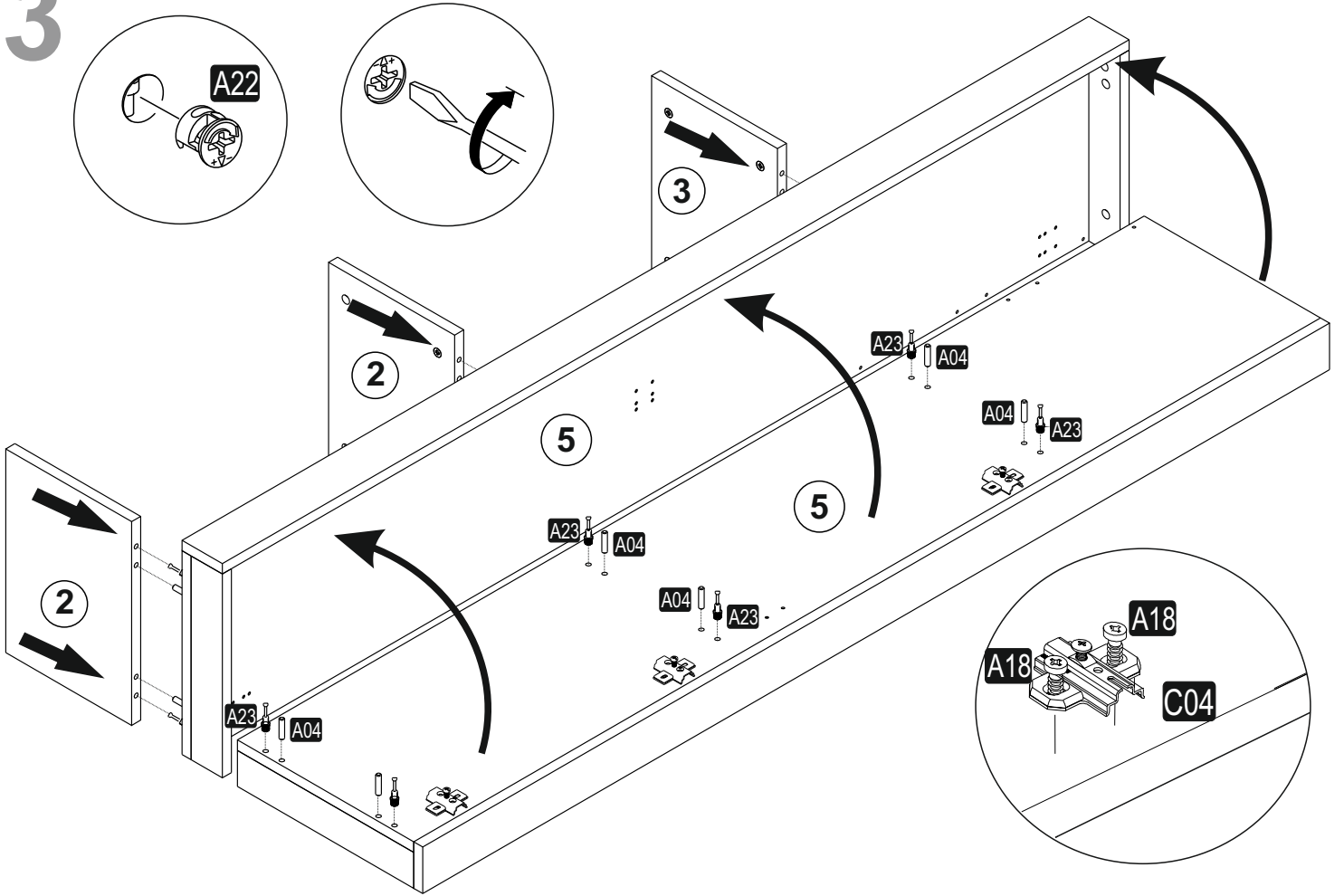


2

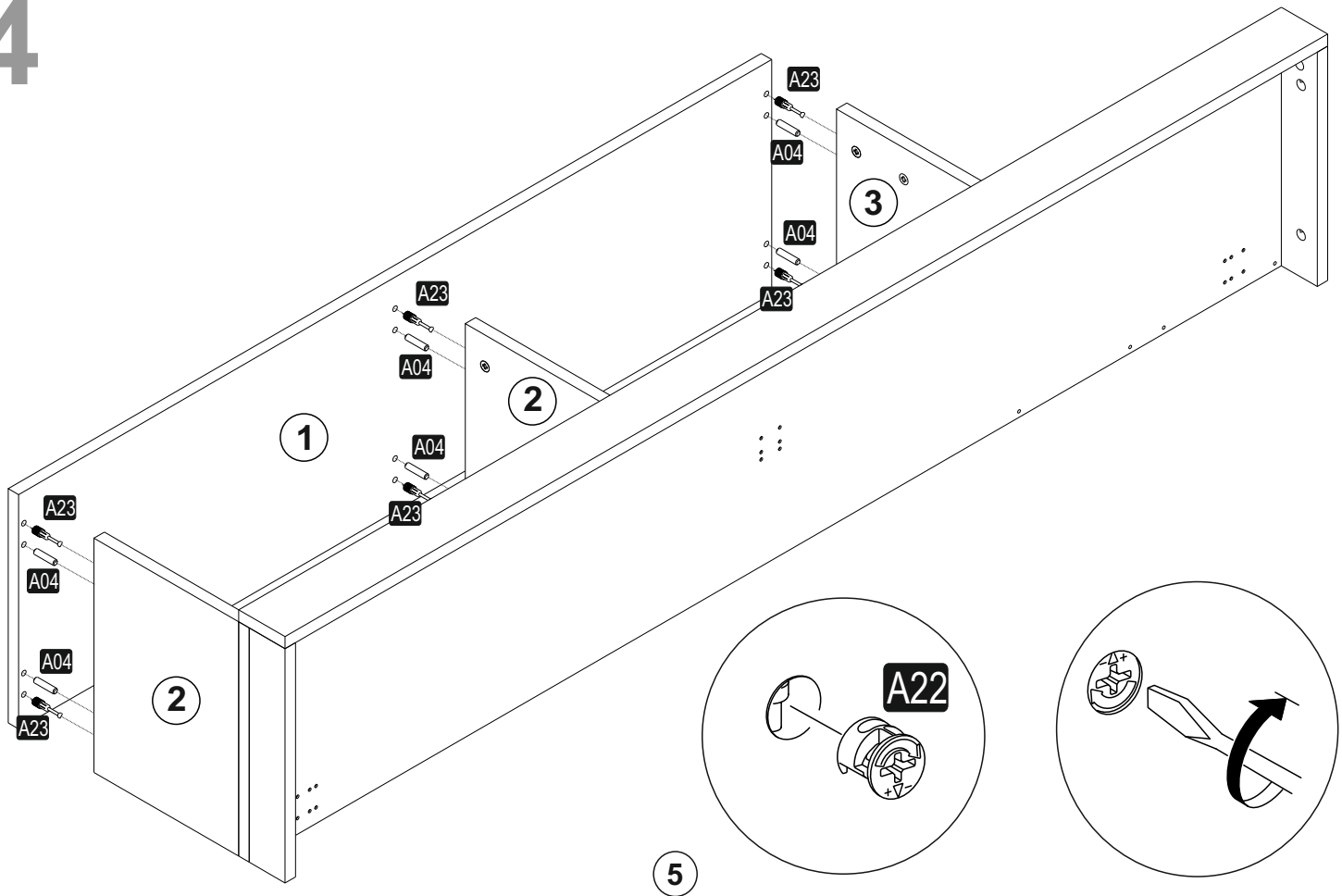


4

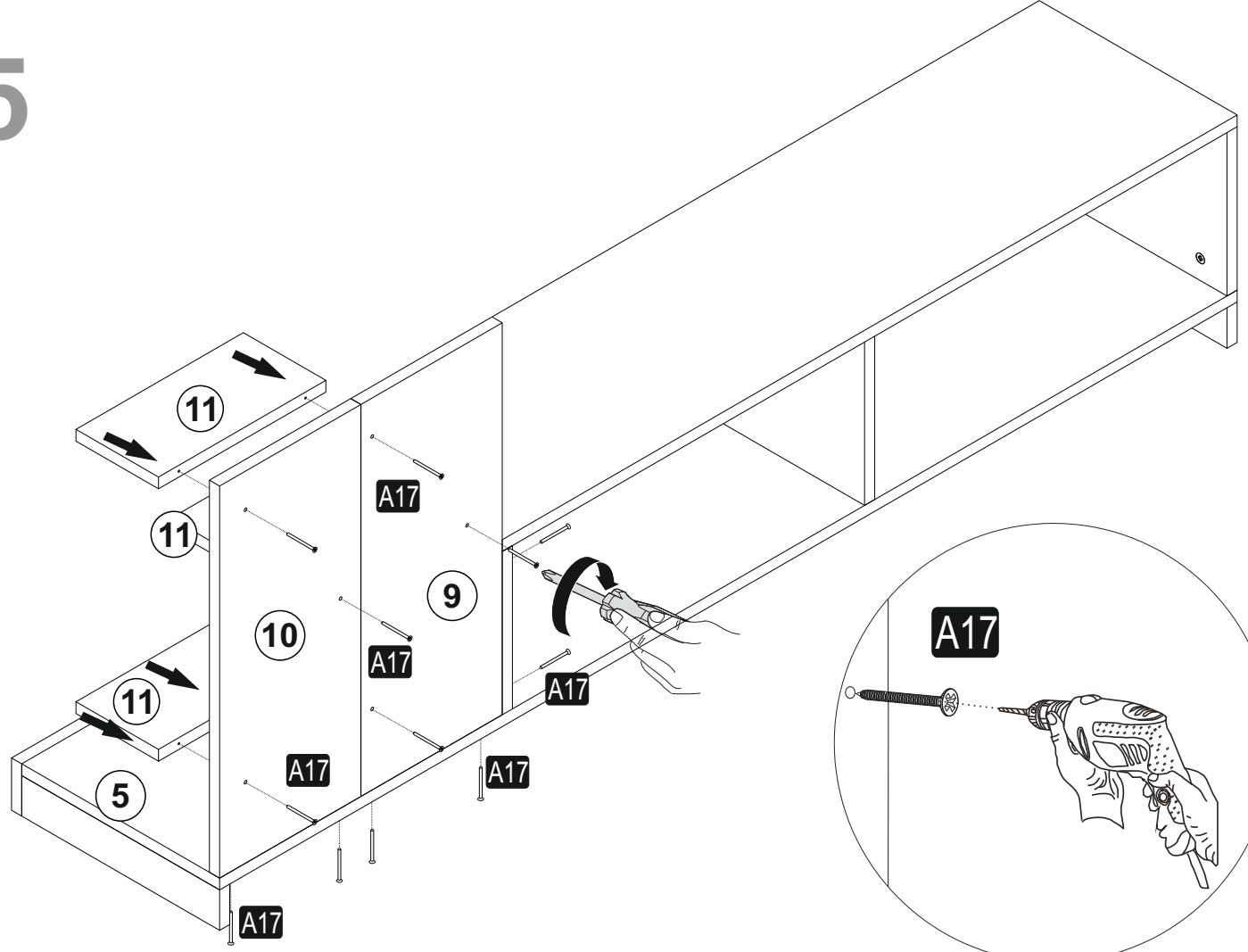
3



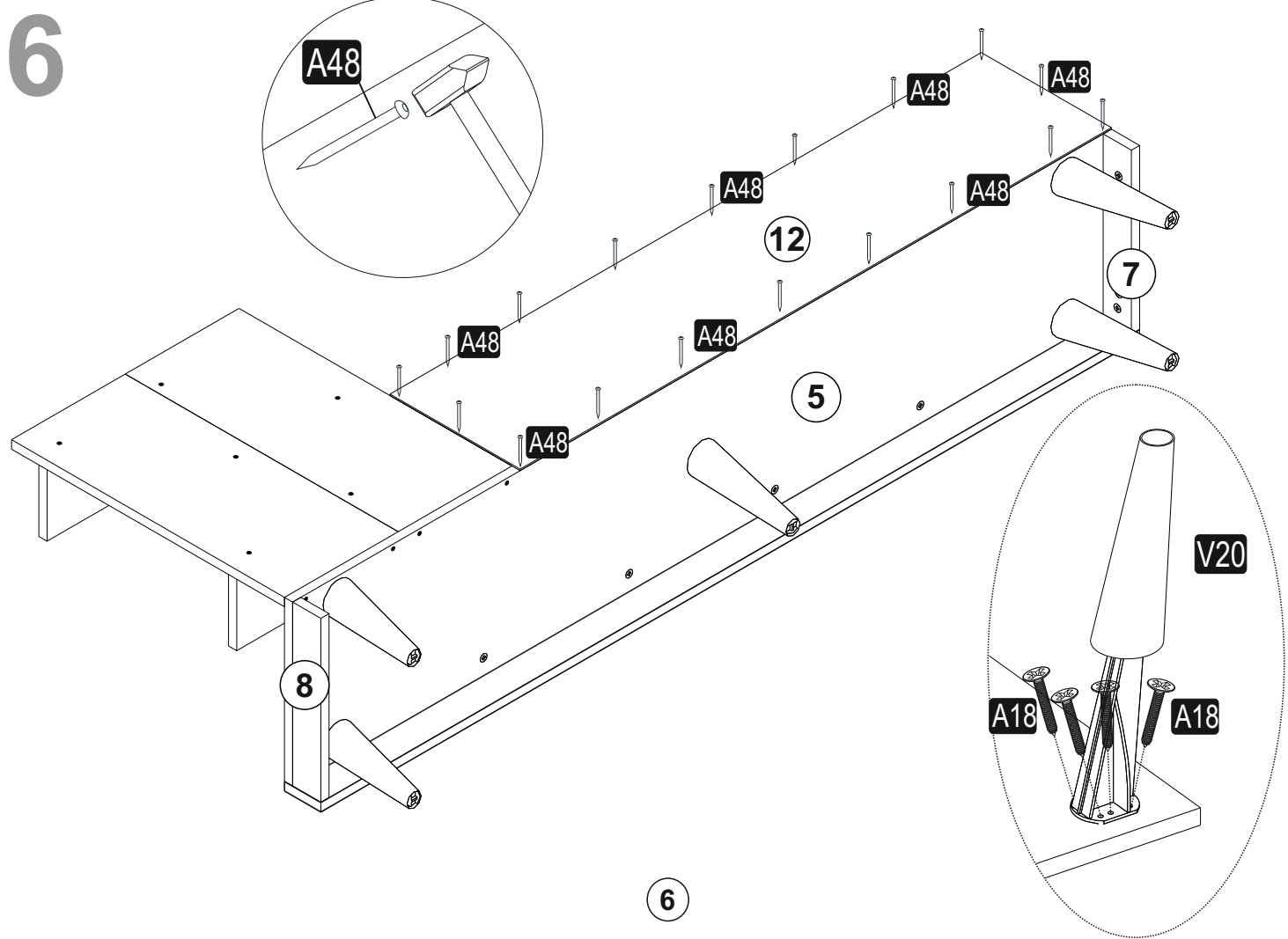
4



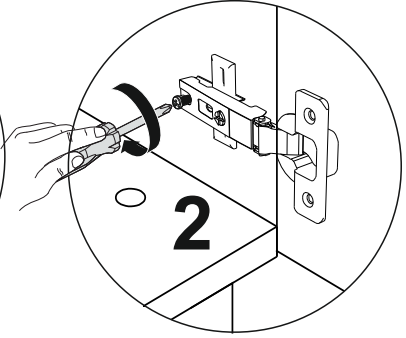
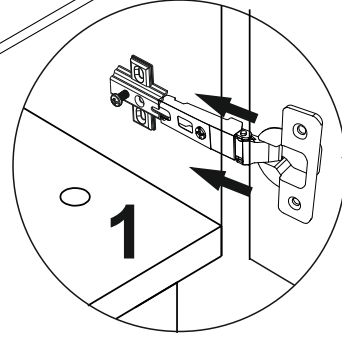
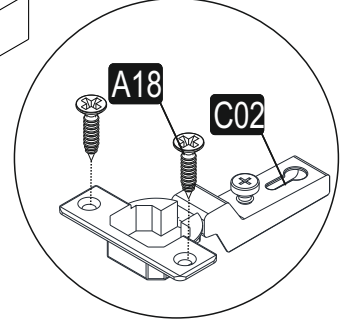
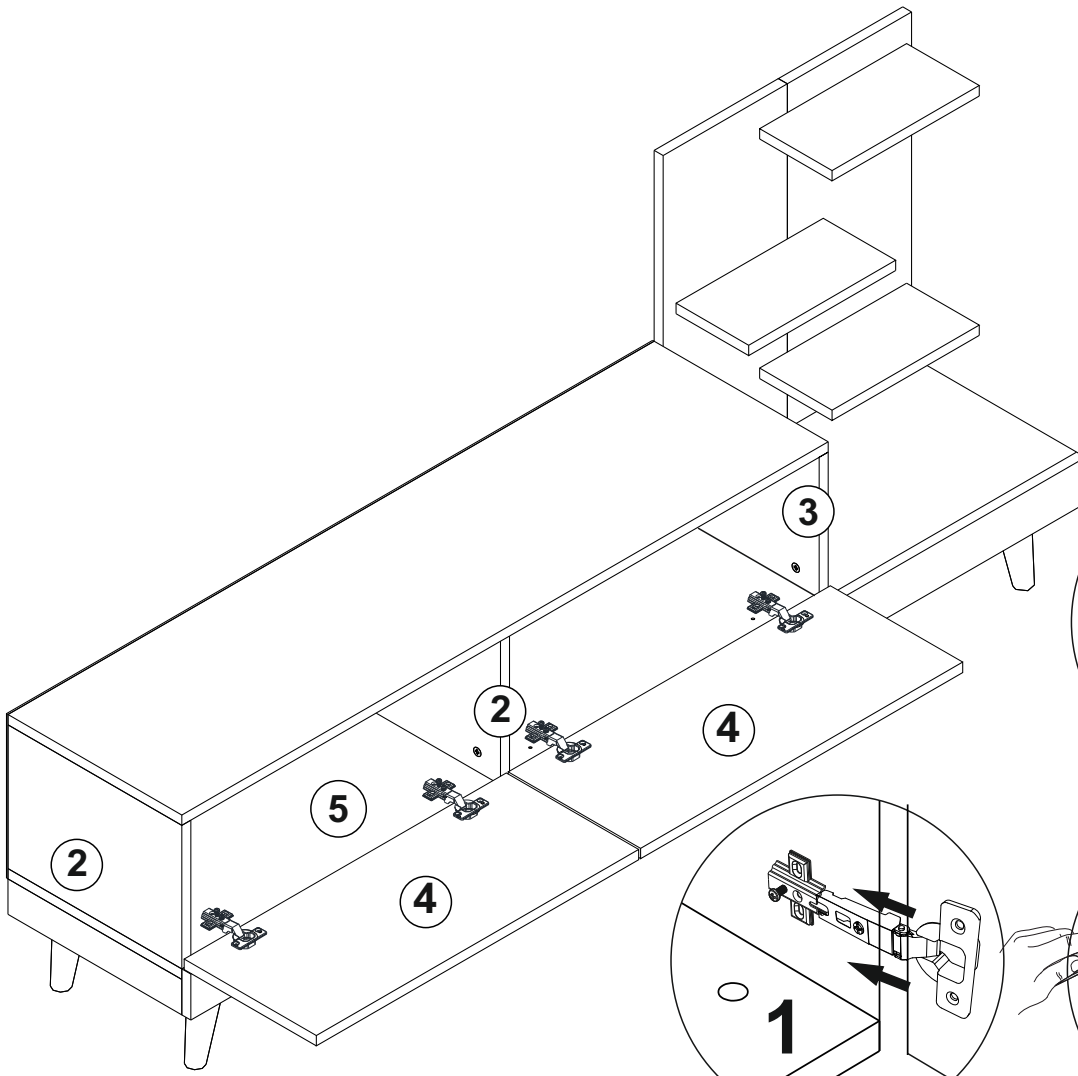
5



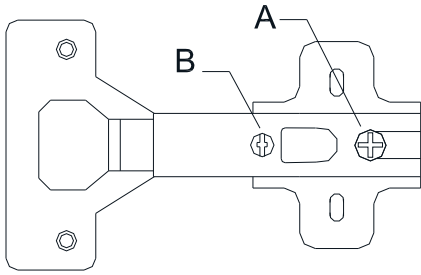
6



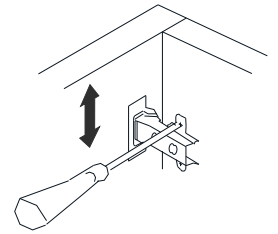
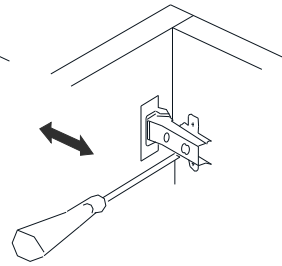
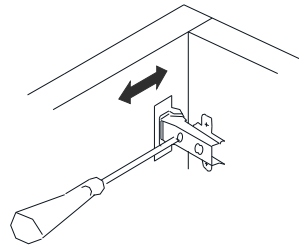
7



8



A= menteşe bağlama vidası / to connect the hinge to the door
B= kapak ayar vidası / to arrange the door



oklar kapağın ayarlama yönünü gösterir.
arrows to show the directions for arrangement of doors.

7