

Supply Cabinet

1-Cabinet Module Assembly

2.

Nail the backrest at 8-10 cm intervals.
The fixed middle shelf must be nailed

12 sets of minifixes

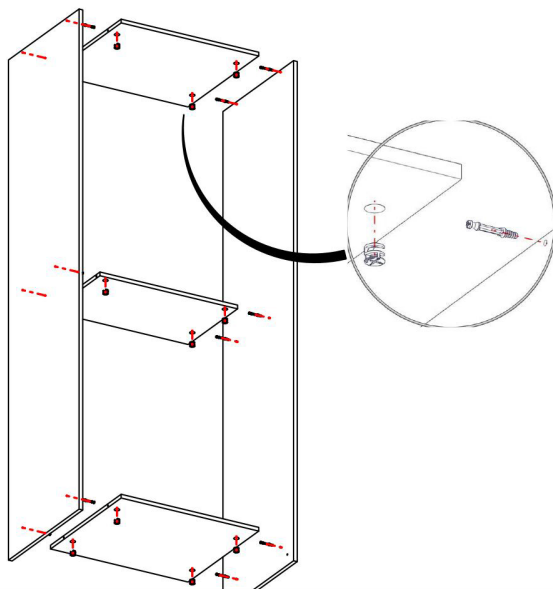


8 rack pins

enough nails

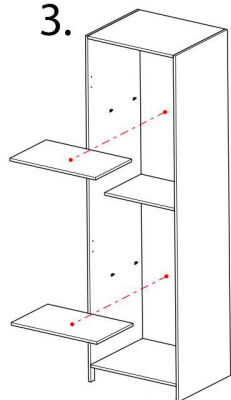


1.

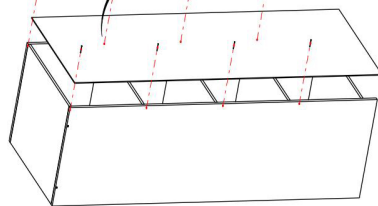


3.

Mount the backrest on the front of the cabinet.
Do it by bringing the cabinet down to the ground.



Nail



2-Cover Rack Assembly

2.

8 Sets Minifix



20pcs screws



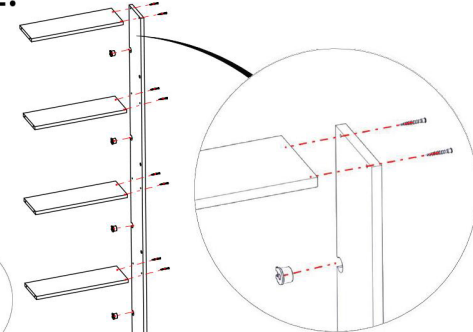
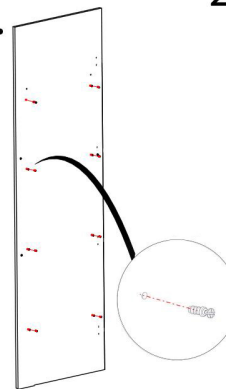
1 wheel



Front Shelf Holder Tube



1.

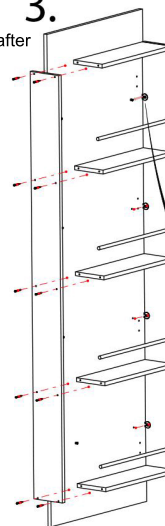


NOTE : The door of the cabinet is designed to be opened to the right and left.

In the image in the assembly no. 3, the cover opens to the left.
If you want the door to open to the right, press the inside of the door.
when we look from the opposite side, the handle hole on the right side, the hinge place on the left side
make the installation.

3.

The part we have after
the 2nd assembly



We replace our minifixes
by sliding them from right to left.

We replace the minifixes on our left part,
at the same time we put our shelf front pipe in
place. Finally we fix our left part with screws

4.

