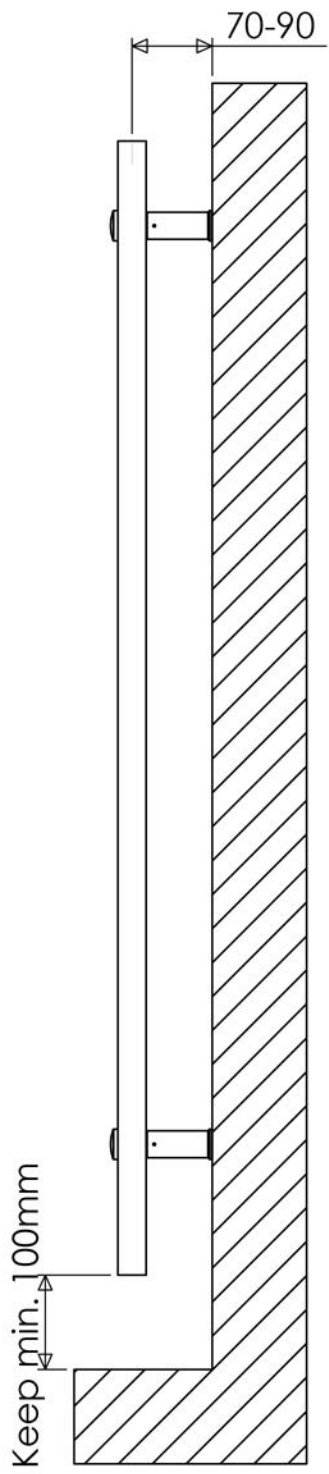
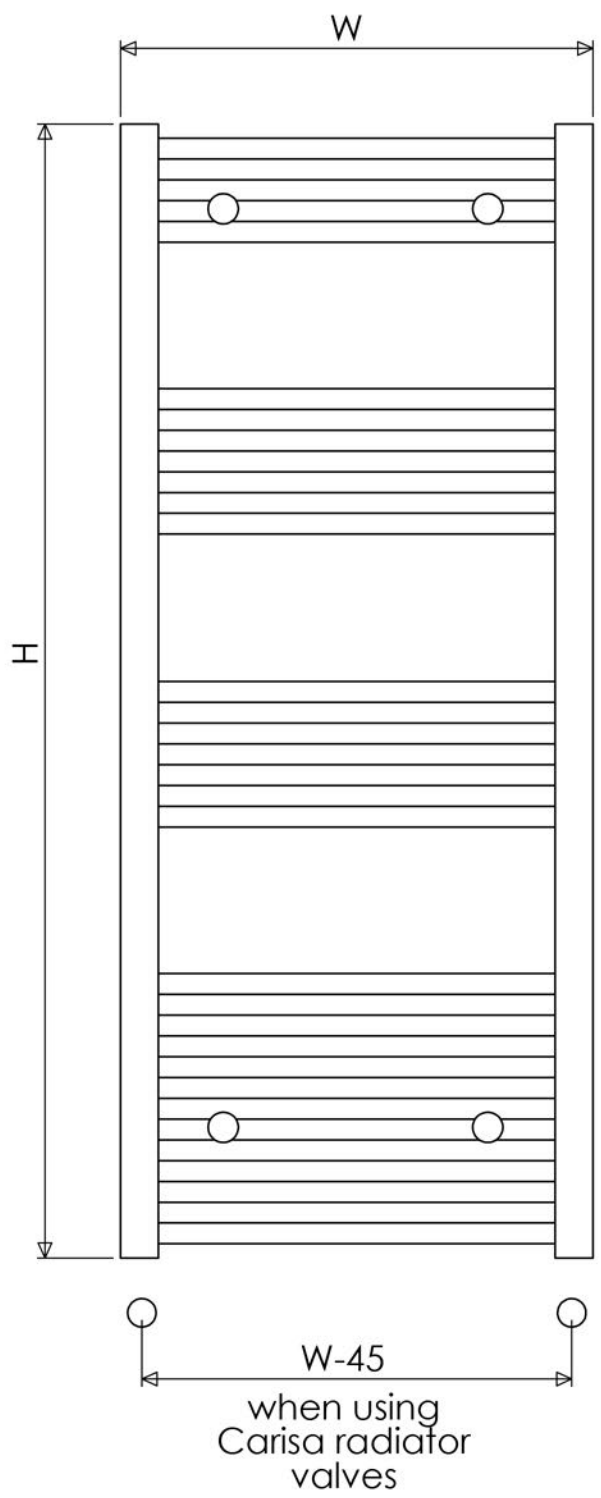
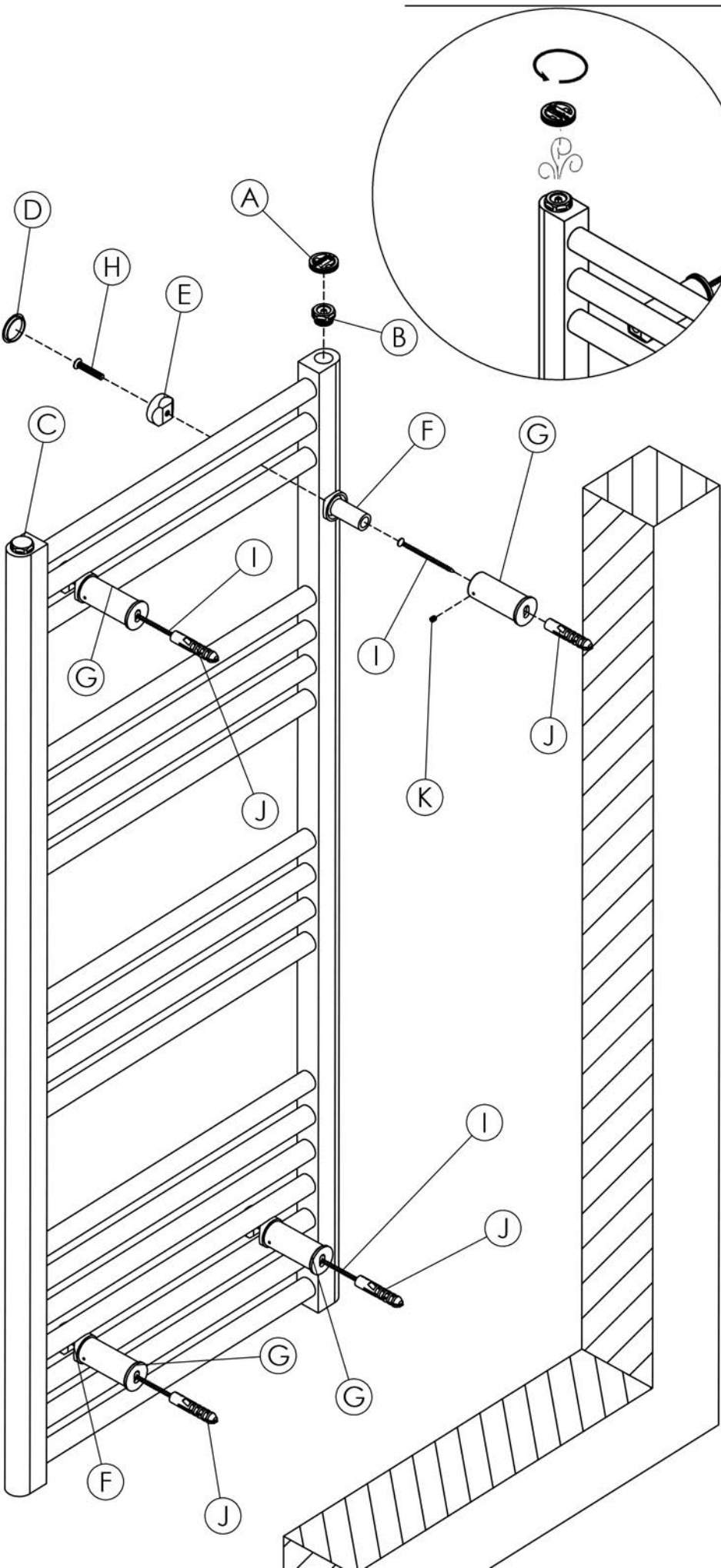


NILE

TECHNICAL DATA





Key	Component	Qty
	A Bleeding Valve Key	1
	B Bleeding Valve 1/2 "	1
	C Blind Tap	1
	D Front Cover	4
	E Front Fixing Part	4
	F Back Stud	4
	G Wall Mounting Bracket	4
	H Screw	4
	I Screw-5,5x45mm	4
	J Wall Plug	4
	K Grub Screw	4

Assembly Instructions

- Fit bleeding valve (B) & blind tap (C).
- Use Carisa bleeding valve key (A) to turn bleeding valve (B) on final installation.
- Accurately mark out bracket holes on wall using spirit level. Holes should be between sections as seen in drawing.
- Drill four 8mm hole for each brackets (G).
- Screw brackets (G) into wall plugs (J) with 5,5mm diameter x 45mm screws (I).
- Put the back studs (F) into the bracket holes (G)
- Set the ideal wall distance by moving stud inside bracket and then fix with the screw (K).
- Make a group by using screw (H). (Firstly screw (H), secondly front fixing part (E).
- Hang the radiator back studs (F) to be between sections. Then fix the radiator to the wall mounting brackets by using front fixing group (H,E) which we made before.