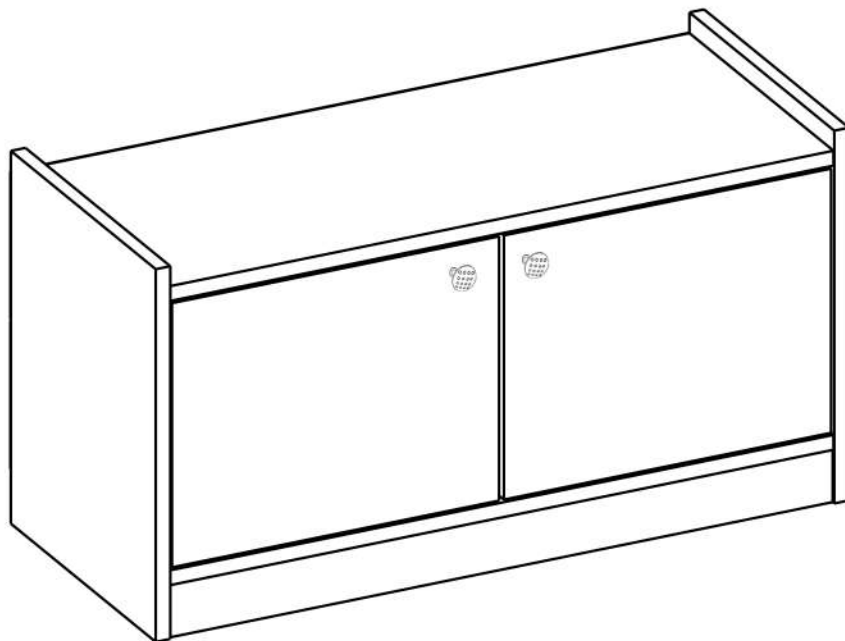
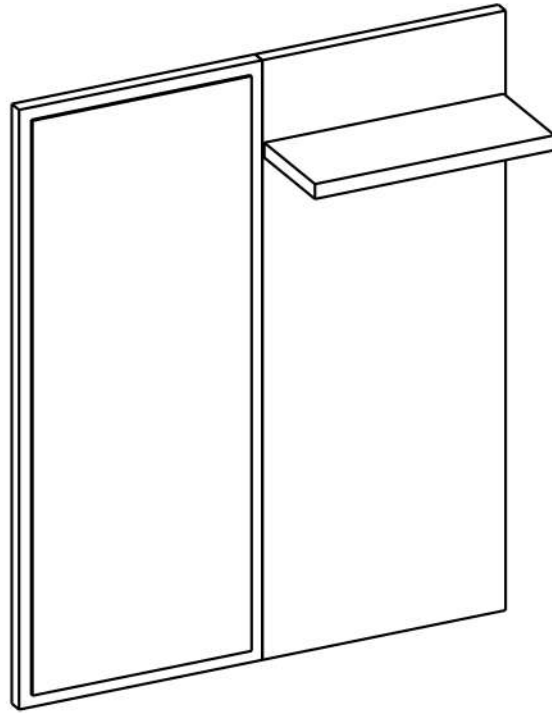









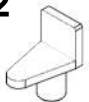



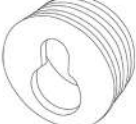


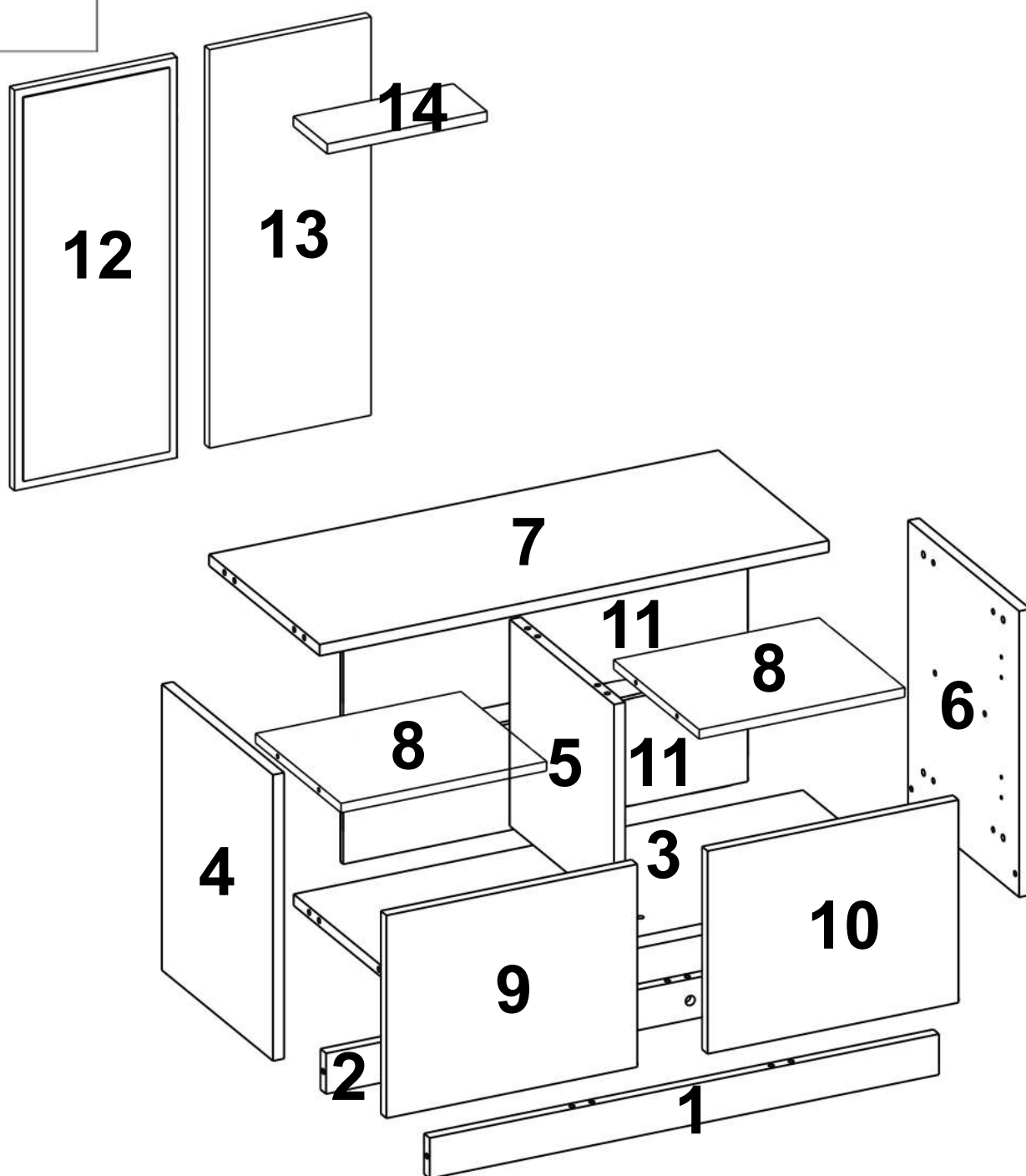
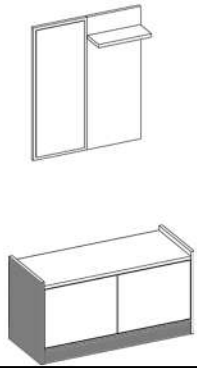


LS1



| | | | | |
|---|--|---|--|---|
| 1  B0501 x17 | 1  B0502 x17 | 1  B0503 x21 | 1  B0504 x17 | 2  B0301 x21 |
| 1  B0202 x2 | 2  B0318 x22 | 3  B0103 x4 | 3  B0105 x4 | 2  B0509 x8 |
| 2  B0304 x6 |  B1202 x2 |  B0307 x2 |  B1307 x4 |  B0317 x4 |
|  B2301 x1 | | | | |





B0501



x6

B0502



x6

B0503

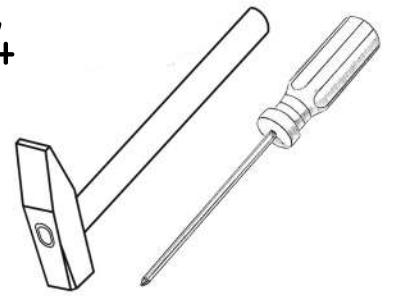


x8

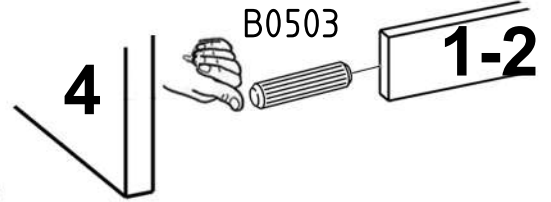
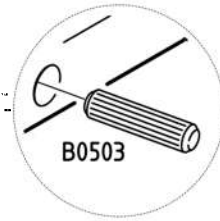
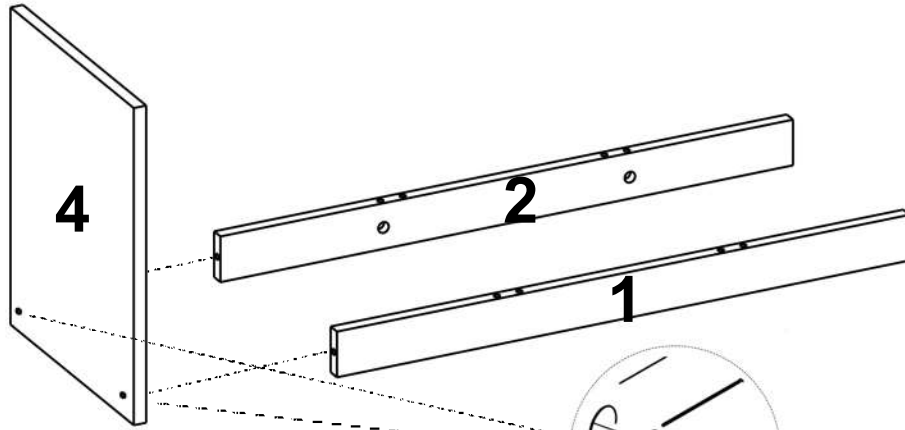
B0504



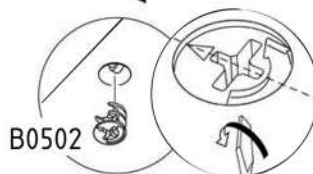
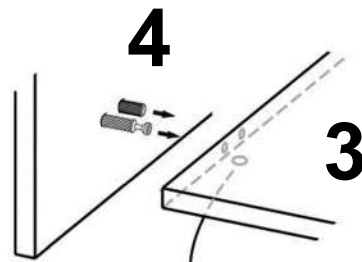
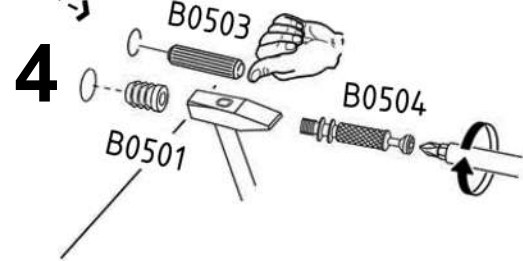
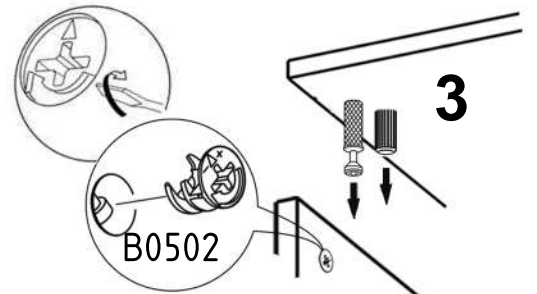
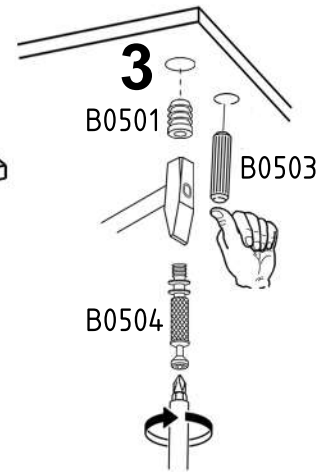
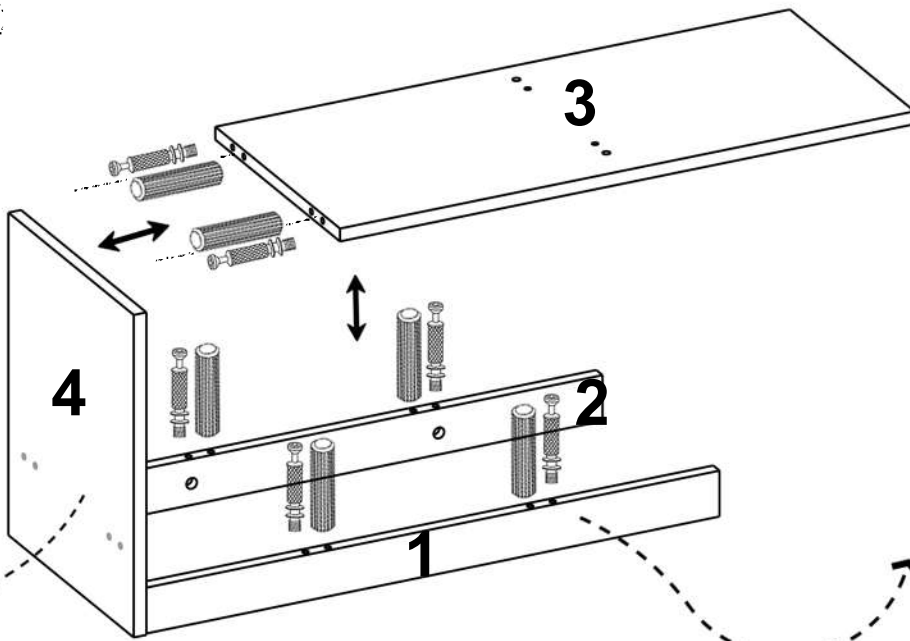
x6



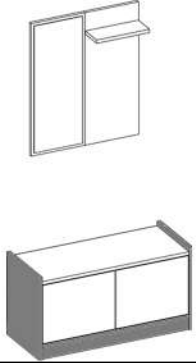
1



2



3

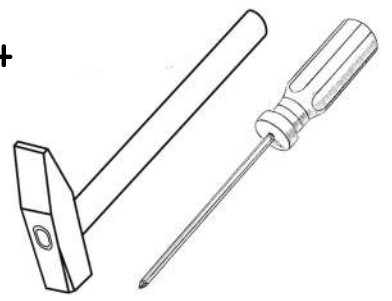


B0501

B0502

B0503

B0504



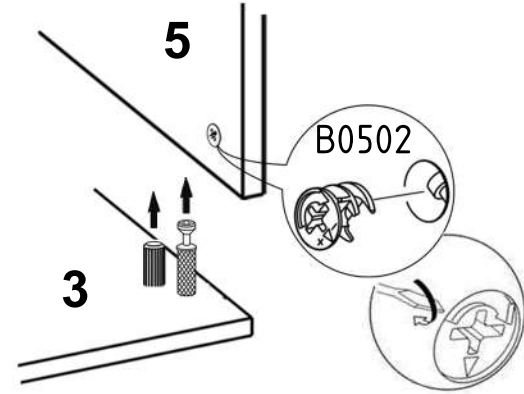
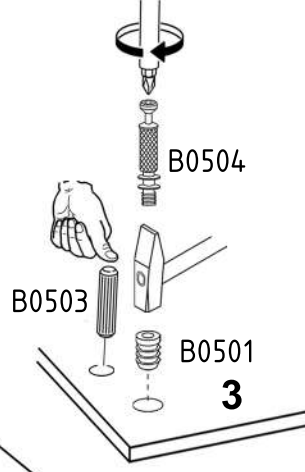
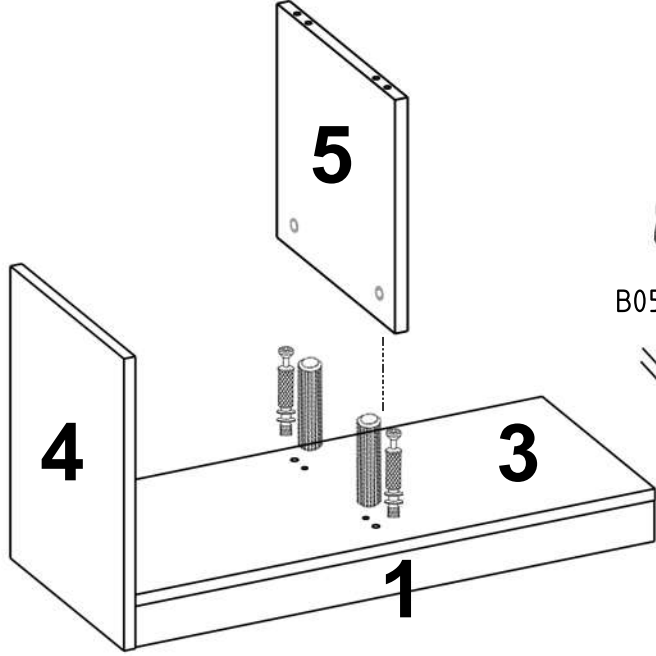
x4

x4

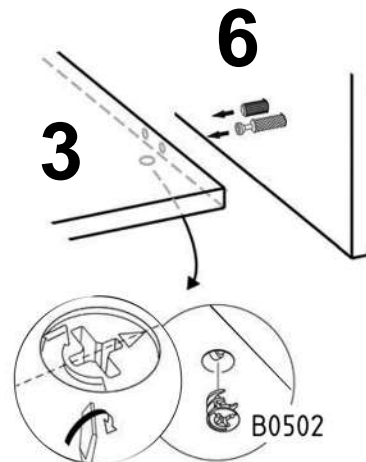
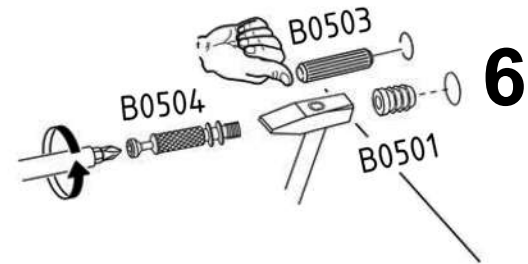
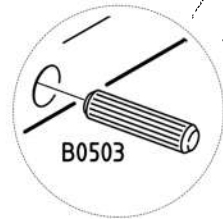
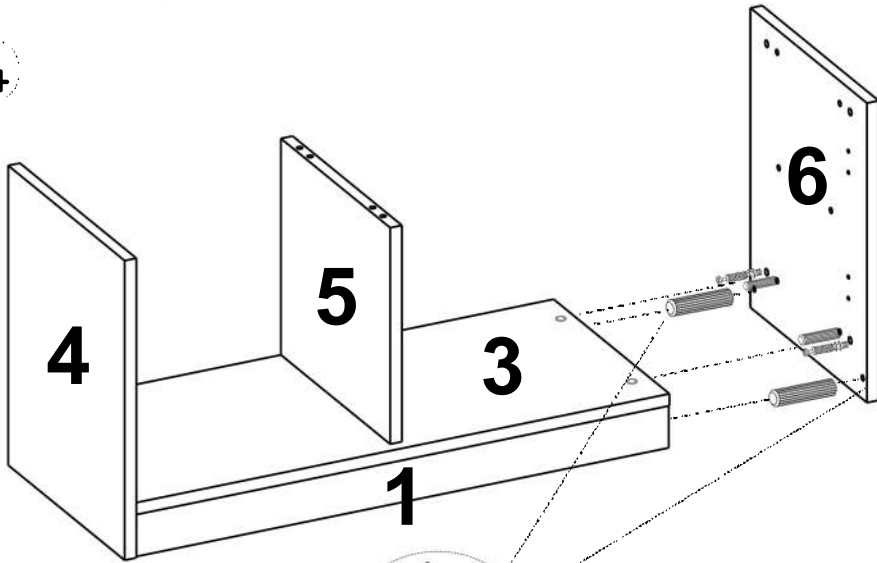
x6

x4

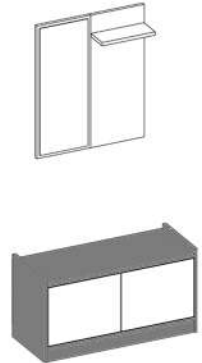
3



4



4



B0501



x6

B0502



x6

B0503



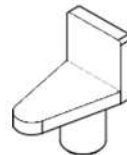
x6

B0504

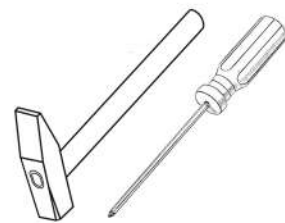


x6

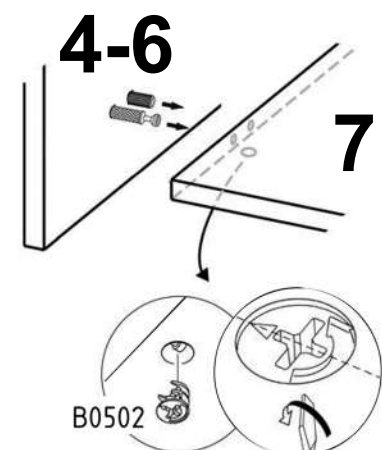
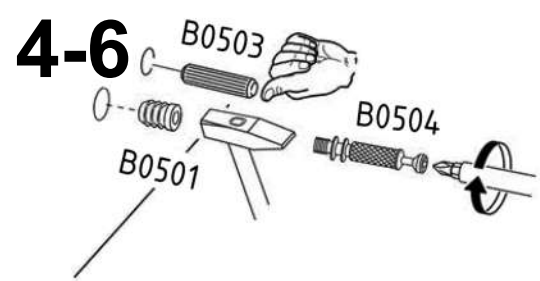
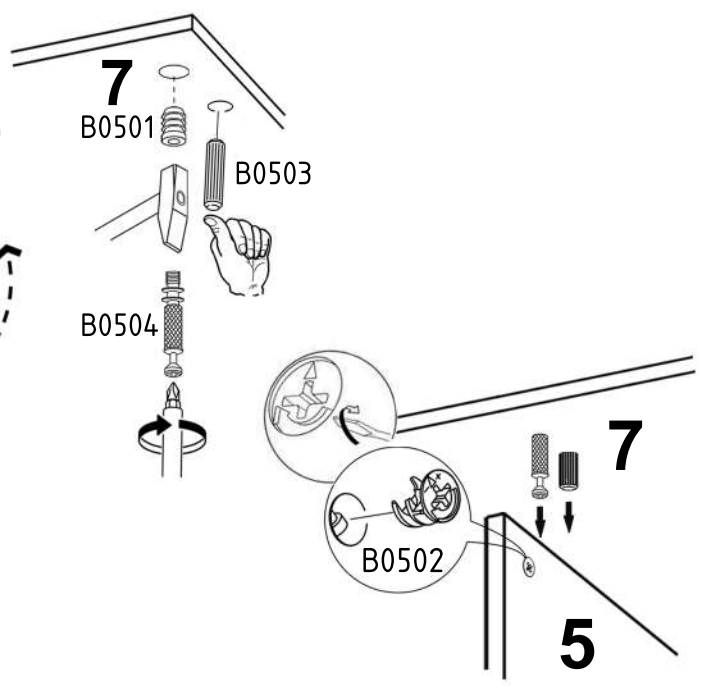
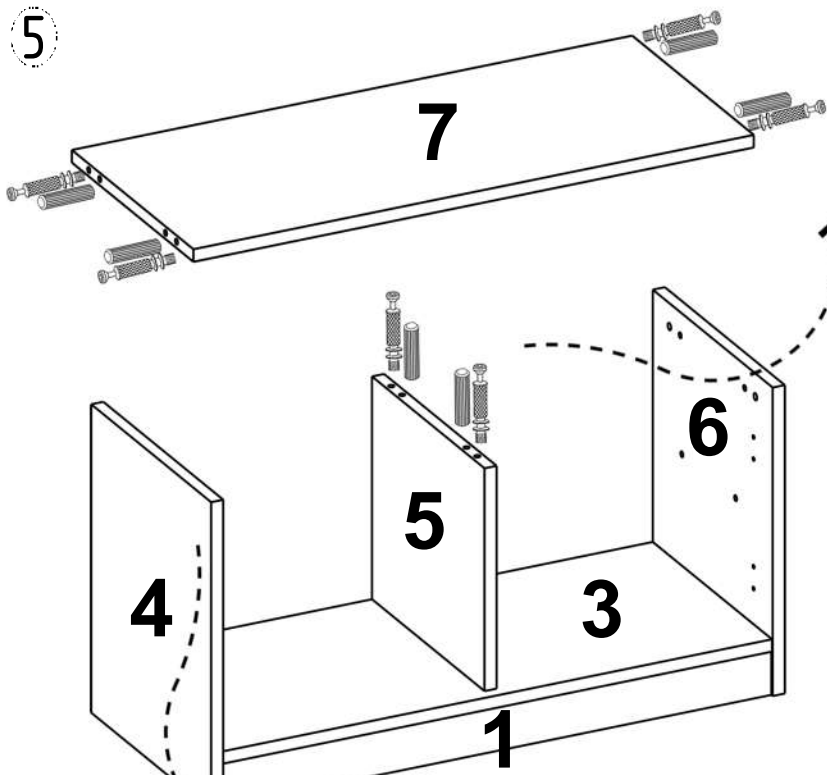
B0509



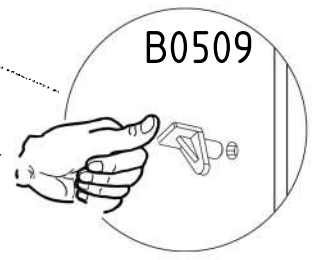
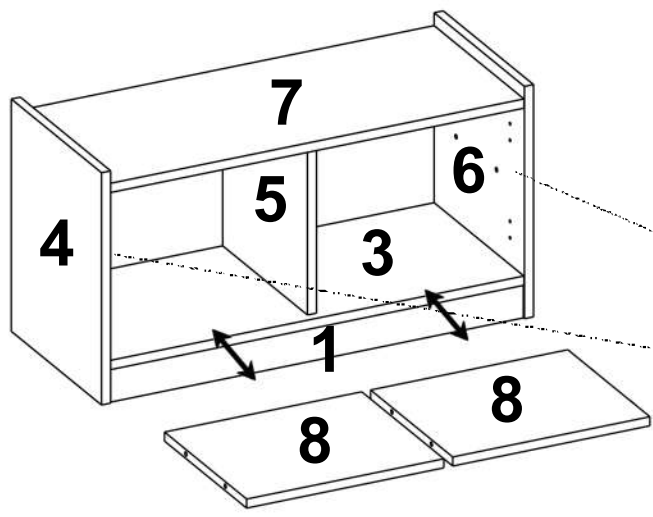
x8

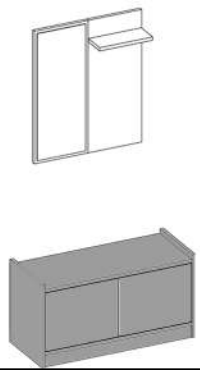


5



6





B0103

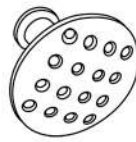
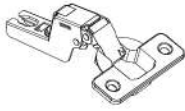
B0105

B0301

B0202

B0307

B0318



x4

x4

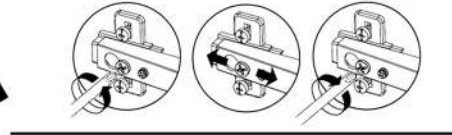
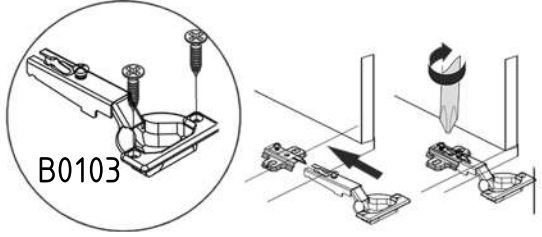
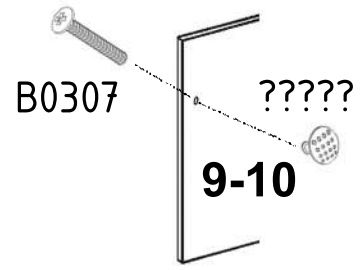
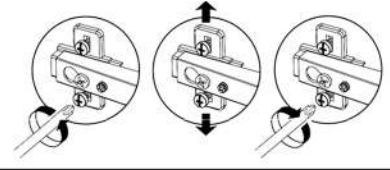
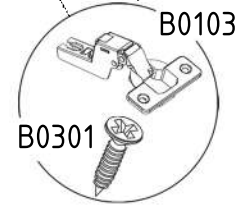
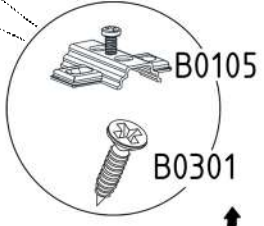
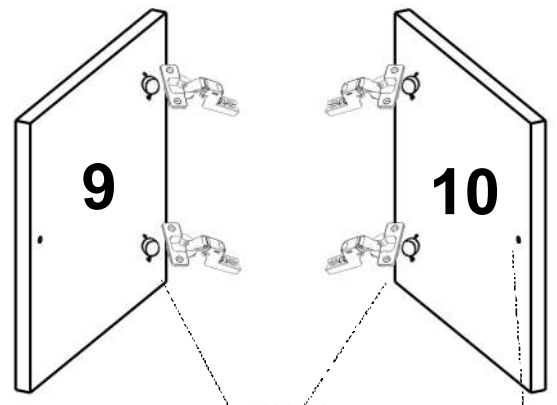
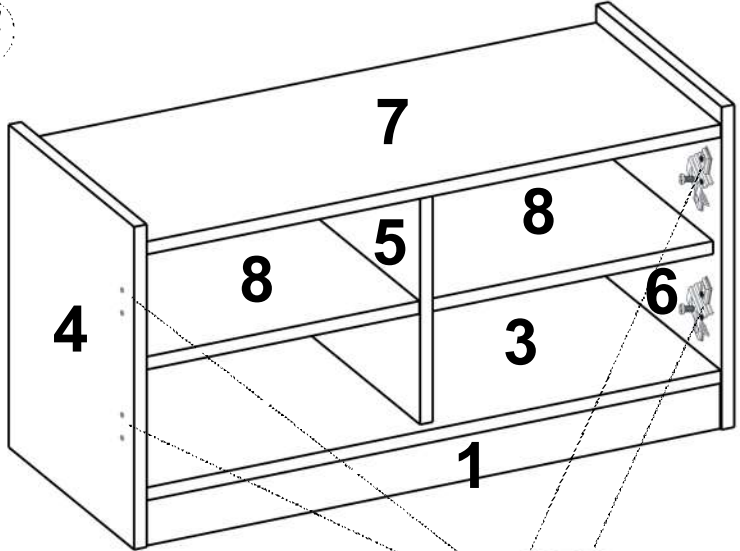
x16

x2

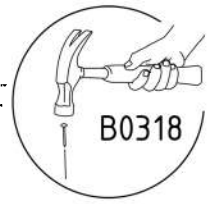
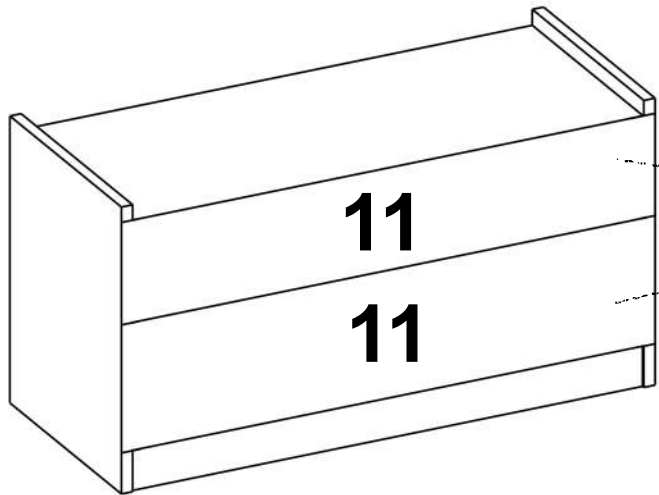
x2

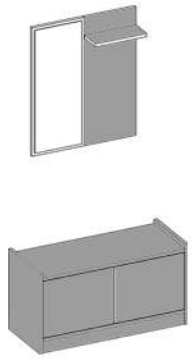
x22

7



8





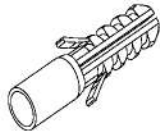
B0317

B0304

B1307

B0301

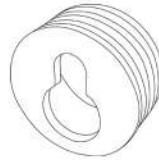
B1202



x4



x6



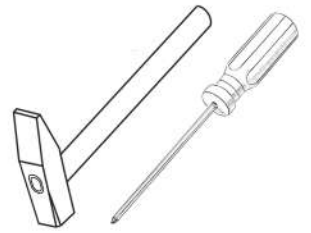
x4



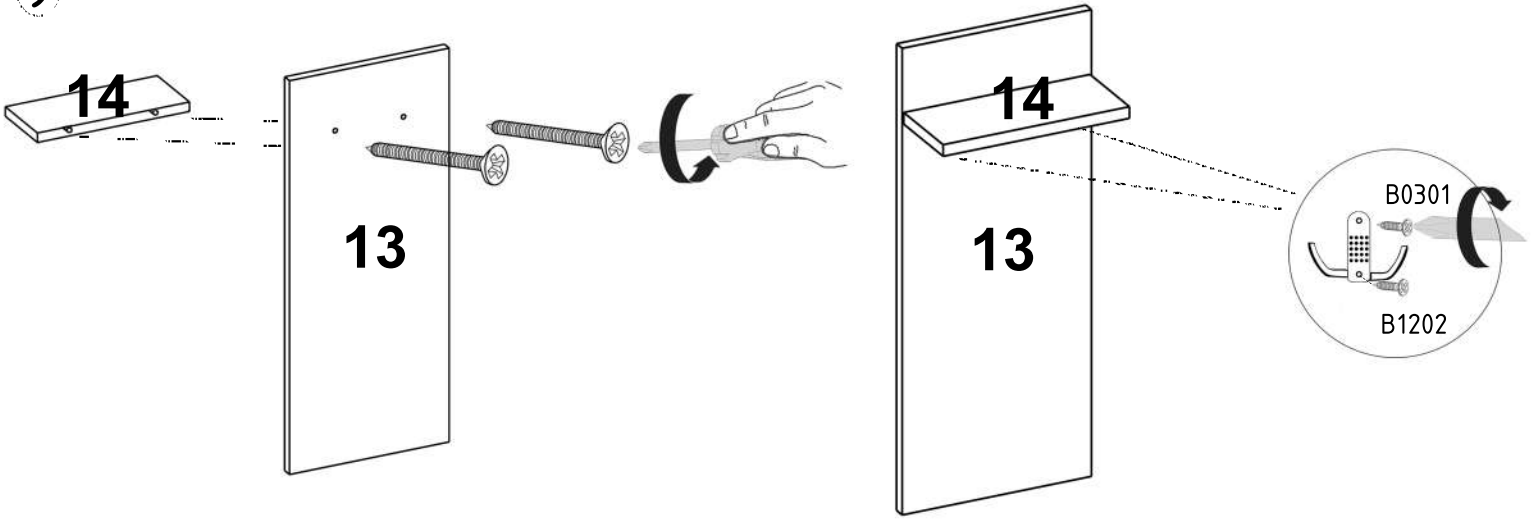
x4



x2



9



10

