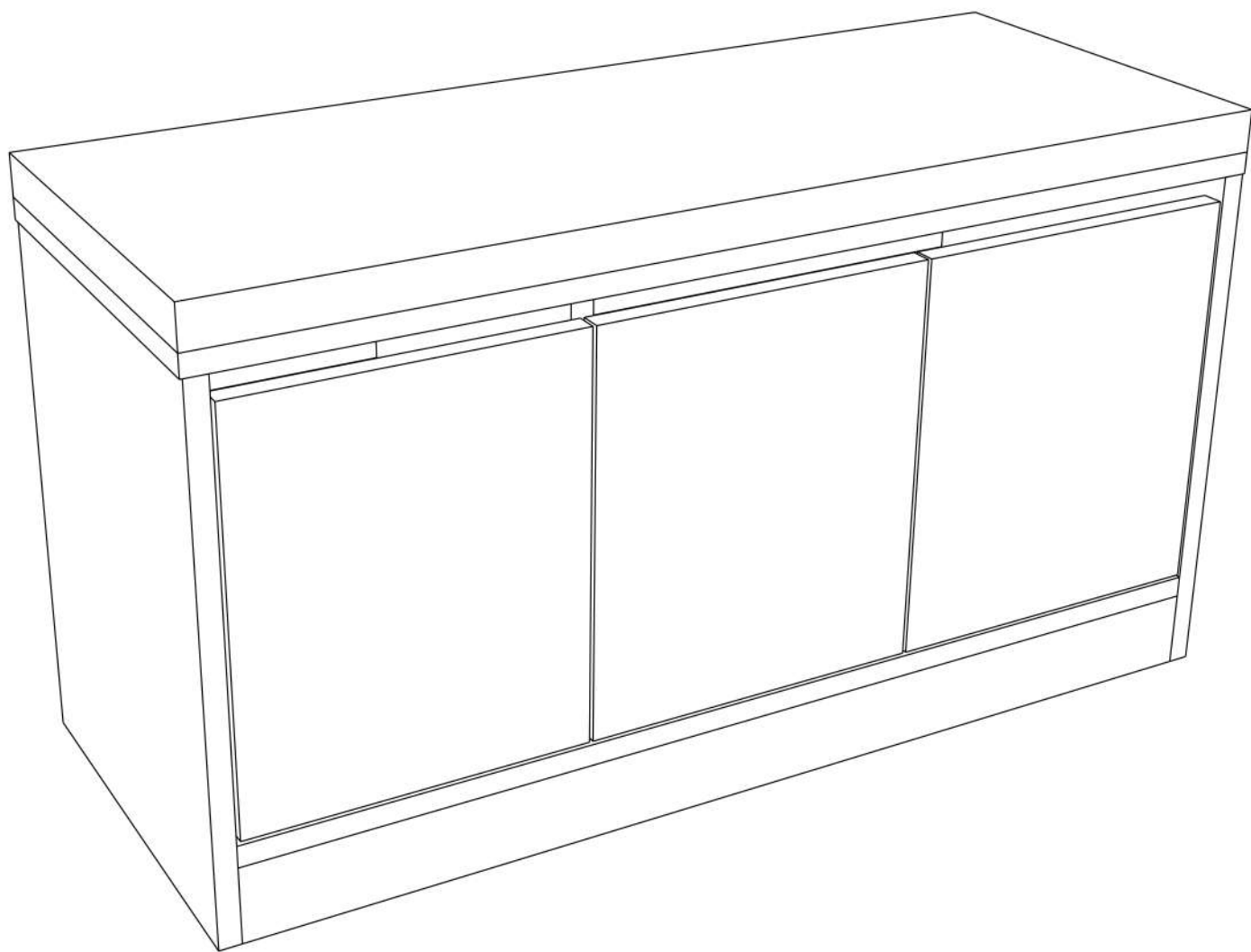




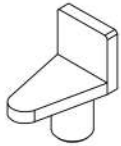






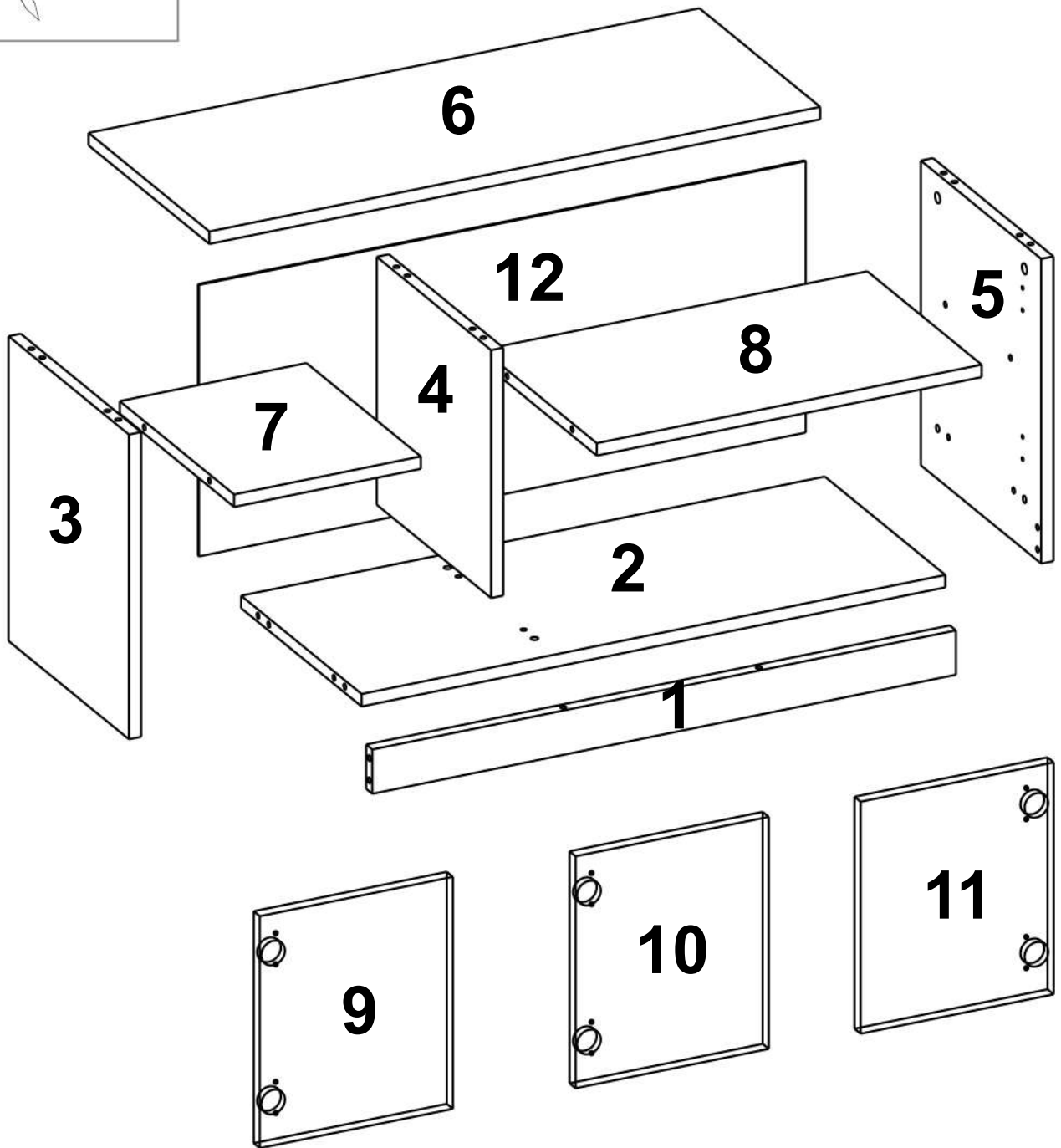
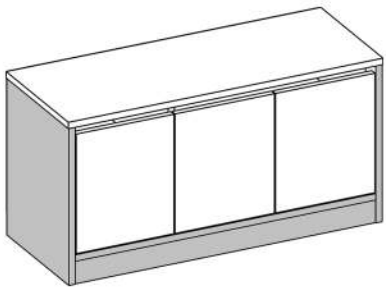


MR2



 B0501 x12	 B0502 x12	 B0503 x18	 B0504 x12	 B0508 x8
 B2302 x1	 B0103 x4	 B0102 x2	 B0105 x6	 B0301 x25
 B0318 x18				





B0502



x4

B0503



x10

B0504

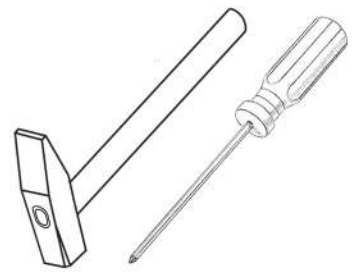


x4

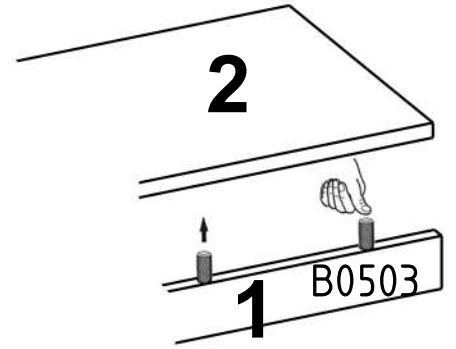
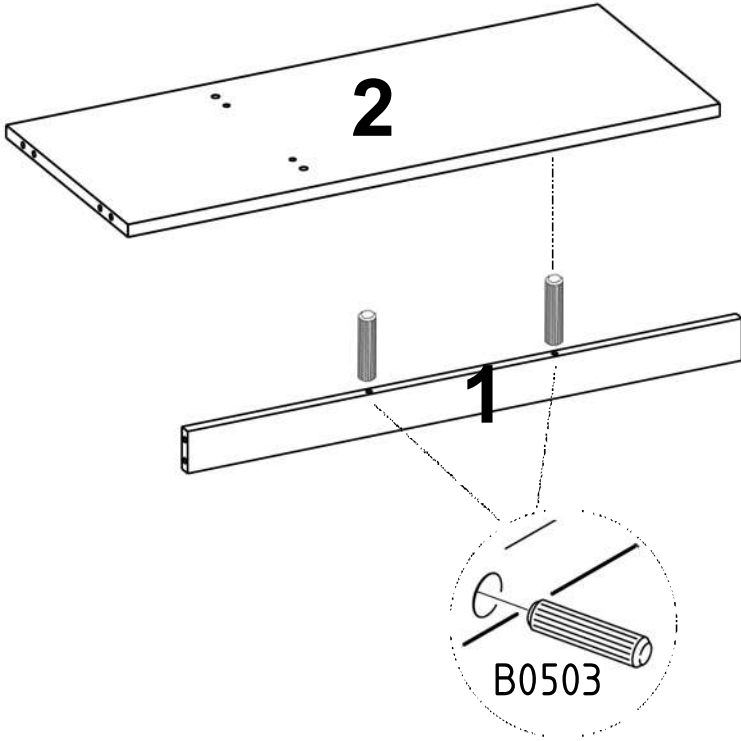
B0501



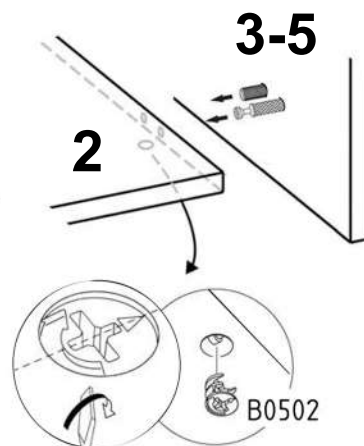
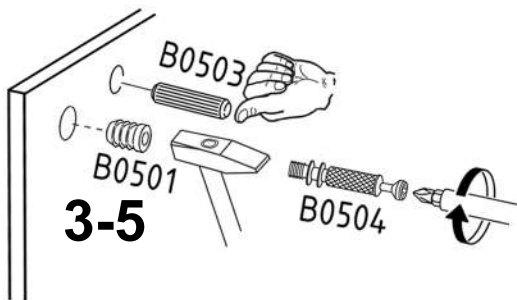
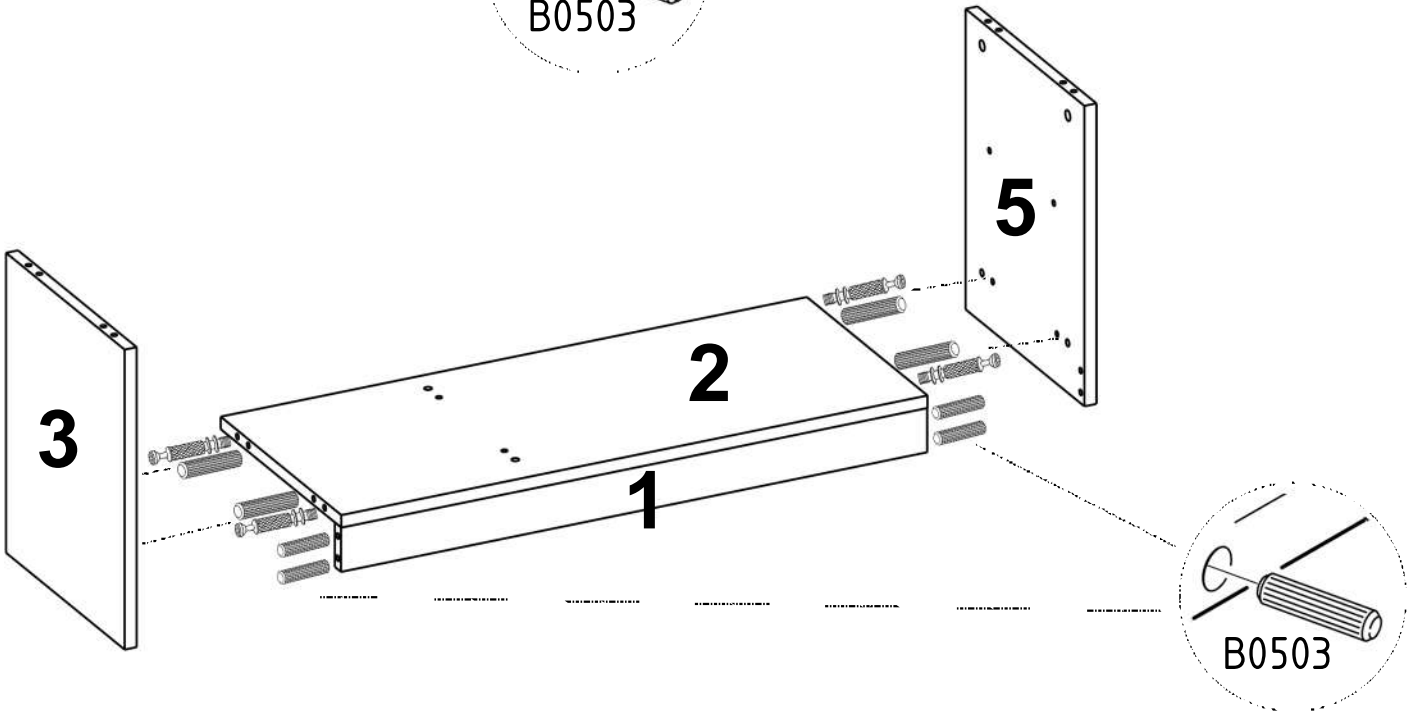
x4



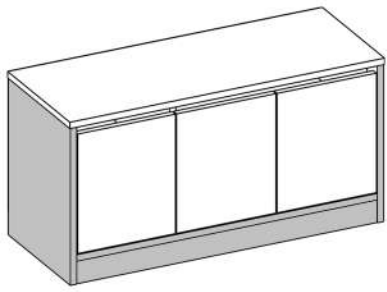
1



2



3



B0502



x2

B0503



x2

B0504



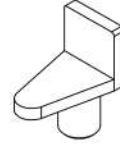
x2

B0501

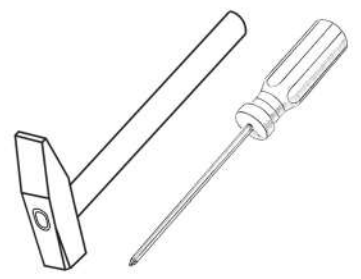


x2

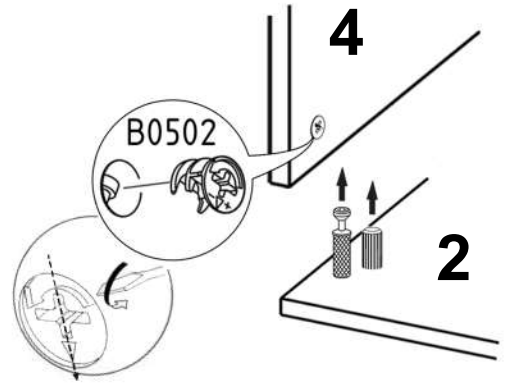
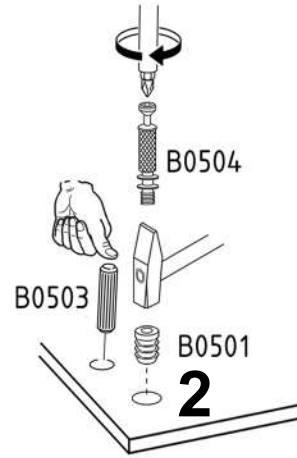
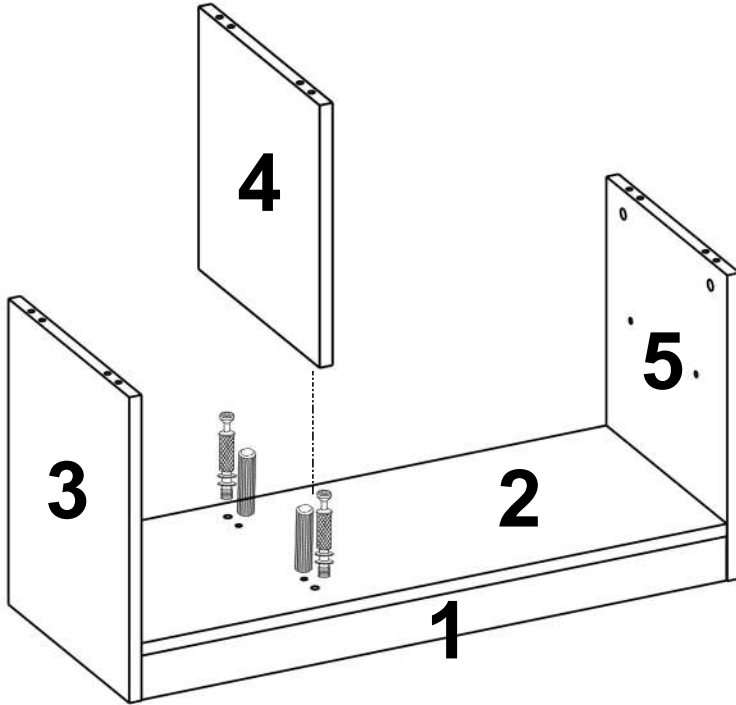
B0508



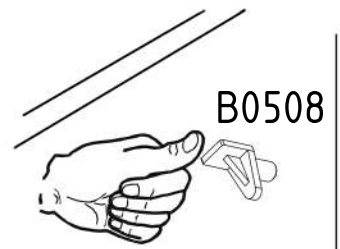
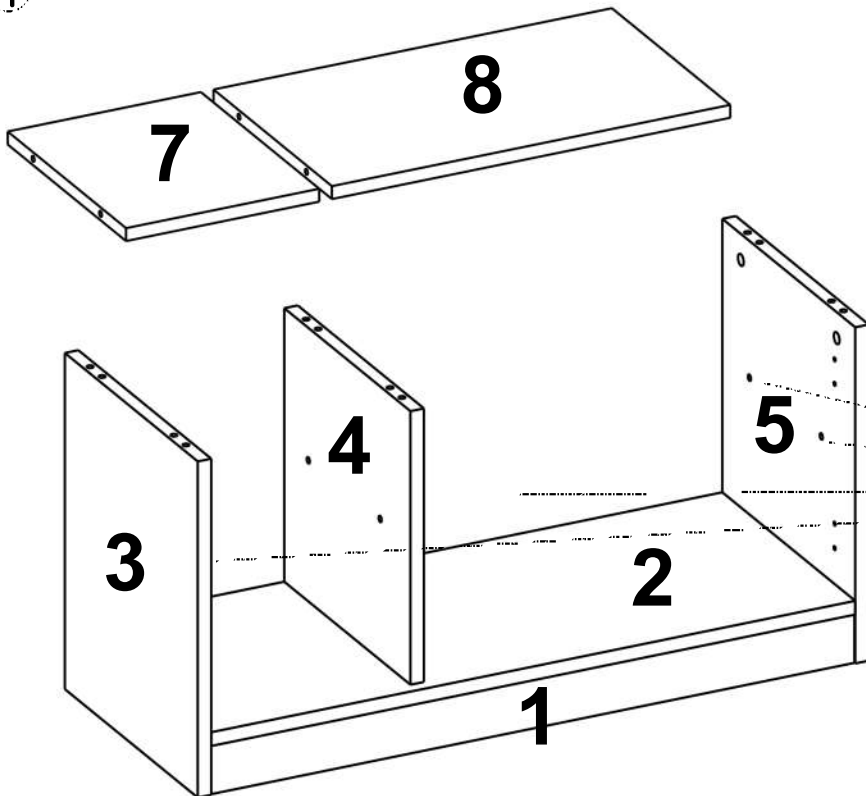
x8



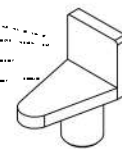
3

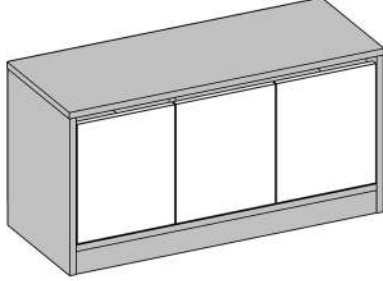


4

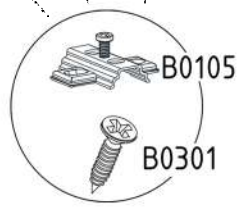
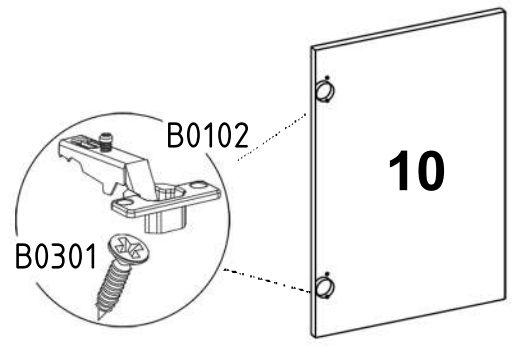
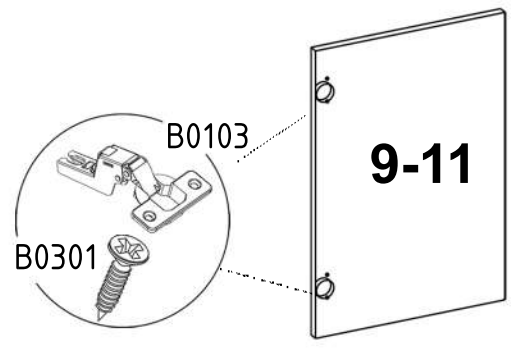
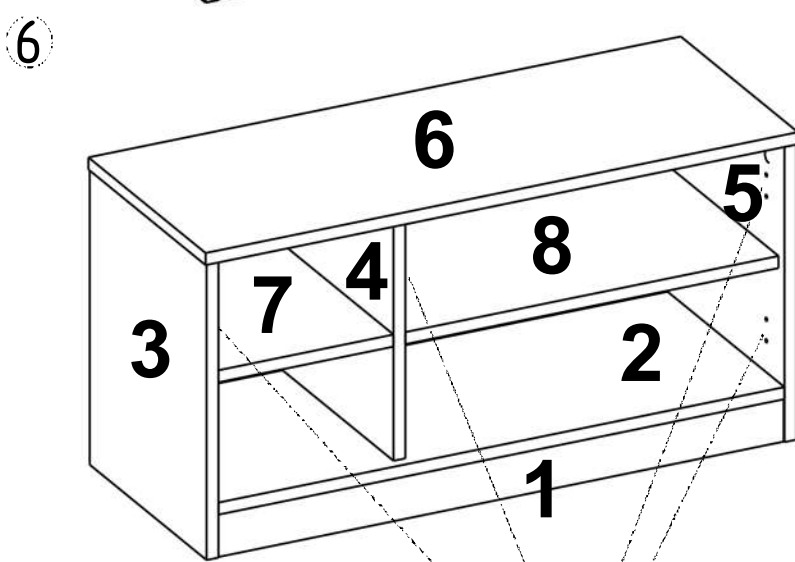
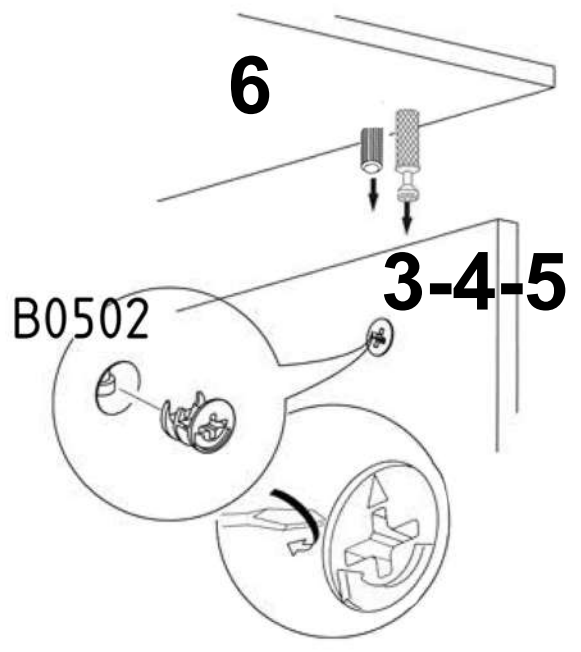
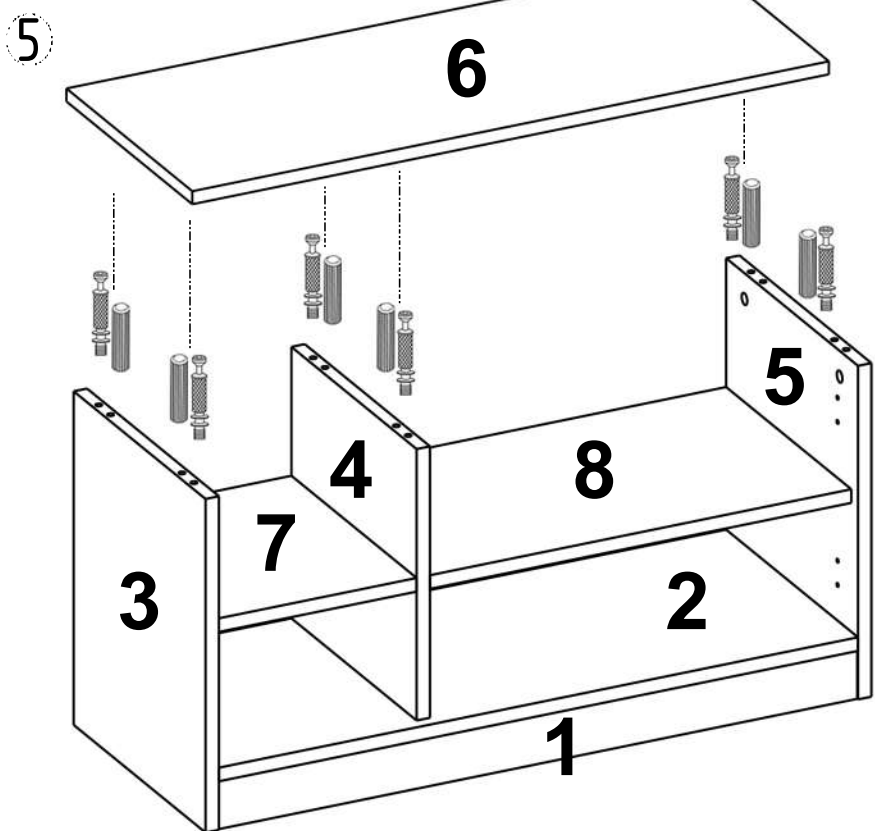
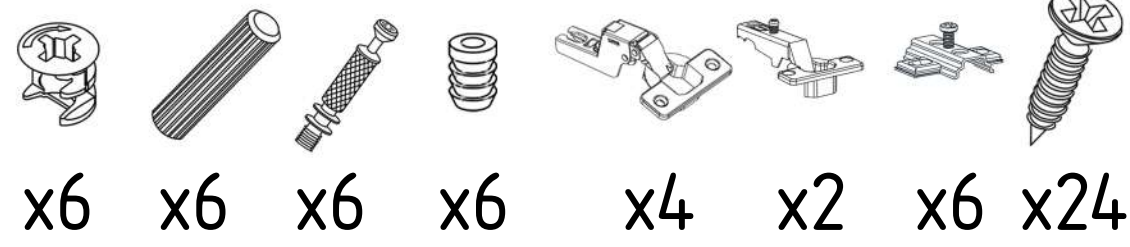


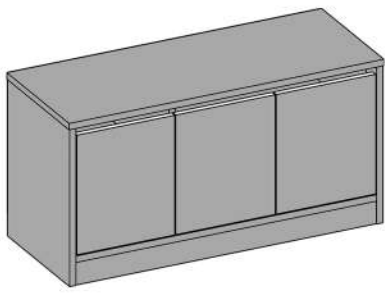
B0508





B0502 B0503 B0504 B0501 B0103 B0102 B0105 B0301

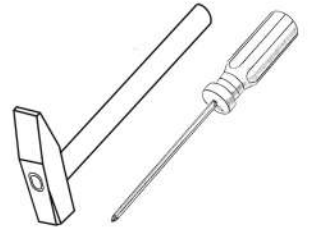




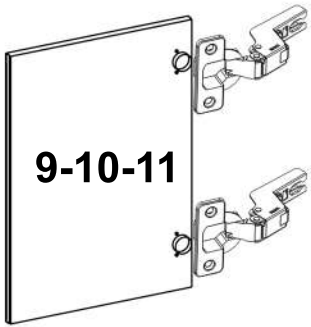
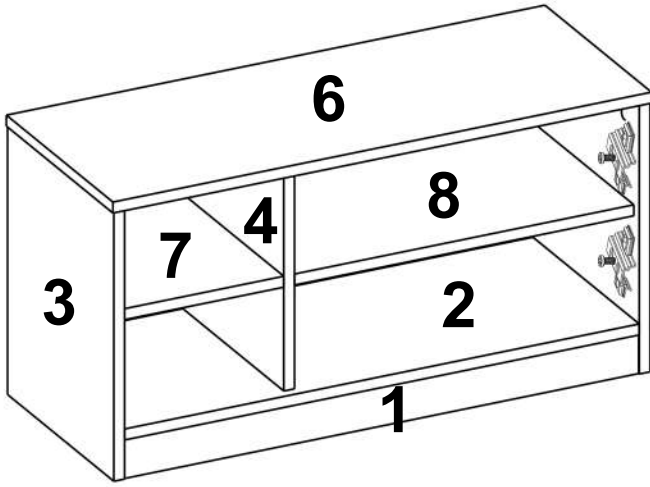
B0318



x18



11



12

