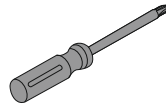
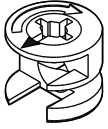
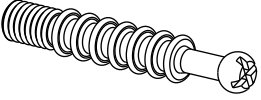
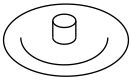
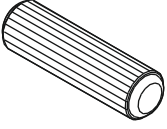
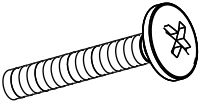
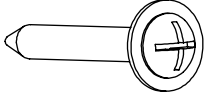
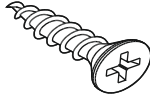
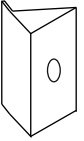
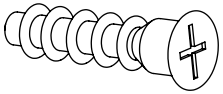
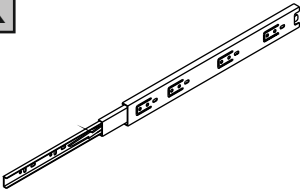

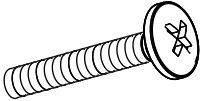
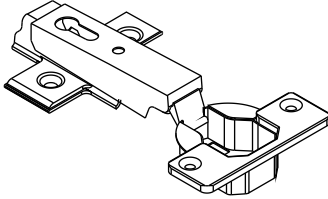
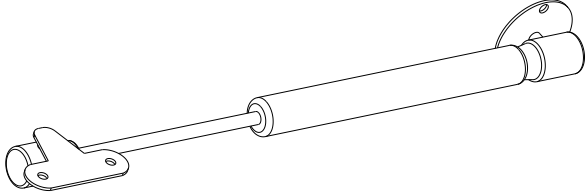
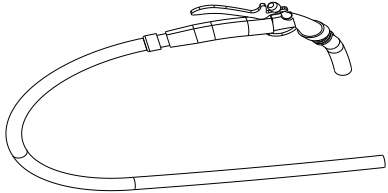


PRODUCT NAME	SPORT DRAWER
MODEL NUMBER	CHIPBOARD, PLASTIC

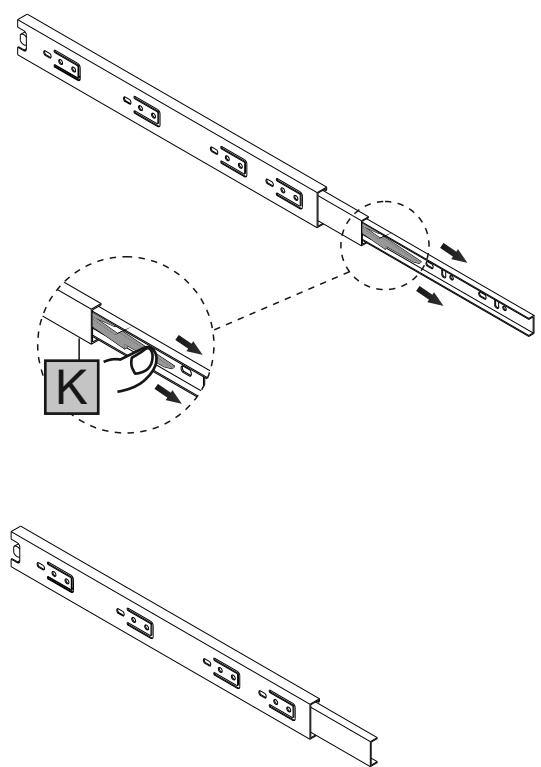


ASSEMBLY INSTRUCTIONS

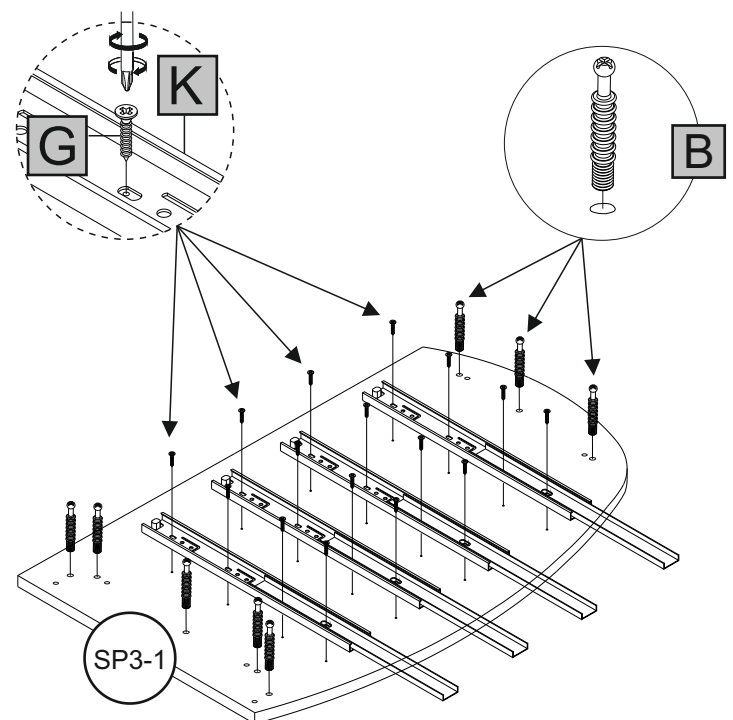


A 	B 	C 	D 
MINIFIX NUT x44 pc.	MINIFIX STUD x44 pc.	MINIFIX WHITE PLUG x44 pc.	DOWEL x30 pc.
E 	F 	G 	H 
YSB SCREWS M6x35 x10 pc.	BACK SCREWS M3x25 x2 pc.	3.5x18 BACKREST SCREW x100 pc.	CORNER PLASTIC x32 pc.
I 	K 	L 	M 
DRAWER SCREW x16 pc.	RAIL x8 pc.	HANDLE x4 pc.	YSB SCREWS M4x30 x4 pc.
N 		O 	
FLAT HINGE x2 pc.		SHOCK ABSORBER x1 pc.	
P 			
GAS PUMP x1 pc.			

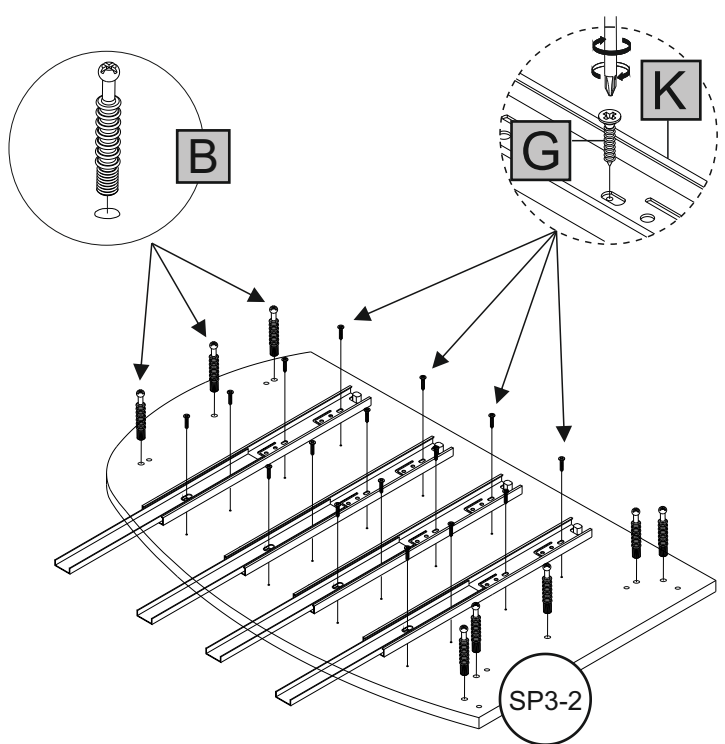
1



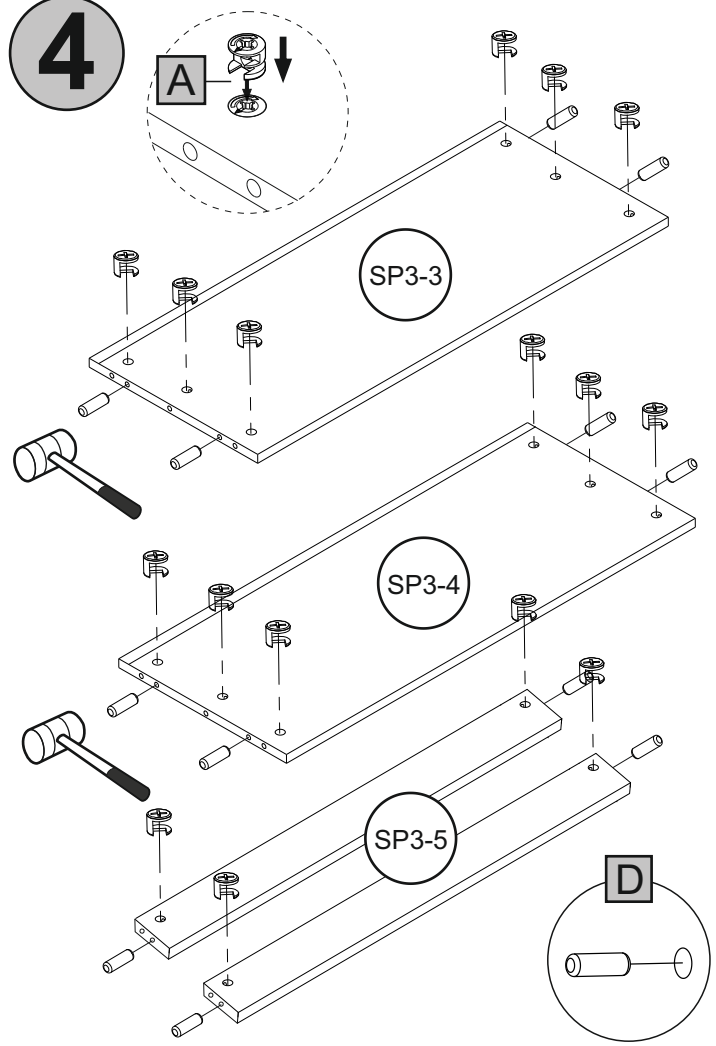
2



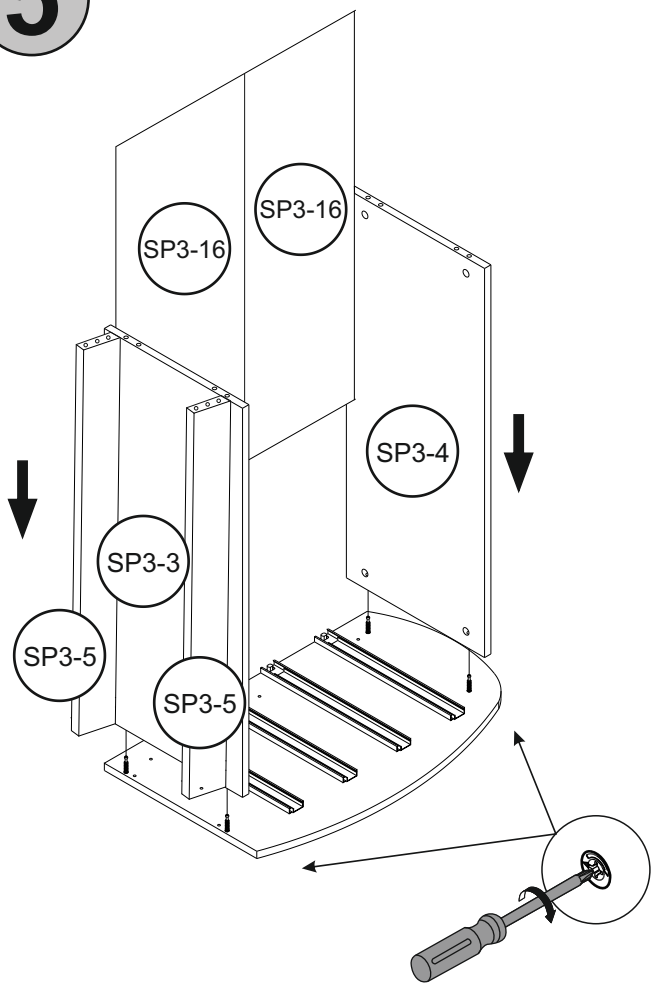
3



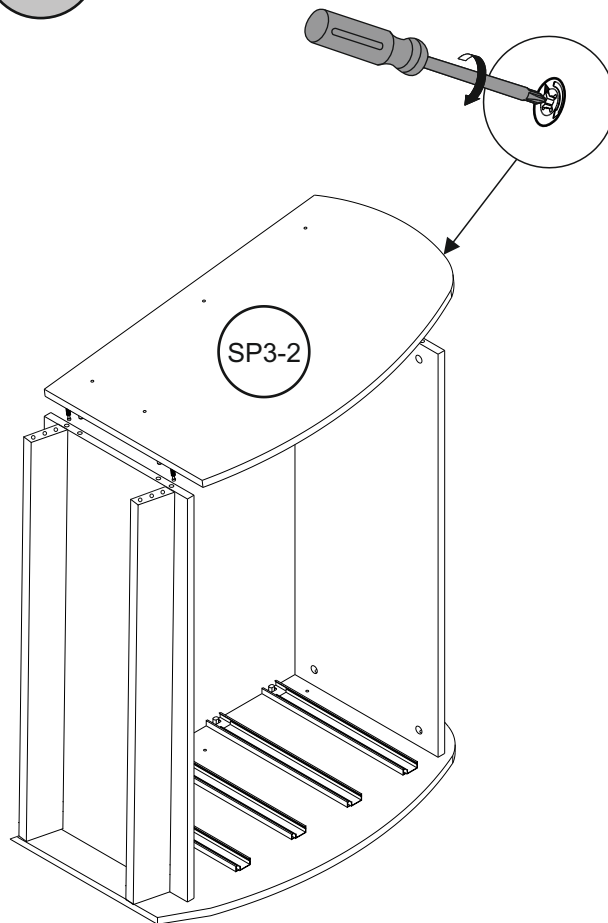
4



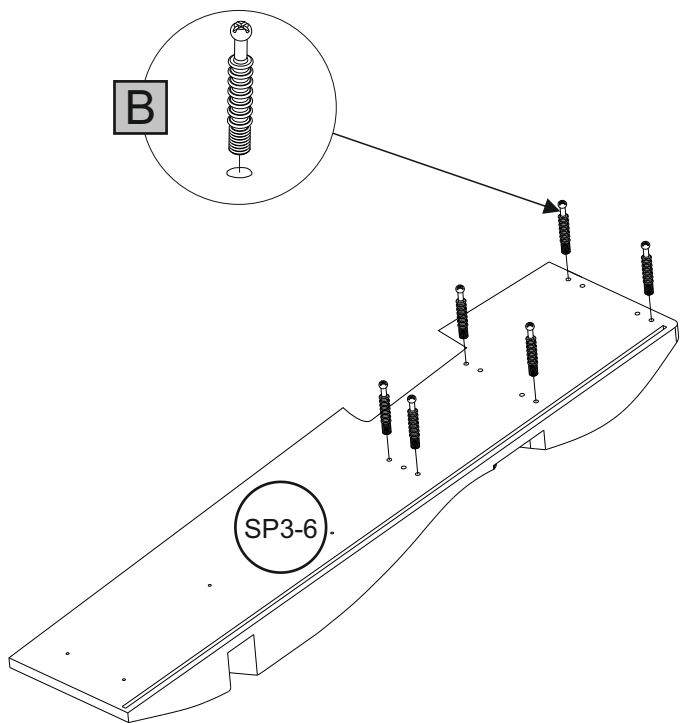
5



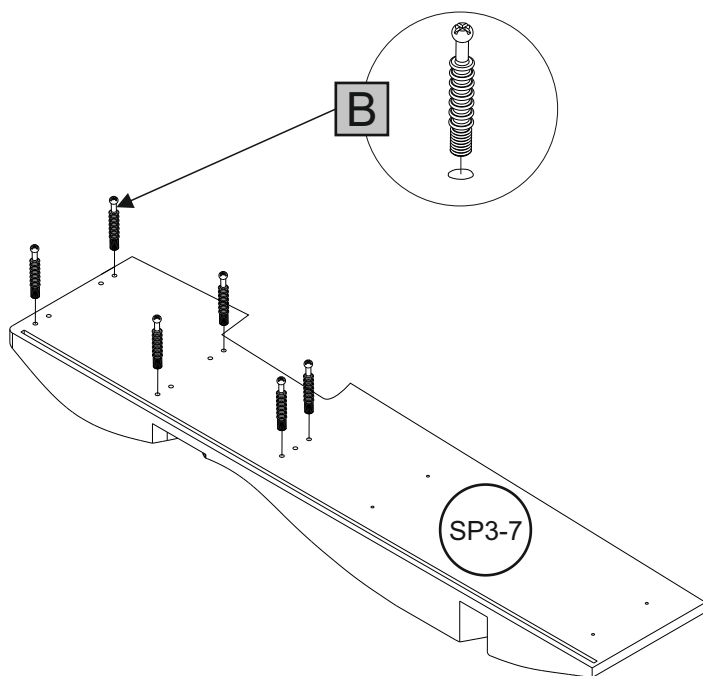
6



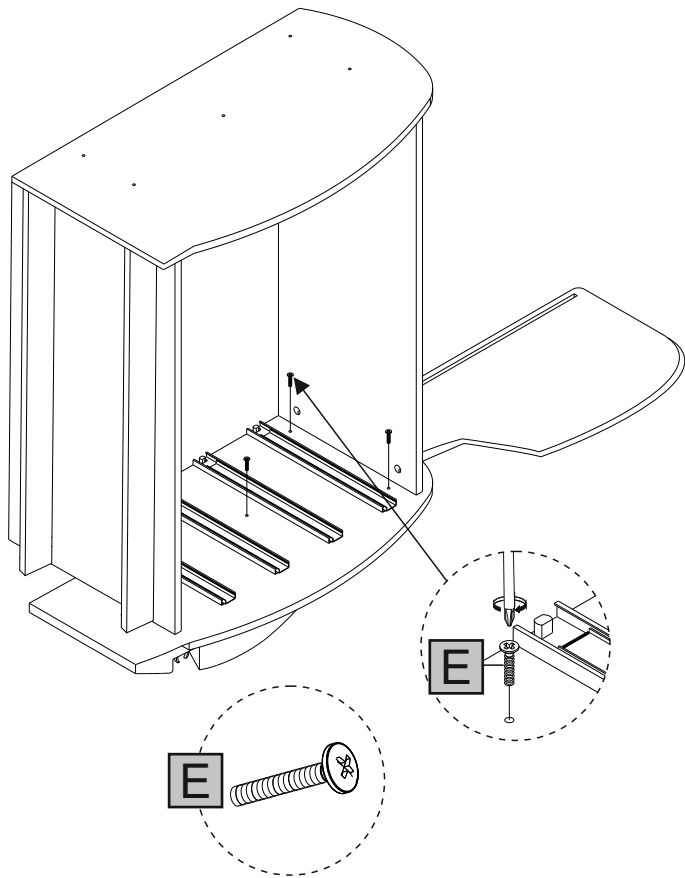
7



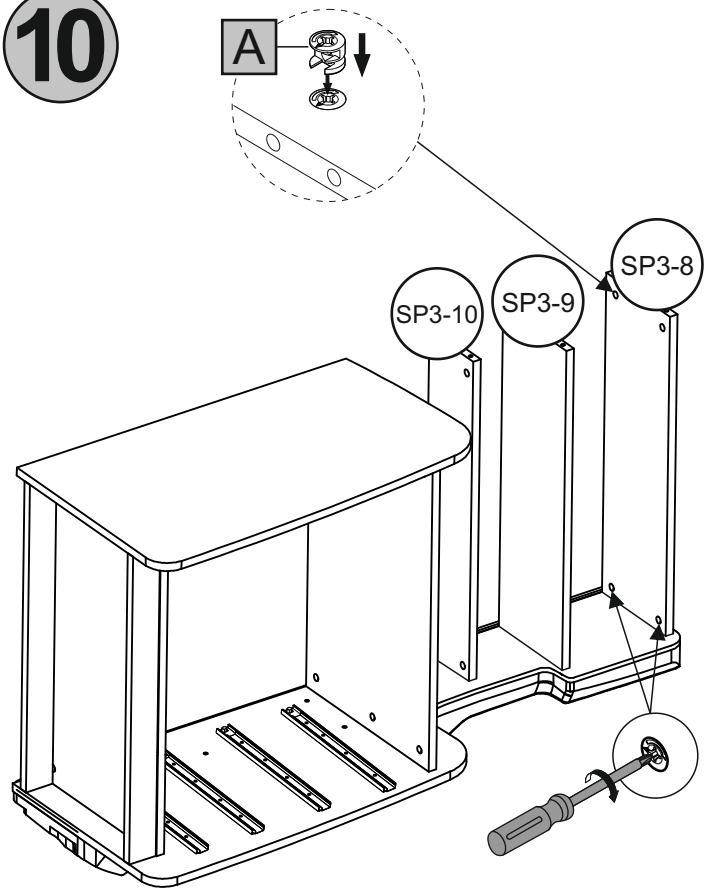
8



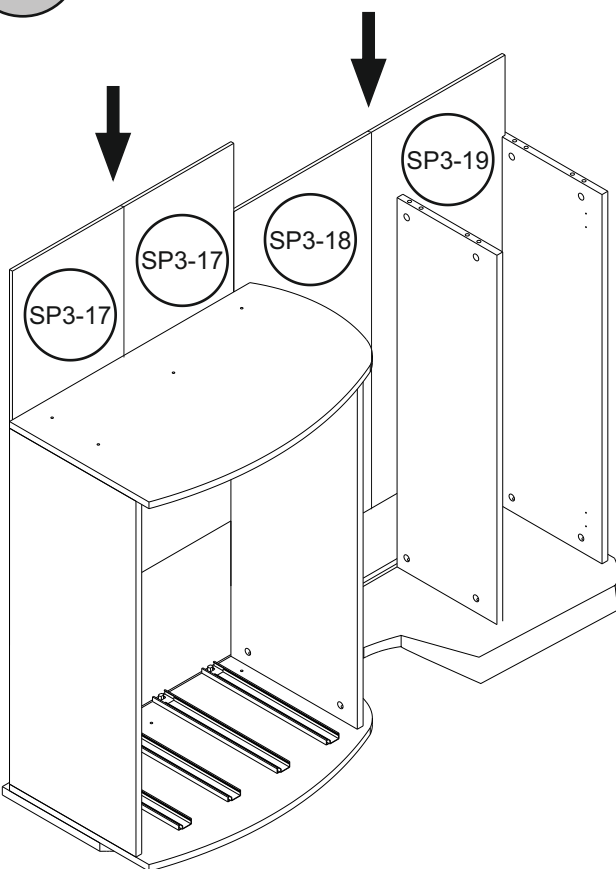
9



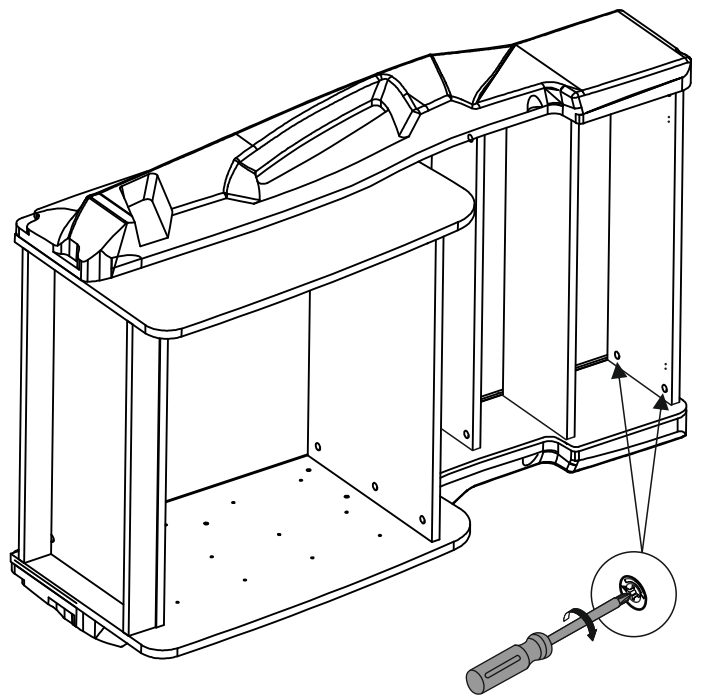
10



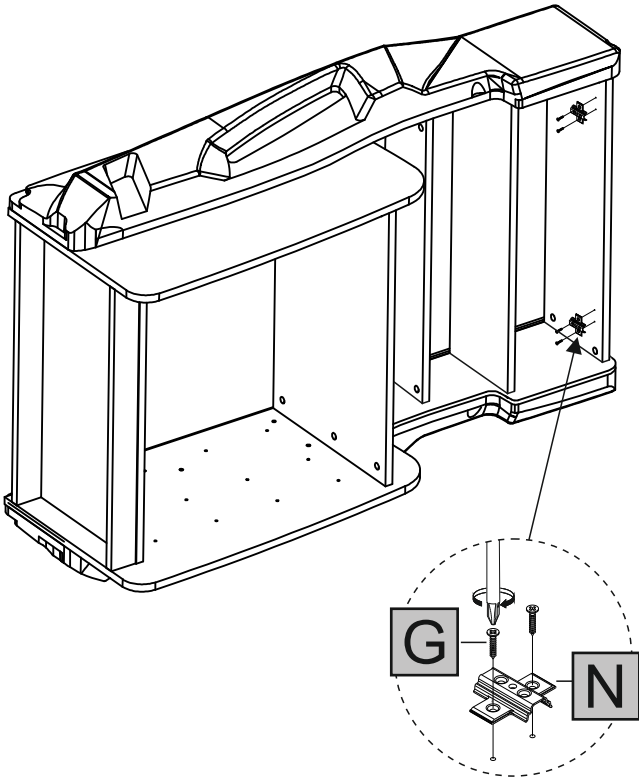
11



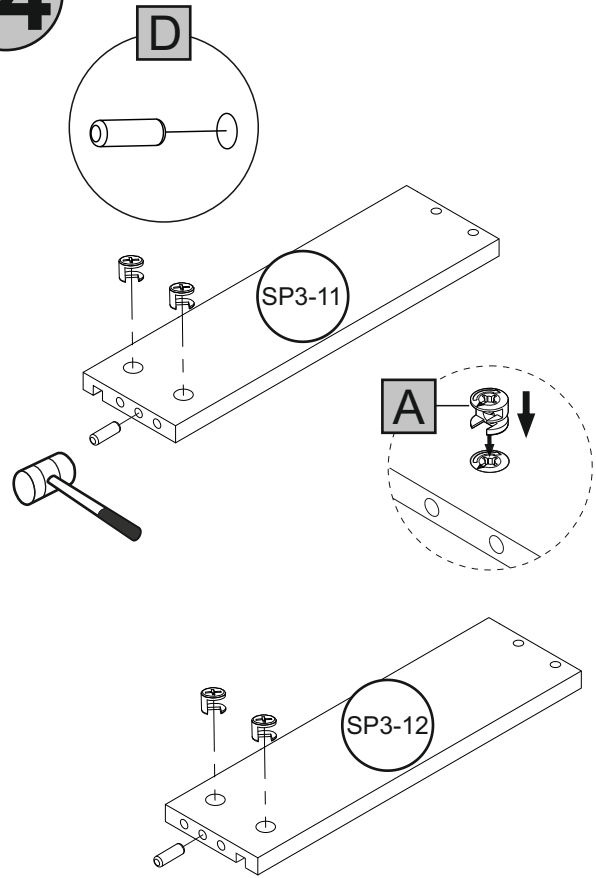
12



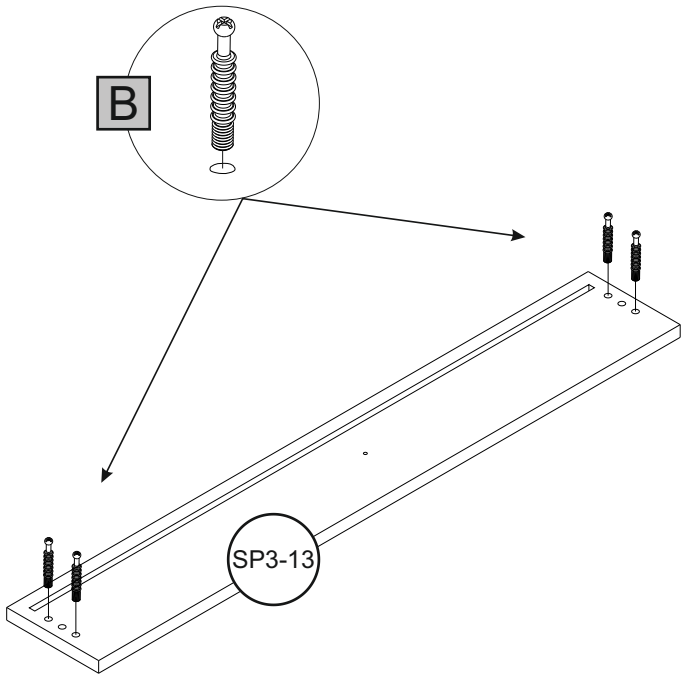
13



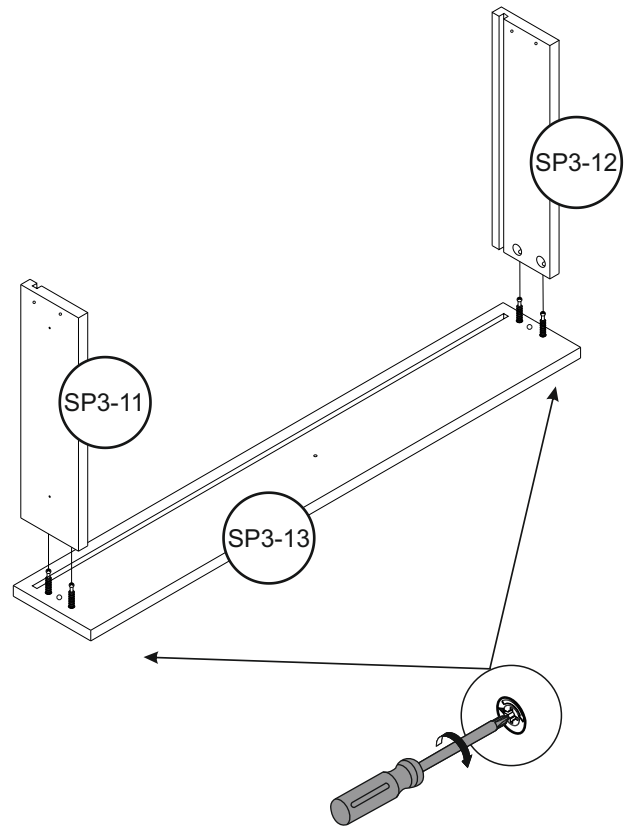
14



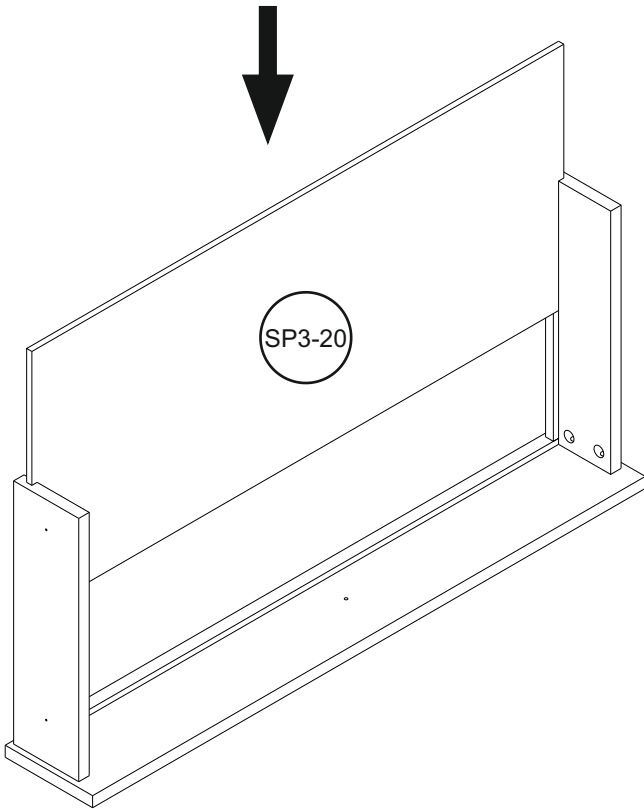
15



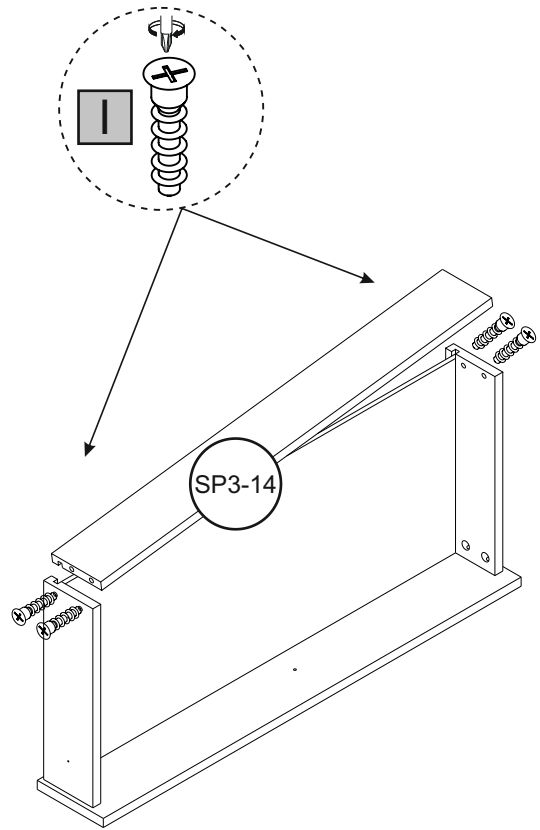
16



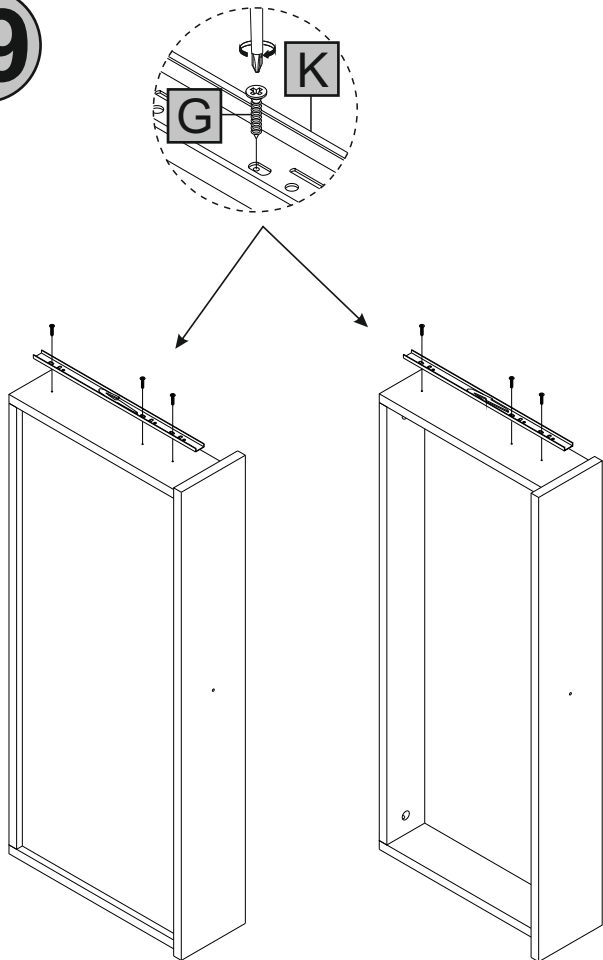
17



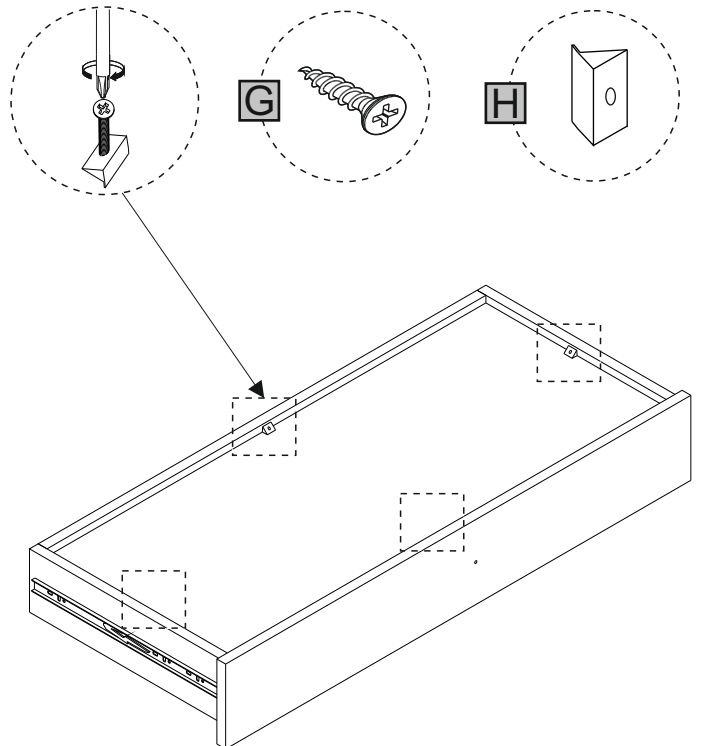
18



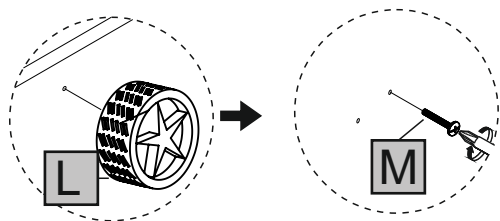
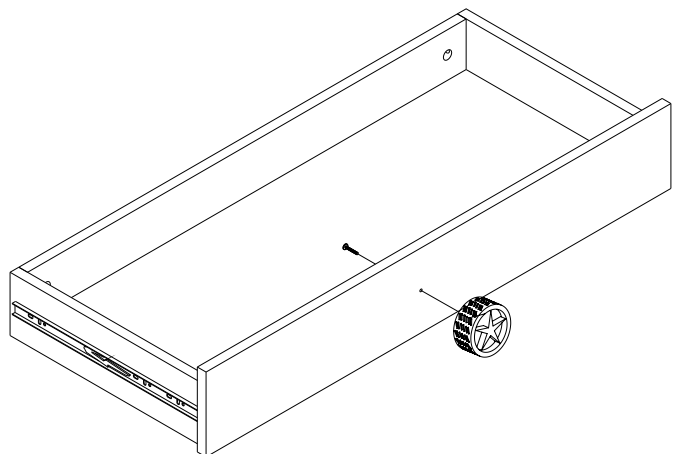
19



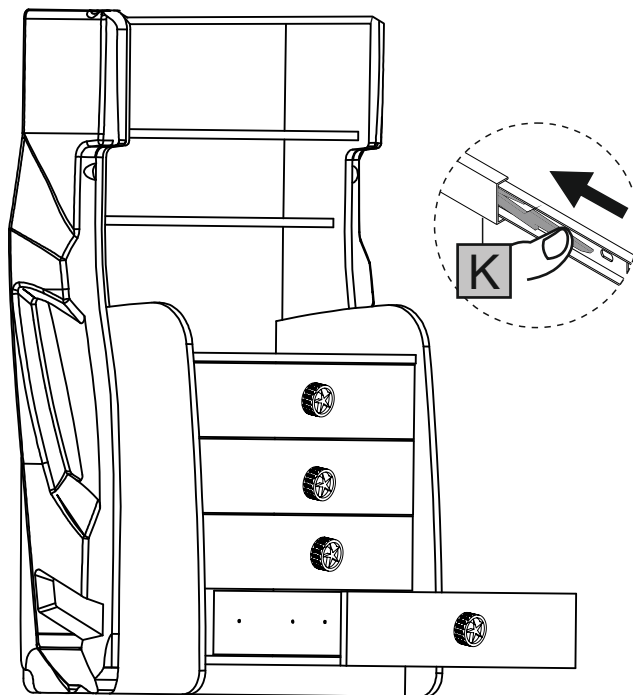
20



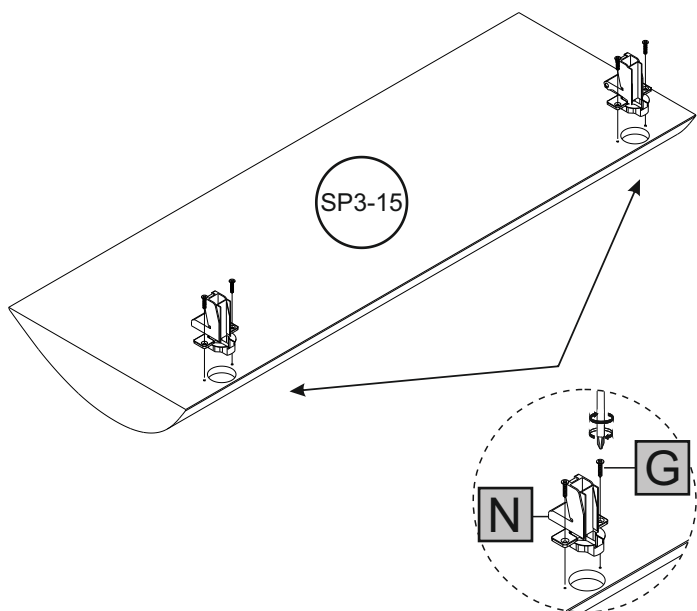
21



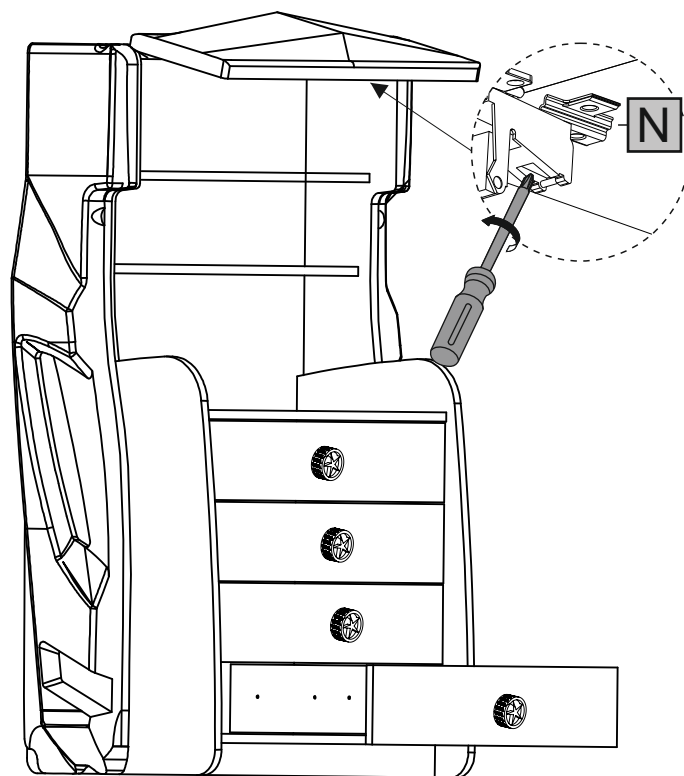
22



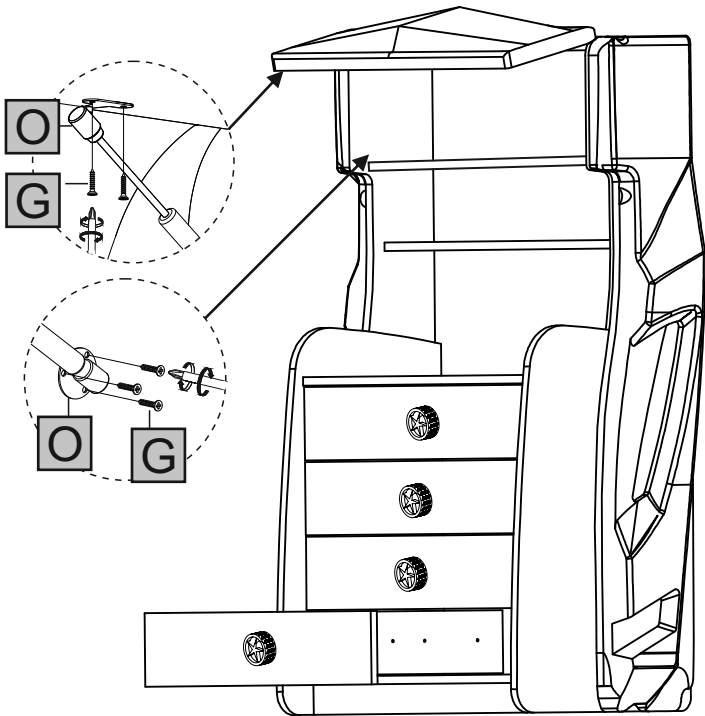
23



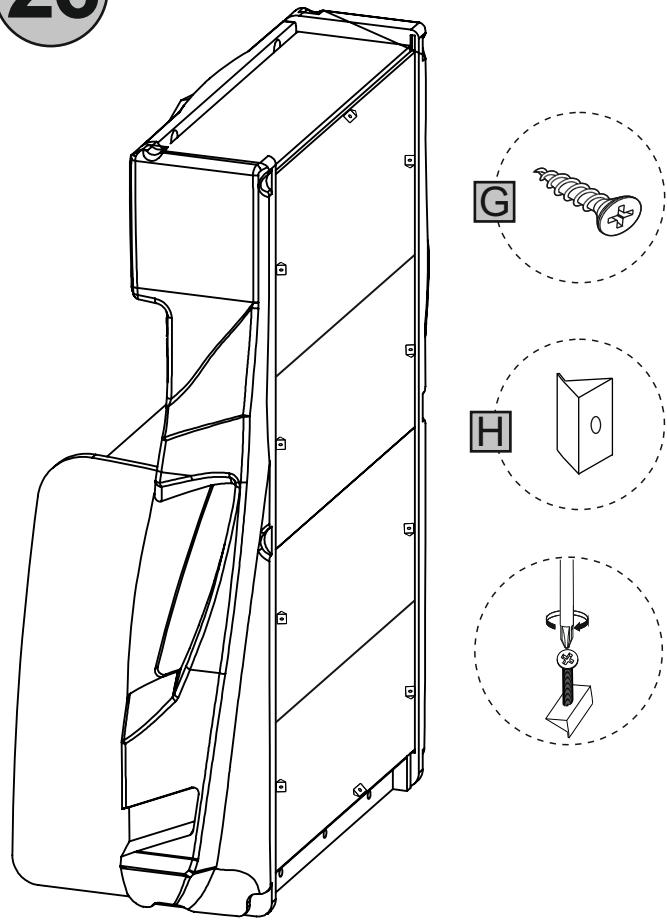
24



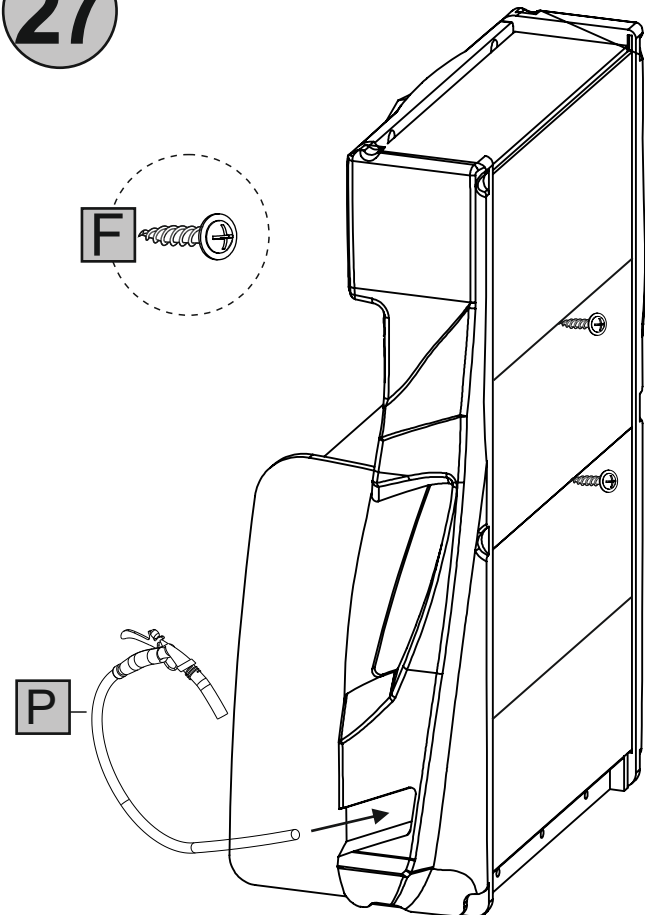
25



26



27



28

