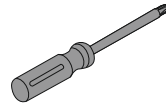
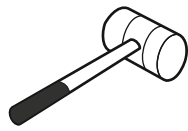
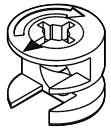
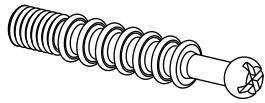
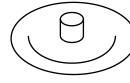
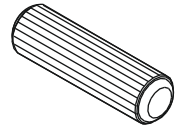
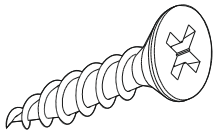
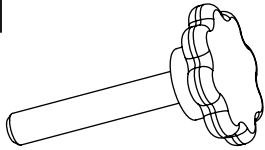
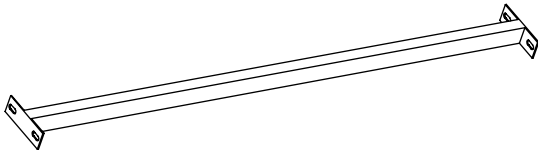


PRODUCT NAME | PINKLOVE CAR BED

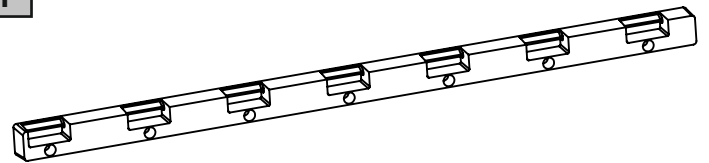
MODEL NUMBER | SLAT SYSTEM

ASSEMBLY INSTRUCTIONS



**A**MINIFIX NUT
x6 pc.**B**MINIFIX STUD
x6 pc.**C**MINIFIX WHITE
PLUG x6 pc.**D**DOWEL
x4 pc.**E**YSB SCREWS
M5x25 x28 pc.**F**BUTTERFLY BOLT
M6 x4 pc.**G**YSB SCREWS
M6x12 x4 pc.**H**

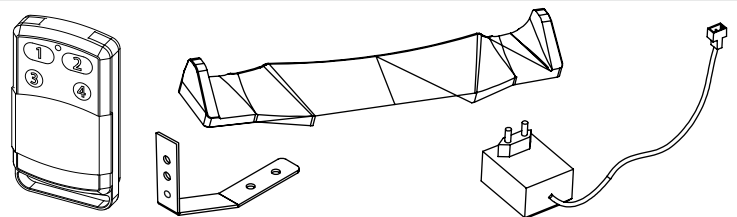
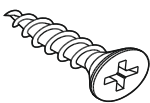
SLAT'S SUPPORT STEEL x1 pc.

I

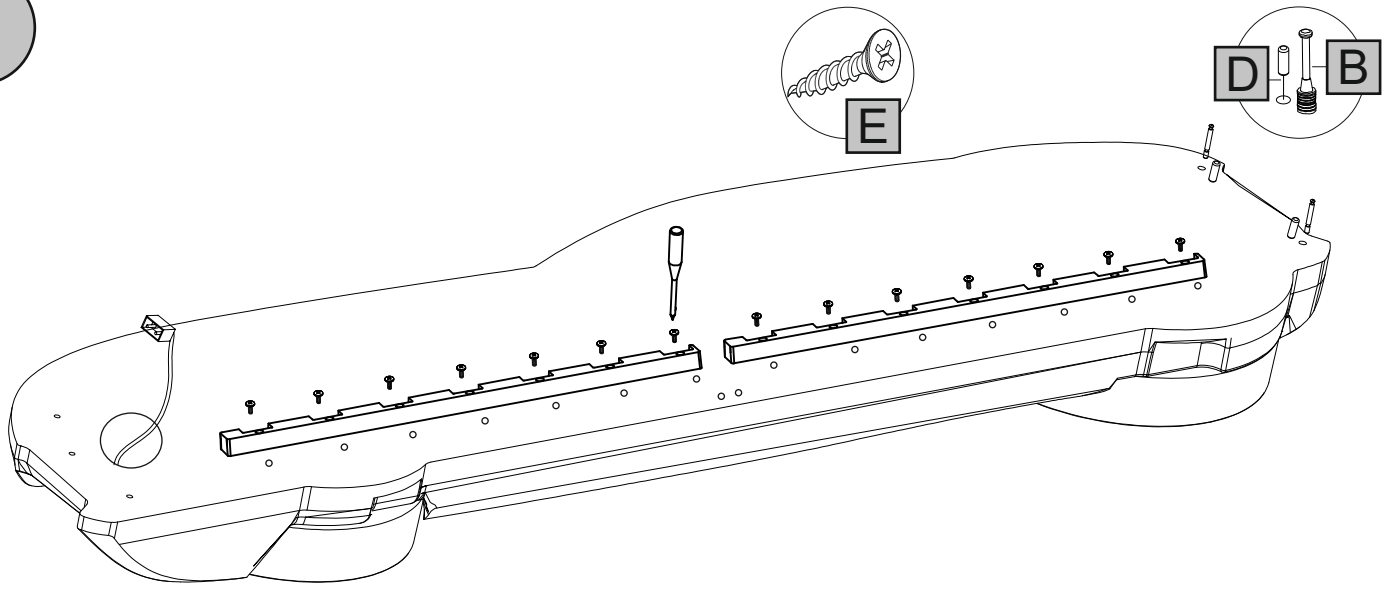
SLAT'S SUPPORT x4 pc.

K

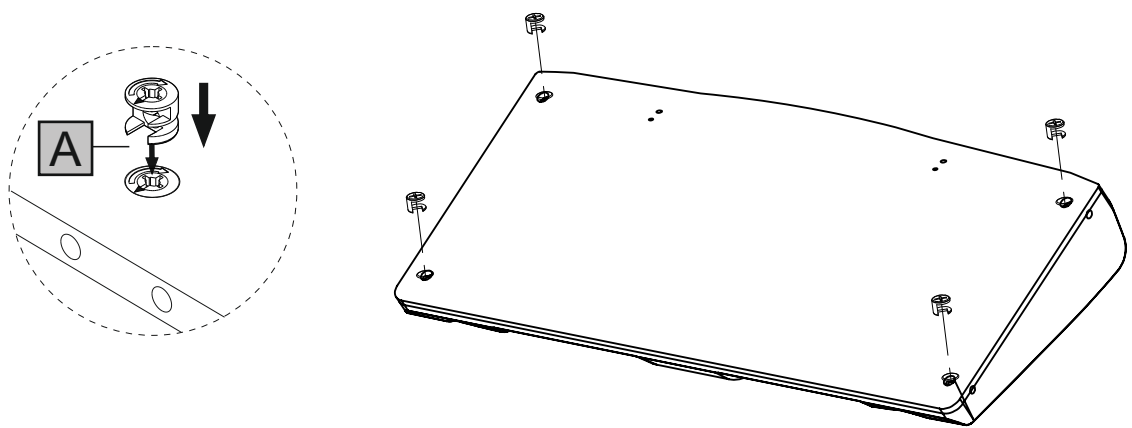
SLATS x14 pc.

SPOILER x1pc, SPOILER HOLDER x2pc,
REMOTE CONTROL x1pc, ADAPTOR x1pc**L**3x18 BACKREST
SCREW x6 pc.**M**YSB M6x12
SCREW x4 pc.

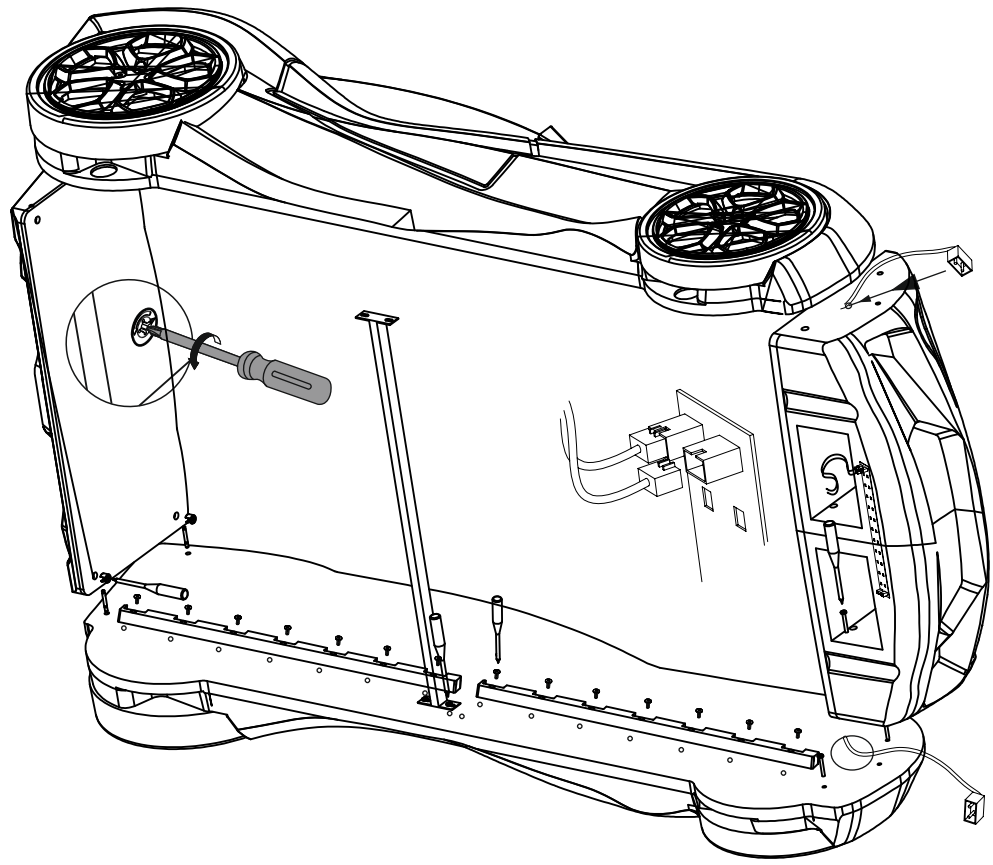
1



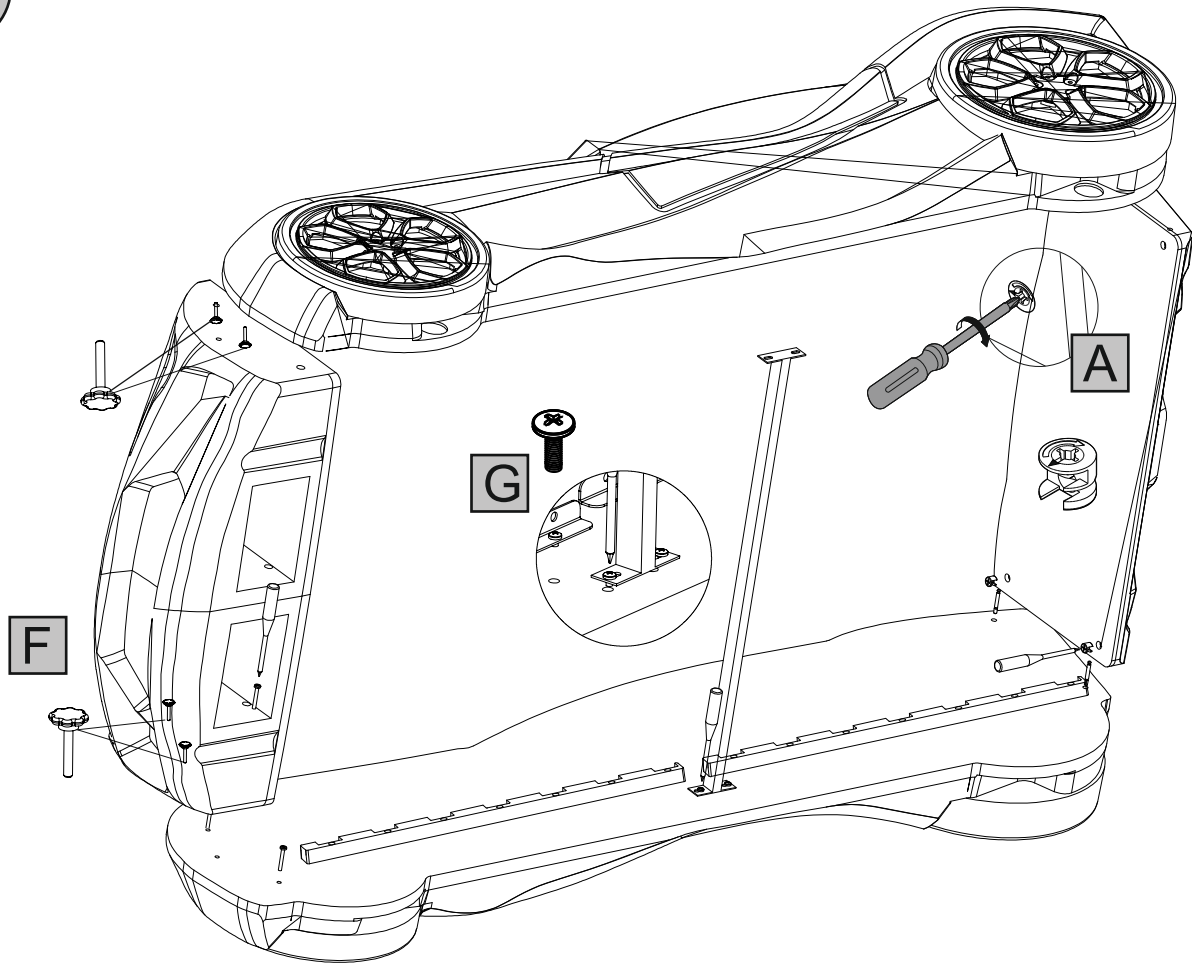
2



3



4



5

