

PRODUCT NAME

MVN3 CAR BED

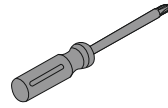
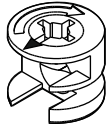
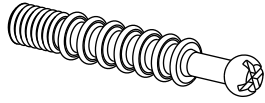
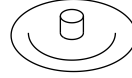
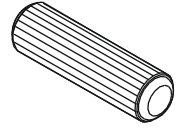
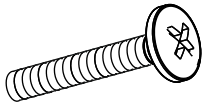
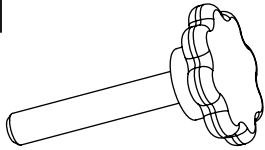
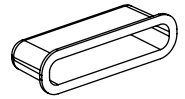
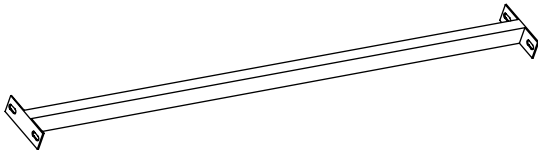
MODEL NUMBER

SLAT SYSTEM, LEATHER SEAT

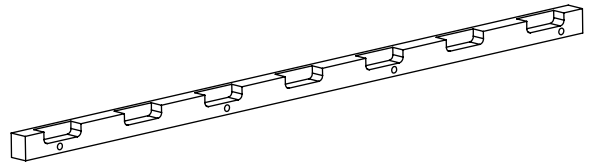
ASSEMBLY INSTRUCTIONS



PAGE: 4/1

**A**MINIFIX NUT
x4 pc.**B**MINIFIX STUD
x4 pc.**C**MINIFIX WHITE
PLUG x4 pc.**D**DOWEL
x4 pc.**E**YSB SCREWS
M6x35 x16 pc.**F**BUTTERFLY BOLT
M6 x6 pc.**G**YSB SCREWS
M6x12 x4 pc.**H**SLAT'S PLASTIC
COVER x28 pc.**I**

SLAT'S SUPPORT STEEL x1 pc.

K

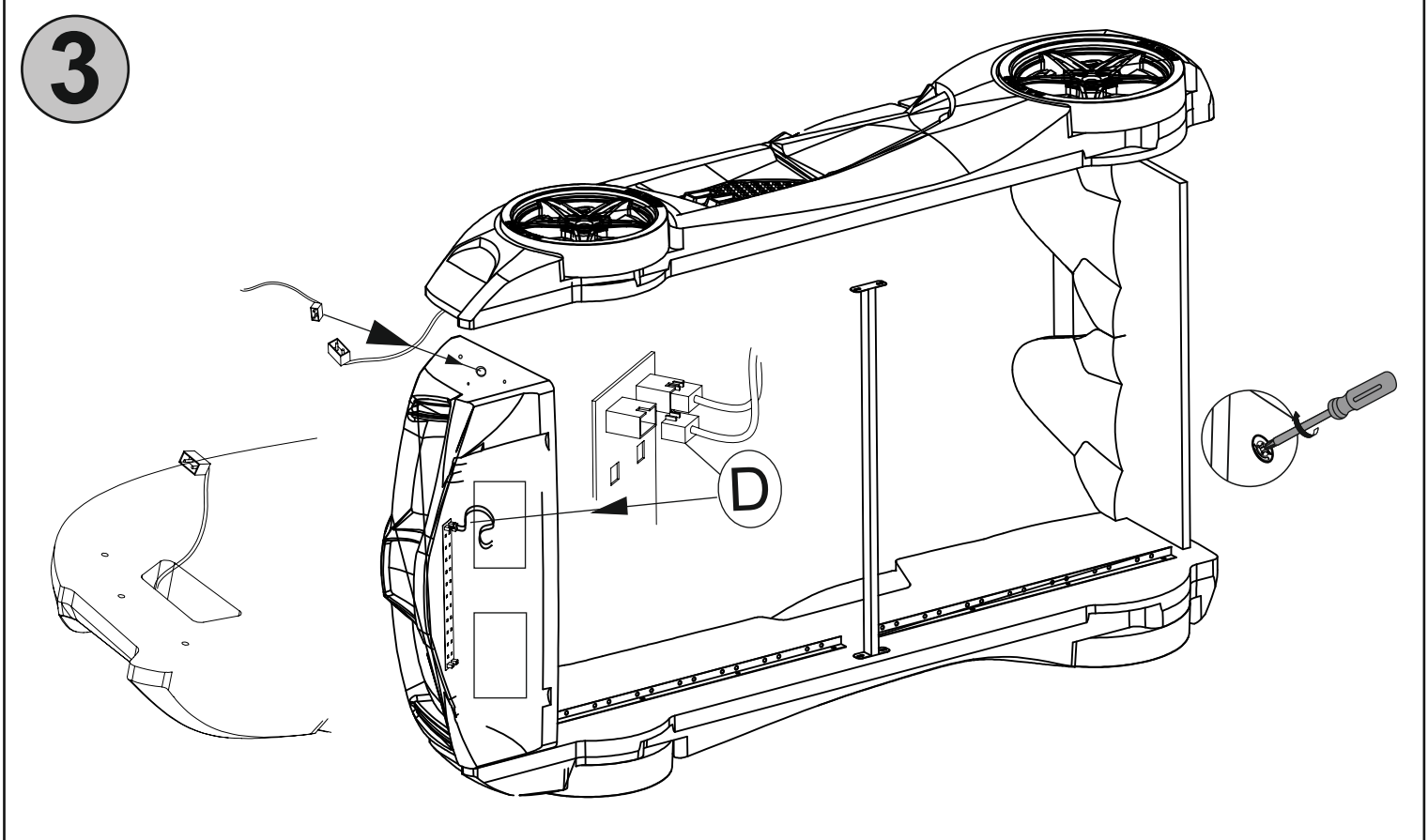
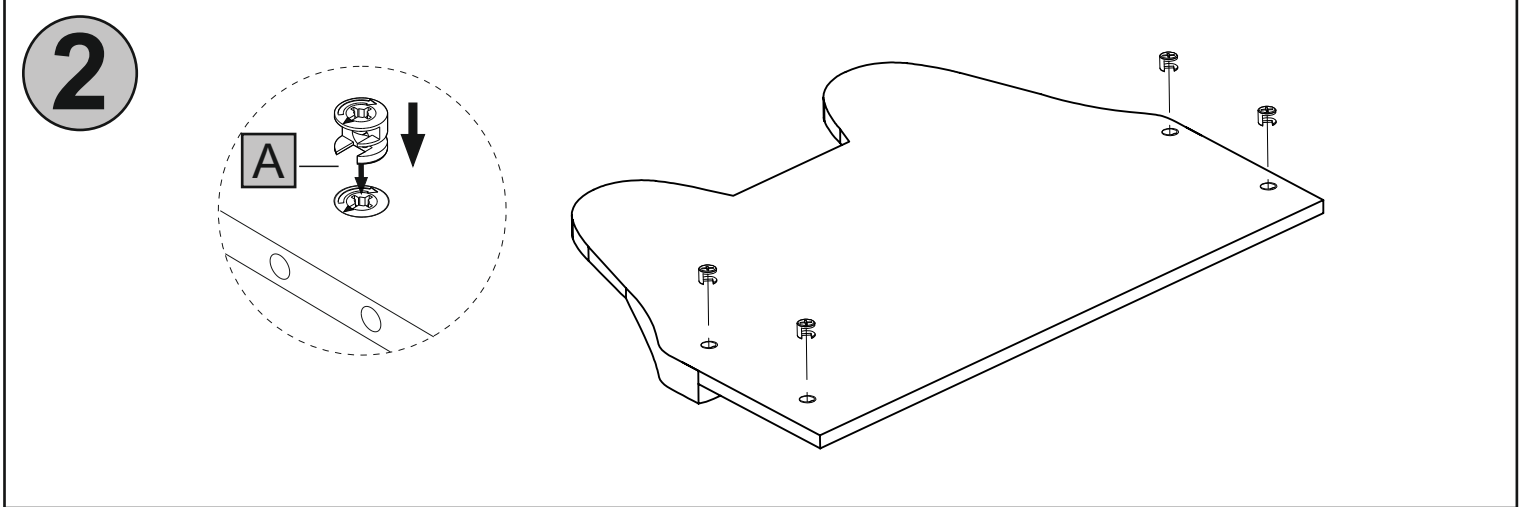
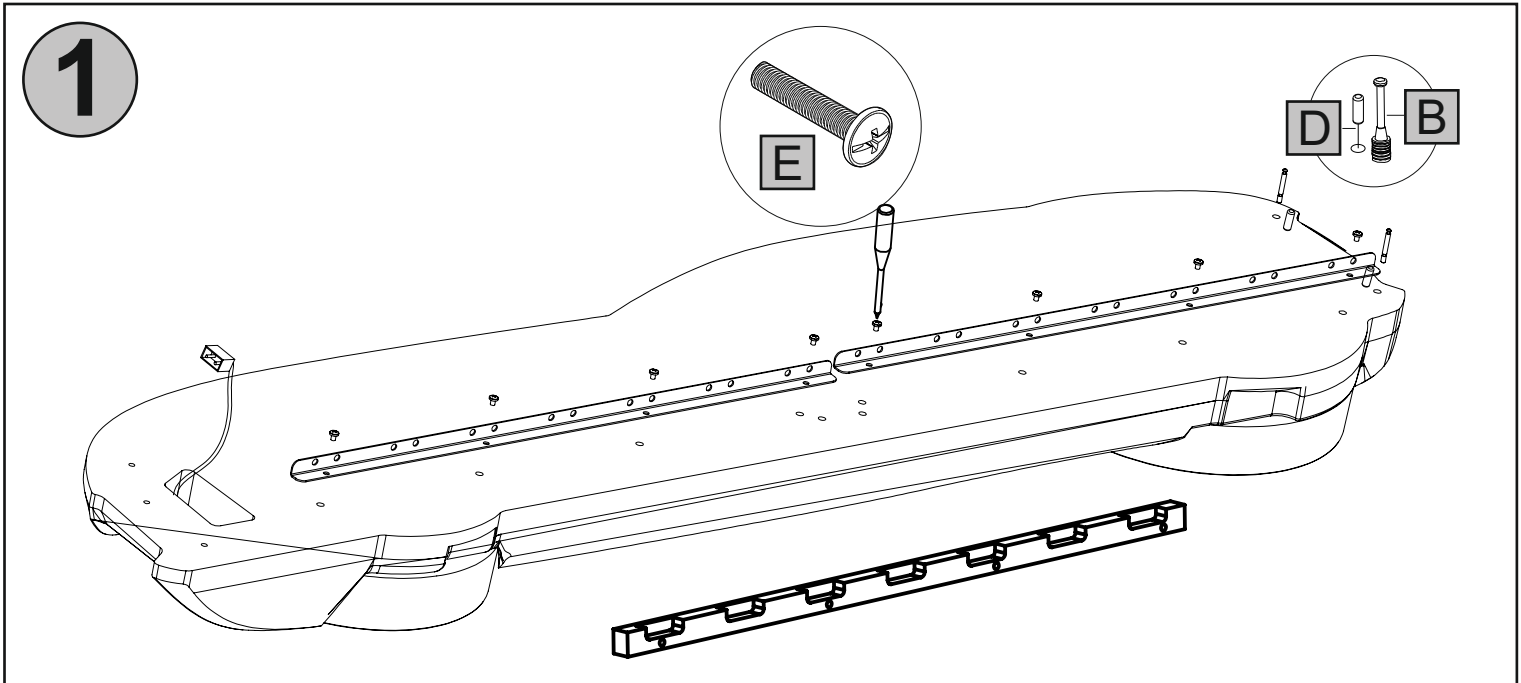
MDF SLAT'S SUPPORT x4 pc.

L

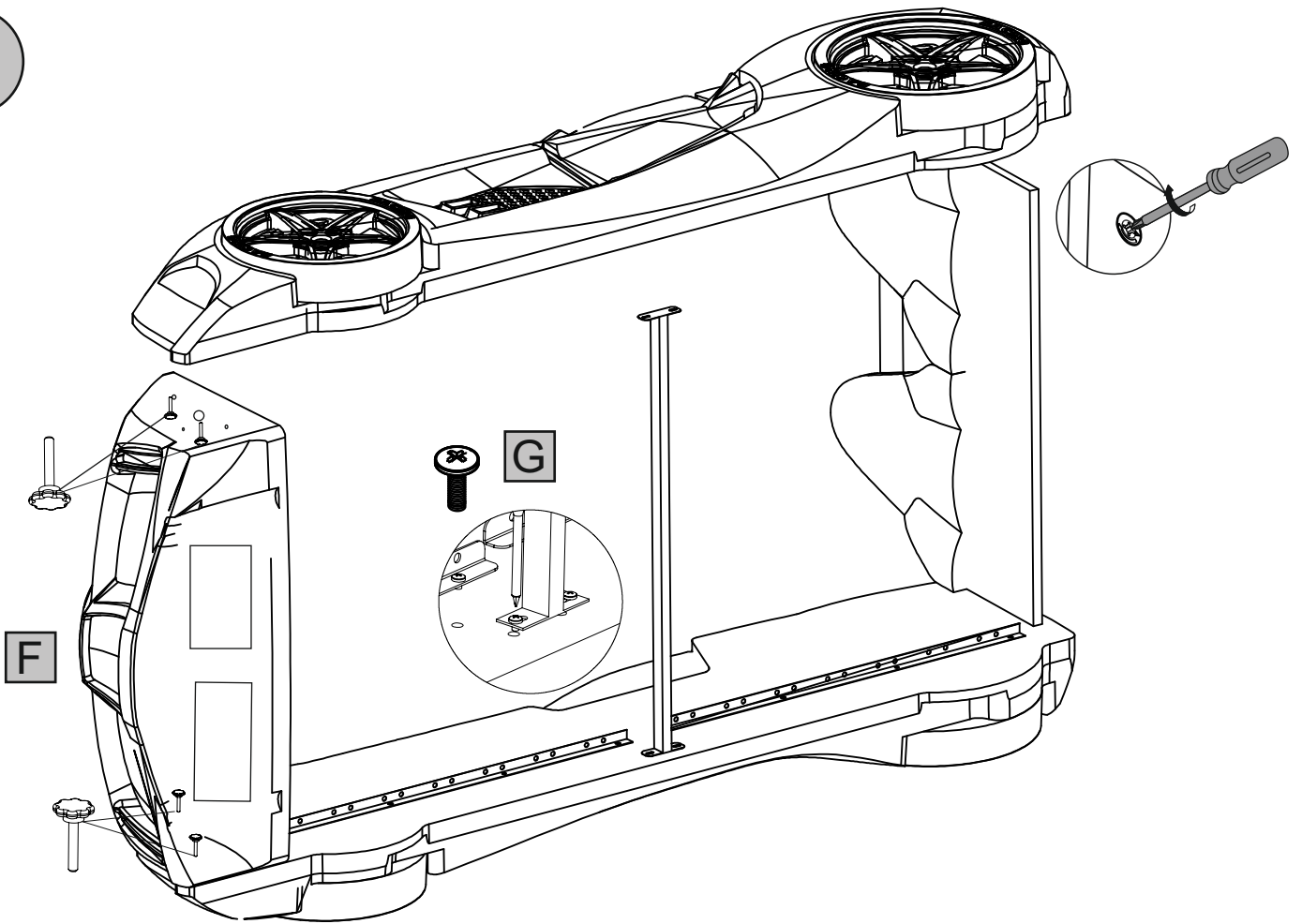
SLATS x14 pc.



REMOTE CONTROL x1pc, ADAPTOR x1pc



4



5

