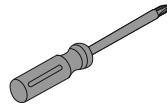


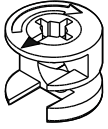
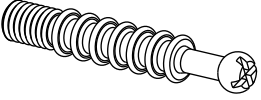
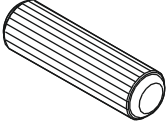
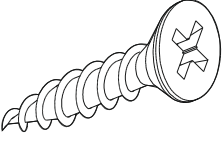
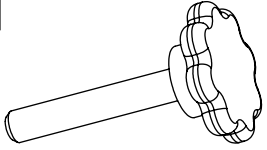
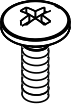
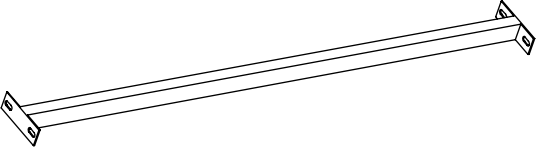
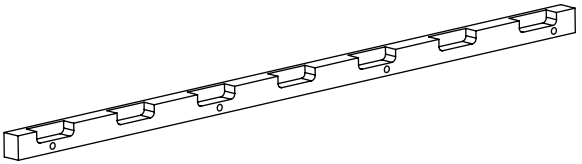

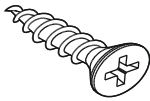
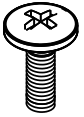
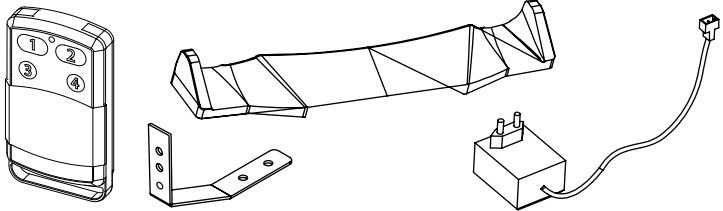
PRODUCT NAME **SPEEDY BOY CAR BED**

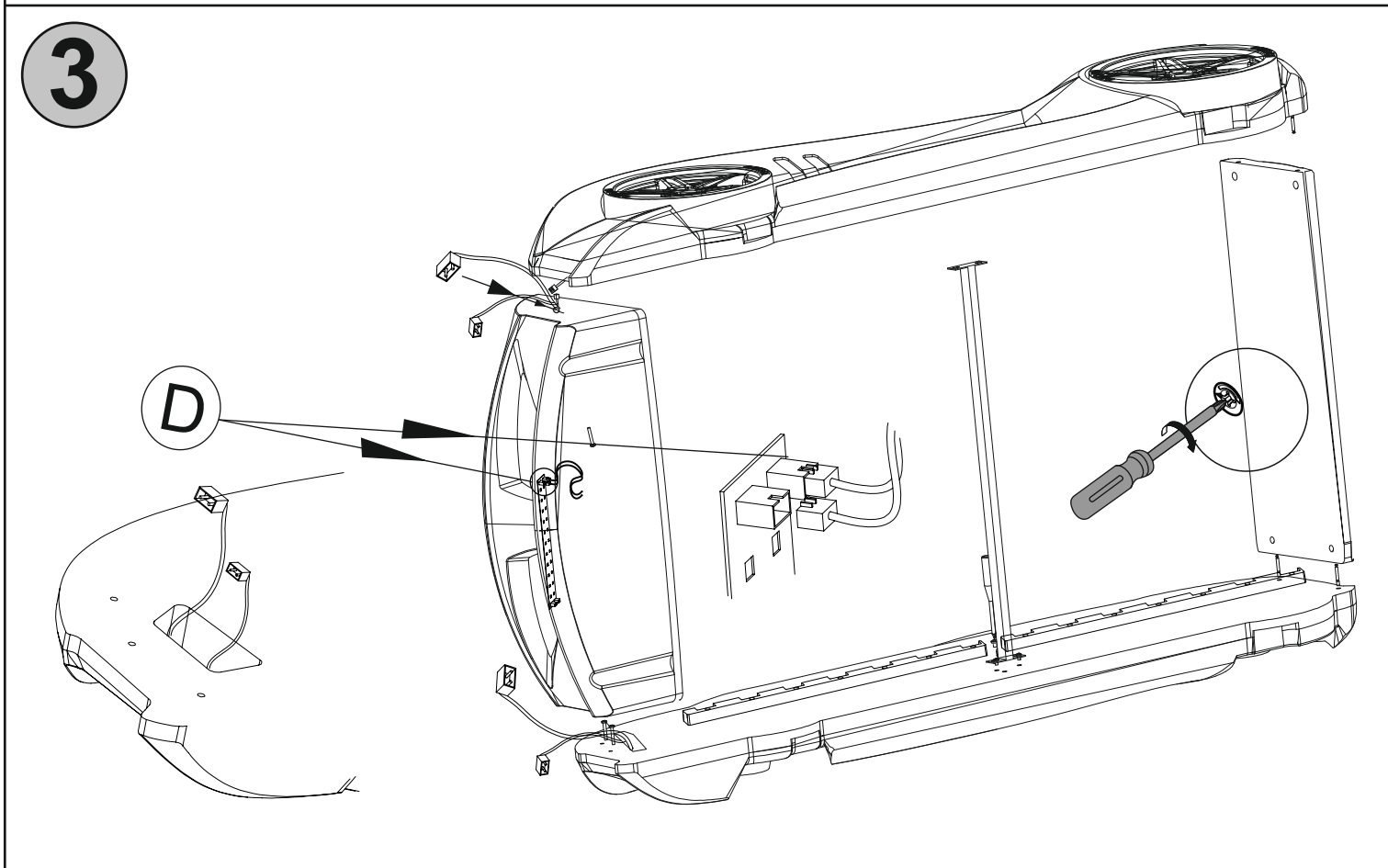
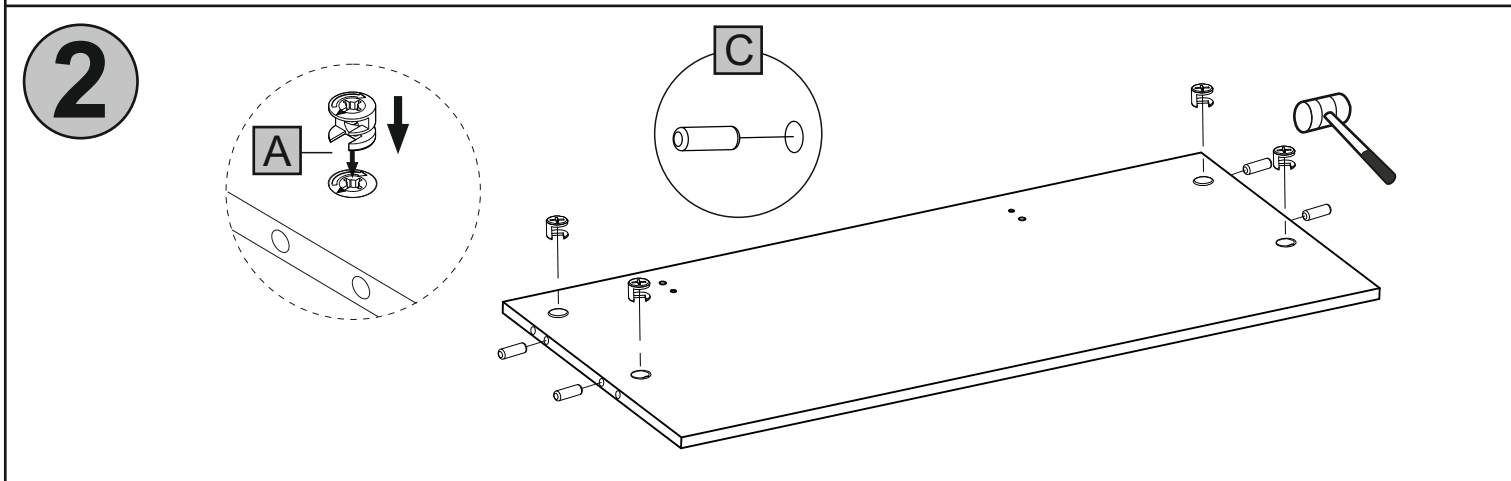
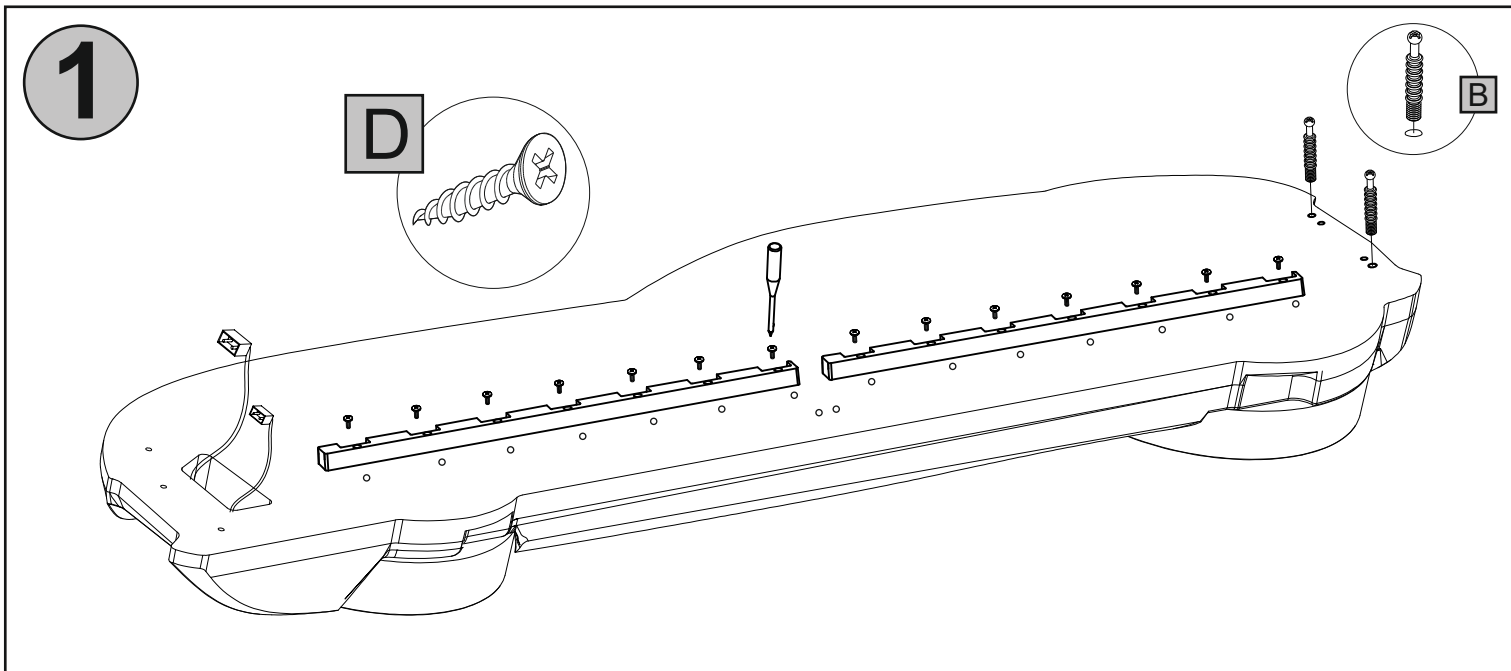
MODEL NUMBER **SLAT SYSTEM**

ASSEMBLY INSTRUCTIONS

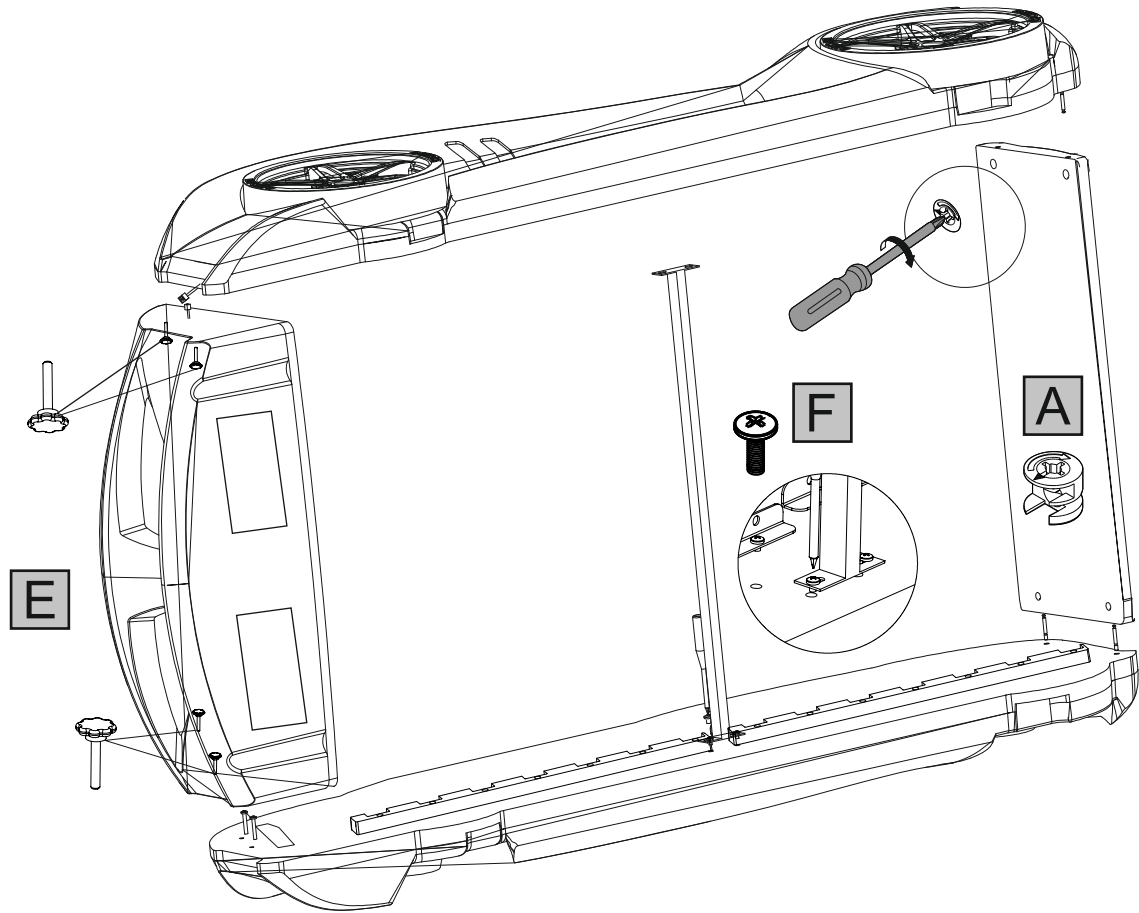




A 	B 	C 	D 
MINIFIX NUT x4 pc.	MINIFIX STUD x4 pc.	DOWEL x4 pc.	YSB SCREWS M5x30 x28 pc.
E 	F 	G 	
BUTTERFLY BOLT M6 x4 pc.	YSB SCREWS M6x12 x4 pc.	SLAT'S SUPPORT STEEL x1 pc.	
H 		I 	
SLAT'S SUPPORT x4 pc.		SLATS x14 pc.	
K 	L 		
3x18 BACKREST SCREW x6 pc.	YSB M6x12 SCREW x4 pc.	SPOILER x1pc, SPOILER HOLDER x2pc, REMOTE CONTROL x1pc, ADAPTOR x1pc	



4



5

