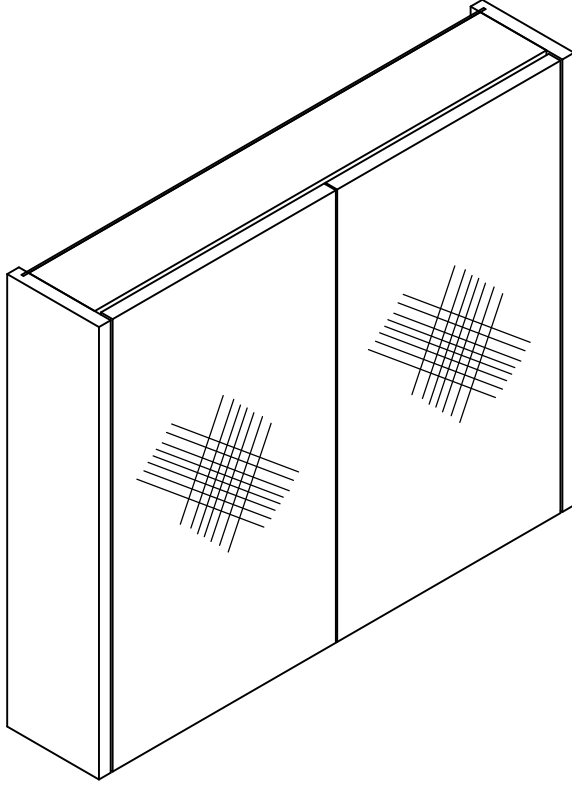
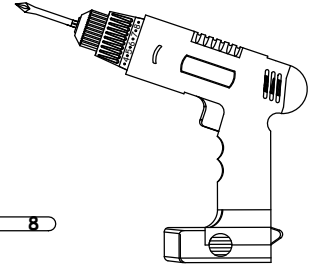
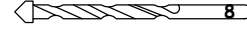
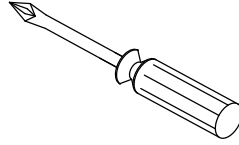
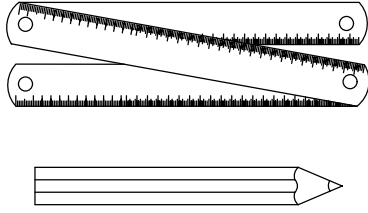


MONTAJ ŞEMASI
(MOUNTING DIAGRAM)

1	PLASTİK DÜBEL (PLASTIC PEG)		4 Ad
2	VİDA YHB 6x70 (SCREW YHB 6x70)		4 Ad
3	ASKI ELEMANI (HANGER COMPONENT)		1 TK
4	RAF PİMİ (SHELF PIN)		8 Ad
5	MİNİFİKS TİPASI (MINIFIX PLUG)		4 Ad

NOT: AKSESUAR (KULP, RAY VB.) GENEL GÖRÜNÜM AMAÇLI OLUP KATALOG GÖRÜNÜMÜNDEN FARKLI OLABİLİR.
(NOTE: ACCESSORY (HANDLE, RAIL, ETC.) IS FOR GENERAL VIEW AND MAY DIFFER FROM CATALOG VIEW)



1

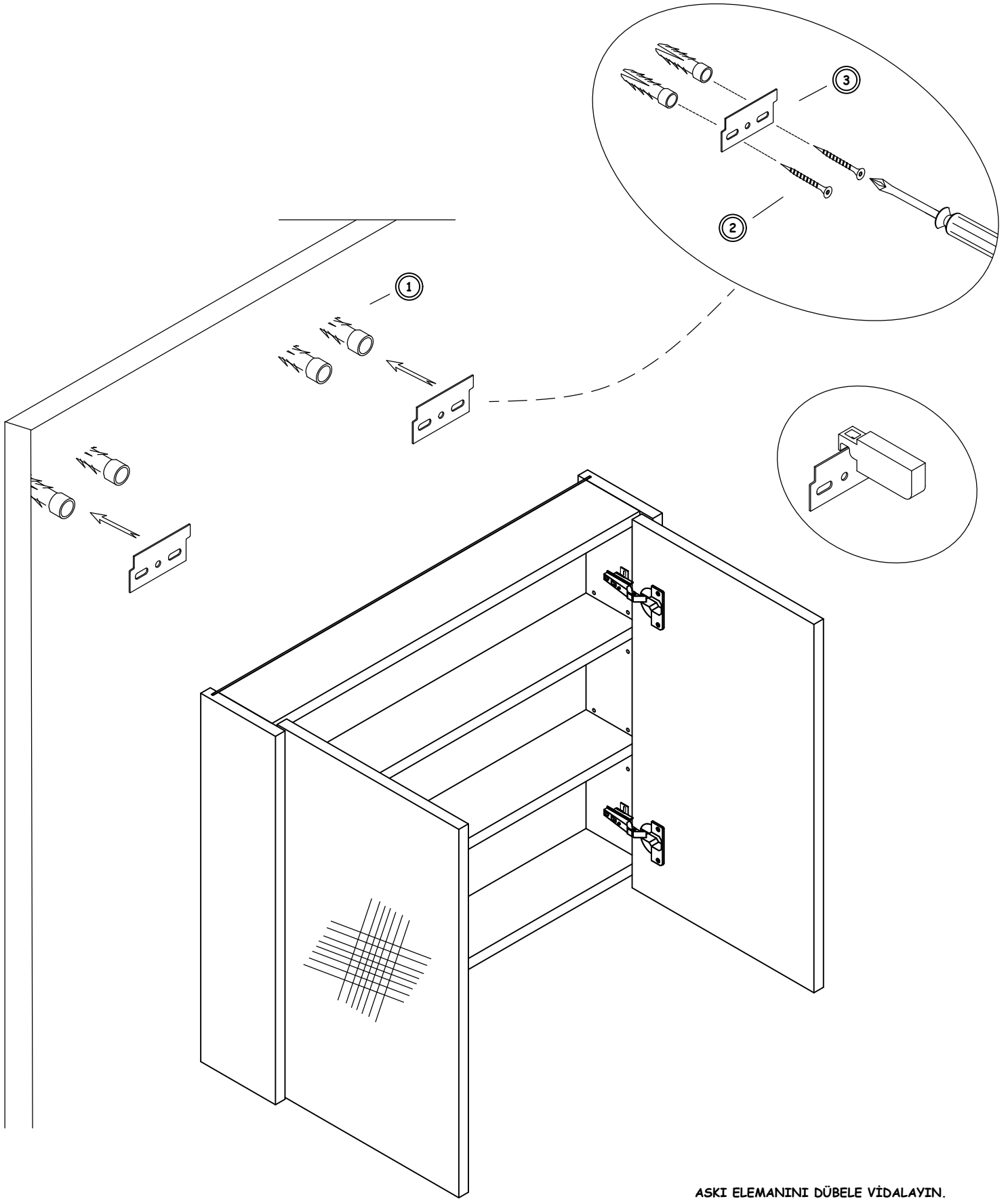
1910 mm

1

670 mm

ASKI ELEMANI İÇİN DUVAR DELİKLERİNİ
DARBELİ MATKAP İLE DELİNİZ.
DUVAR DELİKLERİNİ DELDİKTEN SONRA
DÜBELLERİ YERLEŞTİRİN.
(DRILL THE WALL HOLES FOR THE HANGER
COMPONENT WITH IMPACT DRILL. AFTER
DRILLING THE WALL HOLES, PLACE THE
PEGS.)

2



ASKI ELEMANINI DÜBELE VİDALAYIN.
DAHA SONRA DOLAP İÇİNDEKİ KANCALI
KISIMDAN ASKI ELEMANINA ASIN.
(SCREW THE HANGER COMPONENT TO THE
ANCHER. THEN HANG THE HANGER FROM
THE HOOKED PART IN THE CABINET.)