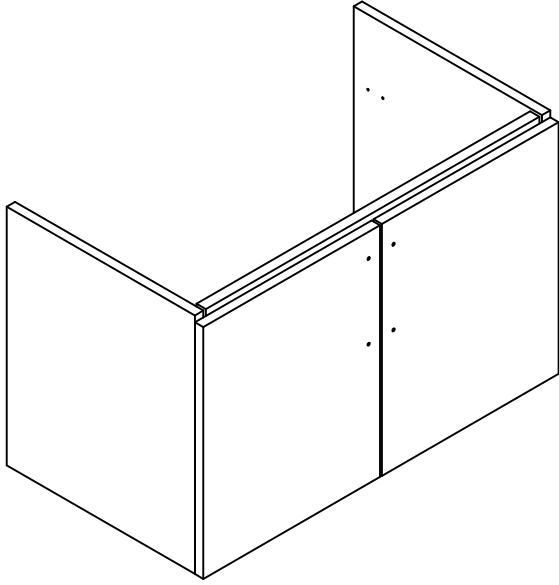
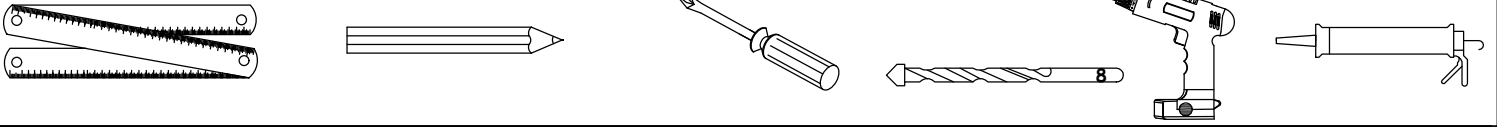
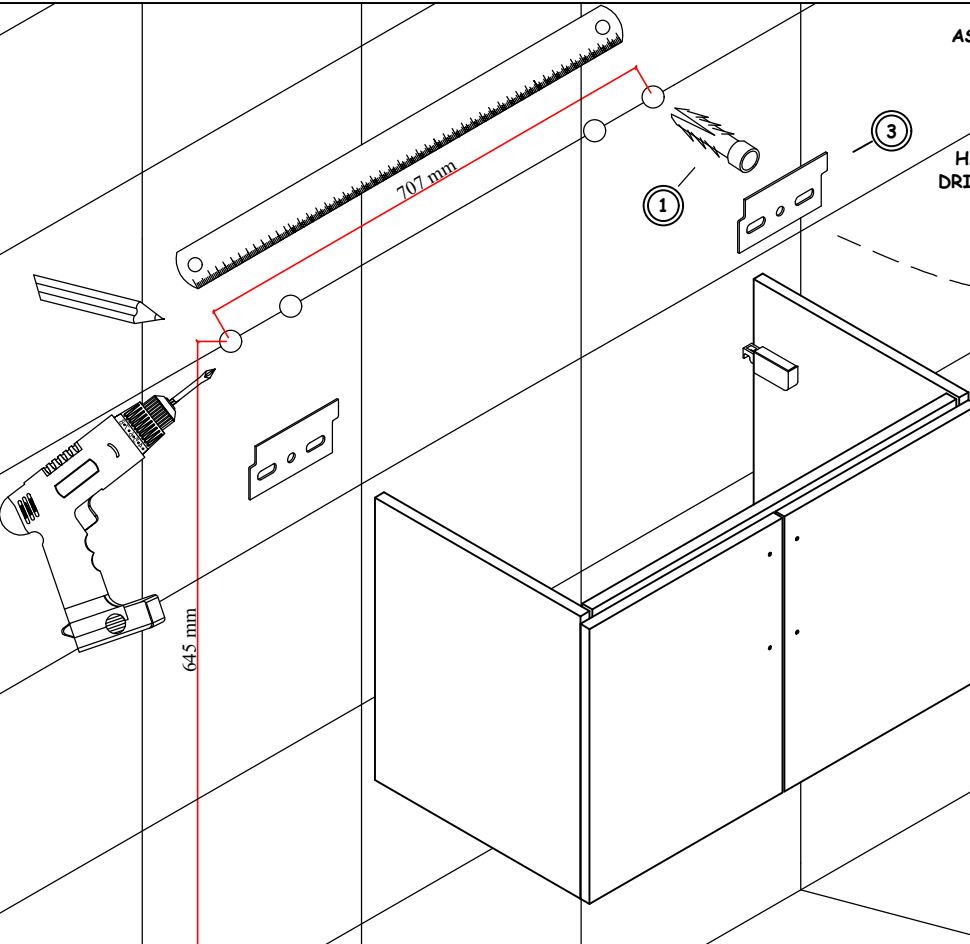


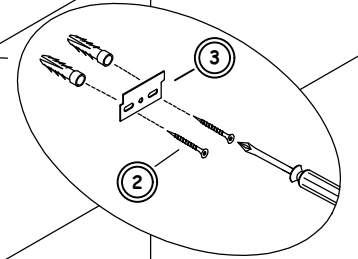
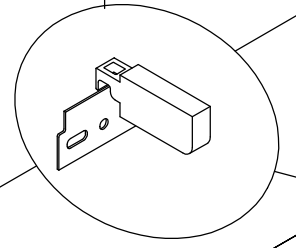
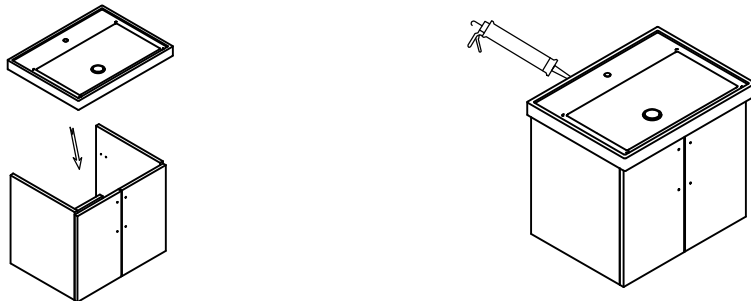
**MONTAJ ŞEMASI
(MOUNTING DIAGRAM)**


1	PLASTİK DÜBEL (PLASTIC PEG)		4 Ad
2	VİDA YHB 6x70 (SCREW YHB 6x70)		4 Ad
3	ASKI ELEMANI (HANGER COMPONENT)		1 TK
4	MİNİFİKS TİPASI (MINIFIX PLUG)		6 Ad
5	KULP (HANDLE)		2 Ad
6	KULP VİDASI (HANDLE SCREW)		4 Ad

NOT: AKSESUAR (KULP, RAY VB.) GENEL GÖRÜNÜM AMAÇLI OLUP KATALOG GÖRÜNÜMÜNDEN FARKLI OLABİLİR.
(NOTE: ACCESSORY (HANDLE, RAIL, ETC.) IS FOR GENERAL VIEW AND MAY DIFFER FROM CATALOG VIEW)


1


ASKI ELEMANI İÇİN DUVAR DELİKLERİNİ DARBELİ MATKAP İLE DELİNİZ. DUVAR DELİKLERİNİ DELDİKTEN SONRA DÜBELLERİ YERLEŞTİRİN.
(DRILL THE WALL HOLES FOR THE HANGER COMPONENT WITH IMPACT DRILL. AFTER DRILLING THE WALL HOLES, PLACE THE PEGS. SCREW THE HANGER COMPONENT TO THE ANCHOR)

3

2

2


DOLABI ASIP LAVABOYU YERLEŞTİRDİKTEN SONRA LAVABO İLE FAYANS ARASINA SİLİKON SIKILMASI TAVSİYE EDİLİR.
(IT IS RECOMMENDED TO APPLY SILICONE BETWEEN THE SINK AND THE TILE AFTER PLACING THE SINK.)